

alcea

Alkatrész katalógus 2022/2023 **Szaniter berendezés**

Érvényes 2022.10.01-től

TARTOZÉKOK

| | |
|--|---|
| Tartozékok mosdó és mosogató szifonokhoz | 4 |
| WC ülőkék | 4 |
| Csavar komplett | 4 |
| Tömítés kombi WC-hez | 4 |
| Tartozékok a töltő és öblítő szelepek | 4 |
| Tartozékok a kádszifonokhoz | 5 |
| Tartozékok a zuhanytálca szifonokhoz | 5 |
| Mandzsetta betét | 5 |

FALSÍK ALATTI SZERELÉSI RENDSZEREK

| | |
|--|----|
| GYÁRTÁS 2017-től AM112, AM112W | 6 |
| GYÁRTÁS 2005–2017 A112 | 7 |
| GYÁRTÁS 2017-től AM100/850, AM100/1000, AM100/1000E | 8 |
| GYÁRTÁS 2005–2017 A100/850, A100/1000, A100/1000E | 9 |
| AM115/1000, AM115/1000E, AM115/1000V | 10 |
| GYÁRTÁS Q3/2020-től | 11 |
| AM101/850, AM102/850, AM101/1000, AM101/1120, AM101/850W, AM102/1000, AM102/1120, AM101/1120D, AM101/1120E, AM101/1120V, AM101/1120W, AM102/1120E, AM102/1120V, AM120/1120 | |
| GYÁRTÁS 2017–2020 | 12 |
| AM101/850, AM102/850, AM101/1000, AM101/1120, AM102/1000, AM102/1120, AM101/1120D, AM101/1120E, AM101/1120V, AM101/1120W, AM102/1120E, AM102/1120V | |
| GYÁRTÁS 2005–2017 | 13 |
| A101/850, A102/850, A101/1000, A101/1200, A102/1000, A102/1200, A101/1200D, A101/1200E, A101/1200V, A102/1200E, A102/1200V | |
| AM116/1120 | 14 |
| GYÁRTÁS Q3/2020-től AM119/850/1000 | 15 |
| GYÁRTÁS 2019-től AM119/850/1000 | 16 |
| GYÁRTÁS Q3/2020-től AM118/850/1000 | 17 |
| GYÁRTÁS 2019-től AM118/850/1000 | 18 |
| AM1112 Slim | 19 |
| AM1115/1000 Slim | 20 |
| GYÁRTÁS Q3/2020-től AM1101/1200 Slim | 21 |
| GYÁRTÁS 2017–2020 AM1101/1200 Slim | 22 |
| GYÁRTÁS 2005–2017 A1101/1200 Slim, A1101B/1200 Slim | 23 |
| A115/1000, A115/1000E, A115/1000V | 24 |
| A116/1200 | 25 |
| A1112B Slim | 26 |
| A1115/1000 Slim, A1115B/1000 Slim | 27 |
| GYÁRTÁS Q3/2020-től A108F | 28 |
| GYÁRTÁS 2015–2020 A108F | 29 |

A BERENDEZÉSEK SZERELŐKERETEI

| | |
|-------------------------------------|----|
| A104, A104A, A104B, A104PB, A104AVS | 30 |
| A105 | 31 |
| A107, A107S | 32 |
| A108 | 33 |
| A113, A114, A114S | 34 |
| A117B | 35 |
| A117PB | 36 |

NYOMÓLAPOK ÉS SENZOR PROGRAM

| | |
|---|----|
| M770–M776, M670–M676, M570–M576 | 37 |
| AIR, FUN, TURN, STING, STRIPE, AIR LIGHT, AIR LIGHT R | 38 |
| M1710–M1745 | 39 |
| M70–M75, M170–M175, M270–M275 | 40 |
| M370–M375, M470–M475, M1370–M1375 | |
| ASP3 | 41 |
| ASP4 | 42 |

FELTÖLTŐ SZELEP

| | |
|---------------------------------------|----|
| GYÁRTÁS Q2/2021-től A150, A160 | 43 |
| A15, A16 | 44 |
| A17, A18 | 44 |
| A11, A13, CH11, CH11P | 45 |
| A12, A14 | 45 |

ÖBLÍTŐSZELEP

| | |
|----------------|----|
| A05, A2000 | 46 |
| A08, A08A | 47 |
| A06, A06E | 48 |
| A09A, A09B | 49 |
| A02, A03, A03A | 50 |
| A07 | 51 |

MŰANYAG WC TARTÁLYOK

| | |
|----------|----|
| A93, A94 | 52 |
|----------|----|

WC ÜLŐKÉK

| | |
|--|----|
| A60, A601, A602, A603, A604, A606, A674S | 53 |
|--|----|

ZUHANYFOLYÓKÁK

| | |
|---|----|
| APZ1, APZ101 Low, APZ1001, APZ1101 Low, APZ101BLACK Low | 54 |
| APZ4 Flexible, APZ1004 Flexible, APZ104 Flexible Low, APZ1104 Flexible Low | 54 |
| APZ6 Professional, APZ1006 Professional, APZ106 Professional Low, APZ1106 Professional Low | 55 |
| APZ16 Wall, APZ1016 Wall, APZ116 Wall Low, APZ1116 Wall Low | 55 |
| APZ15 Marble, APZ15 Marble Low | 56 |
| APZ13 Modular, APZ13 Fit and Go, APZ23 Modular Wall, APZ23 Fit and Go Wall | 57 |
| APZ5 Spa | 58 |
| APZ11 Antivandal, APZ1011 Antivandal, APZ111 Antivandal Low, APZ1111 Antivandal Low | 58 |
| ARZ1 | 59 |
| APZ8 Simple, APZ9 Simple, APZ10 Simple, APZ10BLACK Simple, APZ10BLACK-BRASS, APZ18 Simple, APZ30 Wall | 60 |
| APZ12 Optimal, APZ22 Optimal | 61 |
| APZ2012 Optimal, APZ2022 Optimal | 62 |

KÜLTÉRI VÍZELVEZETÉS

| | |
|--|----|
| AVZ112-R102, AVZ112-R501 | 63 |
| AVZ101-R101, AVZ102-R102, AVZ102-R103, AVZ103-R104, AVZ103-R201, AVZ103-R202, AVZ103-R403, AVZ104-R401, AVZ104-R402 | 64 |
| AVZ103R-R201, AVZ103R-R202, AVZ103R-R403, AVZ104R-R401, AVZ104R-R402, AVZ101R-R101S, AVZ101R-R121R, AVZ101R-R122R, AVZ101R-R123R, AVZ101R-R124R, AVZ101R-R321R, AVZ101R-R322R, AVZ101R-R323R, AVZ101R-R324R, AVZ102R-R102S, AVZ102R-R103S, AVZ103R-R104S | 65 |
| AVZ101-R121, AVZ101-R122, AVZ101-R123, AVZ101-R124, AVZ101-R321, AVZ101-R322, AVZ101-R323, AVZ101-R324, AVZ101S-R121R, AVZ101S-R122R, AVZ101S-R123R, AVZ101S-R124R, AVZ101S-R321R, AVZ101S-R322R, AVZ101S-R323R, AVZ101S-R324R | 66 |

UNIVERZÁLIS CSAPADÉKVÍZ ELVEZETŐ

| | |
|------------------------|----|
| AGV1, AGV2, AGV3, AGV4 | 67 |
|------------------------|----|

PADLÓÖSSZEFOLYÓK

| | |
|---|----|
| APV110, APV120, APV130 | 68 |
| APV1, APV2, APV3, APV31, APV32, APV101, APV102, APV103, APV201, APV202, APV203, APV0800, APV1311, APV1324, APV2311, APV2321, APV2324, APV3344, APV3444, APV4344, APV4444, APV5111, APV5211, APV5411, APV6111, APV6211 | 69 |
| APV10, APV11, APV12, APV13, APV26 | 70 |

KÁDSZIFONOK

| | |
|----------------------------------|----|
| A501, A502 | 71 |
| A51, A55, A550, A551, A552, A553 | 72 |
| A504, A505, A507, A516 | 73 |
| A508, A509 | 74 |
| A564, A565 | 75 |
| A566 | 76 |

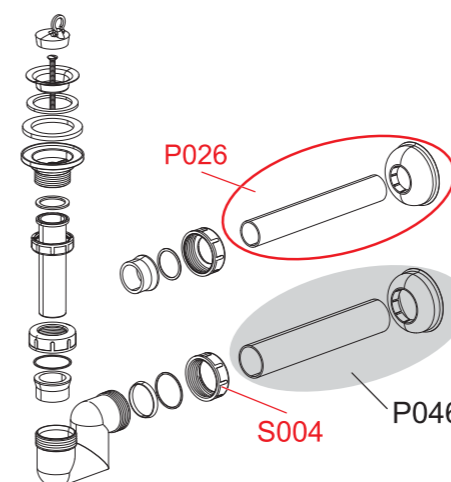
ZUHANYSZIFONOK

| | |
|-----------------------------|----|
| A503KM, A506KM | 77 |
| A461, A462 | 78 |
| A465, A466, A476, A465BLACK | 79 |
| A46, A47B, A47CR | 80 |
| A48, A49 | 81 |
| A471CR | 82 |
| A491CR, A492CR | 83 |

MOSDÓSZIFONOK

| | |
|---|----|
| A412, A45F | 84 |
| A413, A434, A872P | 85 |
| A31, A32, A41, A42, A43, A300, A31P, A410, A411, A41P, A41R, A420, A421, A42P, A42R, A430, A43P, A410P, A41PR, A420P, A430P | 86 |
| A328B, A328CR | 87 |
| A39, A390, A391, A392, A392ANTIC, A392B, A392BLACK, A392C, A393, A394, A395, A395B, A396, A400, A400B, A401, A402, A403, A431, A432, A437, A438, A439, A4000, A4000B, A4320, ARV001, ARV002 | 88 |

Magyarázat



MOSOGATÓ SZIFONOK

| | |
|--|----|
| A33, A34, A37, A38, A331, A441, A442, A443, A444, A446, A447 | 89 |
| A464 | 90 |
| A448, A449, A448P, A449P, A453P, A454P, A8000 | 91 |
| A80, A81, A82, A83, A84, A44M, A800, A810, A820, A830, A840, A870, A870P | 92 |
| A873 | 93 |

PISZOÁR ÉS BIDÉ SZIFONOK

| | |
|------------------|----|
| A45A, A45B, A45C | 94 |
|------------------|----|

KONDEZVÍZ ELVEZETŐ SZIFONOK

| | |
|---|----|
| AKS1, AKS1Z, AKS2, AKS3, AKS4, AKS5, AKS6 | 95 |
|---|----|

MOSÓGÉP SZIFONOK

| | |
|---|----|
| APS3, APS4, APS6, P148, APS3P, P148Z, P149Z, P155Z, P156Z | 96 |
|---|----|

WC BEKÖTÉS

| | |
|---------------------------|----|
| A90, A91, A92, A970, A991 | 97 |
|---------------------------|----|

Alkatrész lista

98–110

Tartozékok mosdó és mosogató szifonokhoz



| Rendel. szám | Méret mm |
|--------------|----------|
| P0008-ND | DN40 |
| P0012-ND | DN40 |
| P0019-ND | DN45 |
| P061-ND | DN32 |
| S0006-ND | DN40 |
| S0012-ND | DN63 |
| S0013-ND | DN63 |
| S0168-ND | DN50 |
| S0321-ND | DN32 |
| S0115-ND | DN70 |
| S0316-ND | 40mm |
| S0321-ND | DN70 |
| S0365-ND | DN32 |
| S0384-ND | DN115 |
| S0955-ND | DN32 |
| S0956-ND | DN40 |
| S0957-ND | DN50 |
| S1521-ND | |
| S1523-ND | |

WC ülőkék



| Rendel. szám | Méret mm |
|--------------|----------|
| P107-ND | |
| P108-ND | |
| Z0002-ND | 90mm |
| Z0005-ND | |
| Z0646-ND | |

Csavar komplett



| Rendel. szám | Méret mm |
|------------------|----------|
| V0020 M6X65 A-ND | M6x65A |
| V0020 M6X80 A-ND | M6x80A |
| V0020 M8X65 A-ND | M8x65A |
| V0020 M8X80 A-ND | M8x80A |
| V0020 M6X80 B-ND | M6x80B |
| V0020 M8X80 B-ND | M8x80B |

Tömítés kombi WC-hez



| Rendel. szám | Méret mm |
|--------------|-----------|
| V0056-ND | 115x70x15 |
| V0058-ND | 115x70x8 |
| V0060-ND | 94x70x17 |

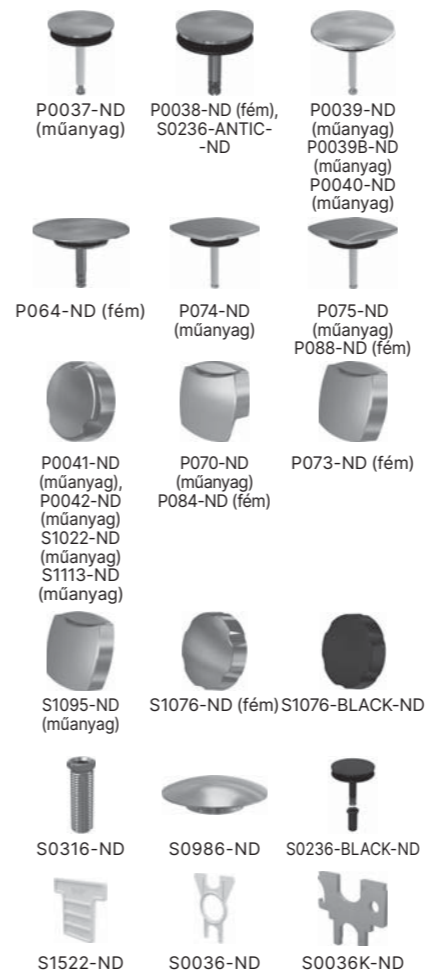
Tartozékok a töltő és öblítő szelepek



| Rendel. szám | Méret mm |
|----------------|----------|
| N0022-ND | |
| V0088-ND | |
| V0094-ND | |
| Z0073KARTUS-ND | |

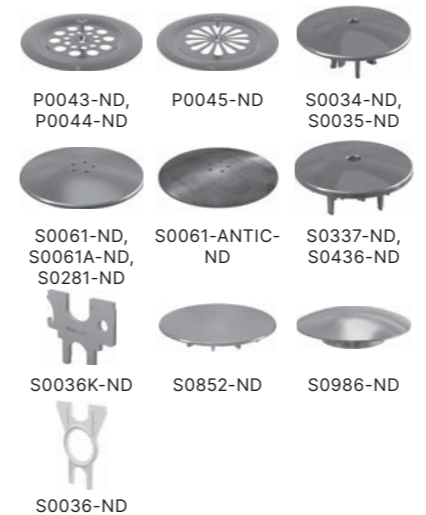
Z0073KARTUS-ND

Tartozékok a kádszifonokhoz



| Rendel. szám | Méret mm |
|----------------|----------|
| P0037-ND | DN48 |
| P0038-ND | DN45 |
| P0039-ND | DN70 |
| P0039B-ND | DN70 |
| P0040-ND | DN70 |
| P0041-ND | DN75 |
| P0042-ND | DN75 |
| P064-ND | DN70 |
| P070-ND | 85x85 |
| P073-ND | 85x85 |
| P074-ND | 70x70 |
| P075-ND | 70x70 |
| P084-ND | 85x85 |
| P088-ND | 70x70 |
| S0036-ND | |
| S0036K-ND | |
| S0236-ANTIC-ND | DN45 |
| S0236-BLACK-ND | DN45 |
| S0316-ND | 40 |
| S0986-ND | DN70 |
| S1022-ND | DN75 |
| S1076-ND | DN78 |
| S1076-BLACK-ND | DN78 |
| S1095-ND | 75x75 |
| S1113-ND | DN45 |
| S1522-ND | DN45 |

Tartozékok a zuhanytálca szifonokhoz



| Rendel. szám | Méret mm |
|----------------|----------|
| P0043-ND | DN72 |
| P0044-ND | DN86 |
| P0045-ND | DN115 |
| S0034-ND | DN91 |
| S0035-ND | DN91 |
| S0036-ND | |
| S0036K-ND | |
| S0061-ND | DN116 |
| S0061-ANTIC-ND | DN116 |
| S0061A-ND | DN116 |
| S0281-ND | DN116 |
| S0337-ND | DN71 |
| S0436-ND | DN71 |
| S0852-ND | DN116 |
| S0986-ND | DN70 |

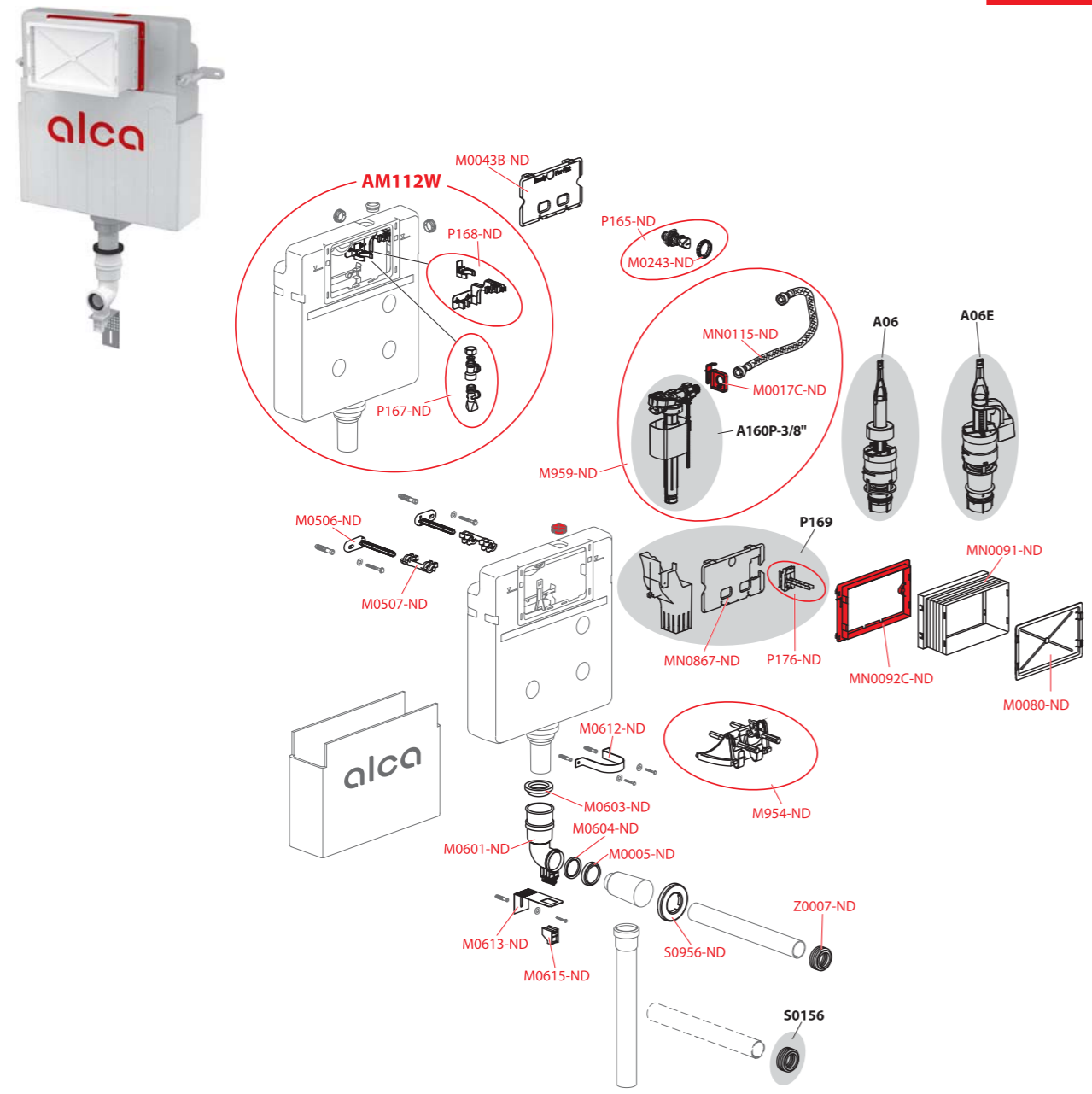
Mandzsetta betét



| Rendel. szám | Méret mm |
|--------------|----------|
| M0023-ND | DN58/25 |
| S0221-ND | DN30/10 |
| S0338-ND | DN45/32 |
| Z0007-ND | DN60/40 |
| Z0013-ND | DN50/32 |

AM112, AM112W

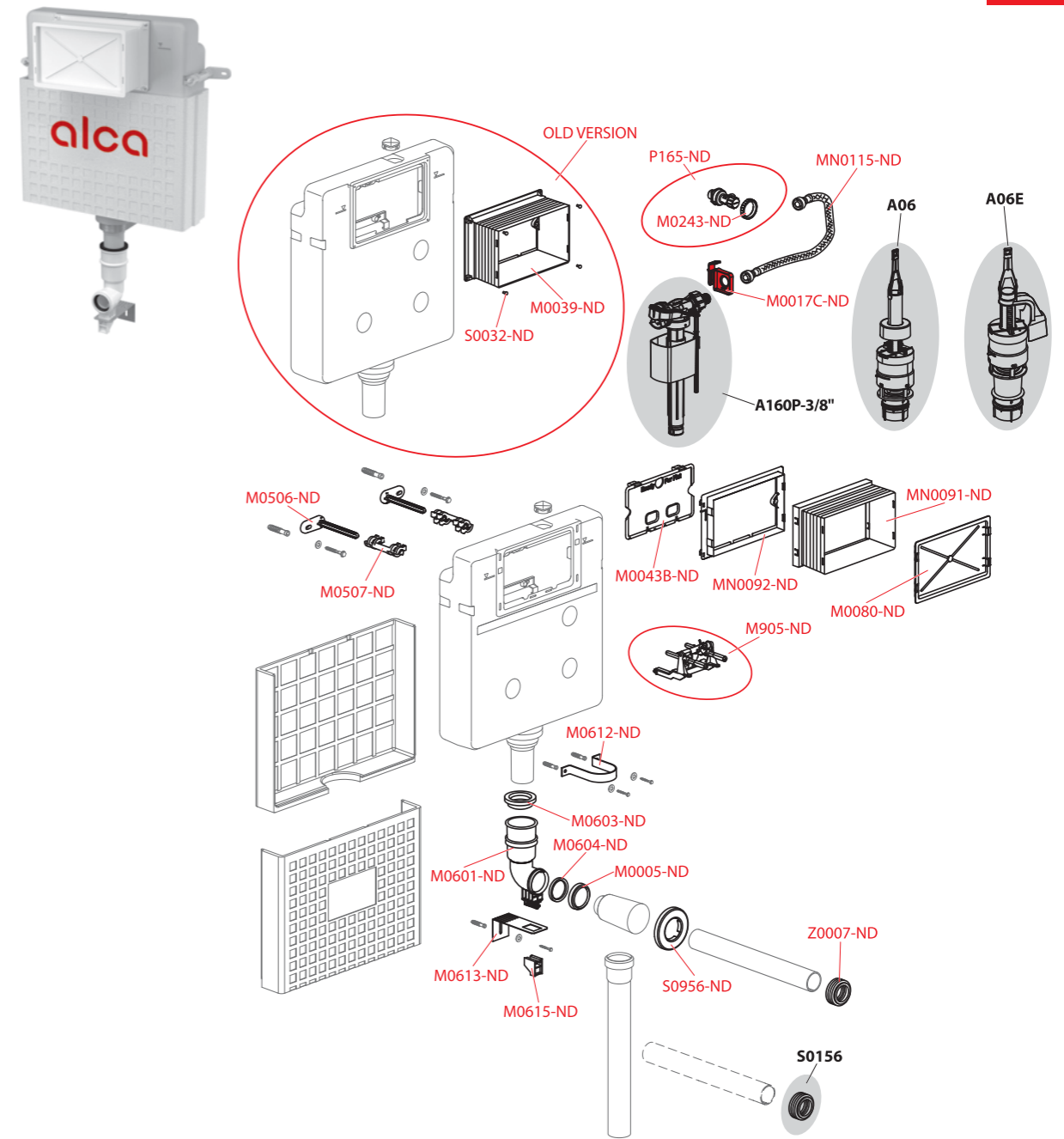
GYÁRTÁS
2017-TŐL



| Rendel. szám | Rendel. szám |
|--------------|--------------|
| M0005-ND | M954-ND |
| M0017C-ND | M959-ND |
| M0043B-ND | MN0091-ND |
| M0080-ND | MN0092C-ND |
| M0243-ND | MN0115-ND |
| M0506-ND | MN0867-ND |
| M0507-ND | P165-ND |
| M0601-ND | P167-ND |
| M0603-ND | P168-ND |
| M0604-ND | P176-ND |
| M0612-ND | S0956-ND |
| M0613-ND | Z0007-ND |
| M0615-ND | |

A112

GYÁRTÁS
2005-2017

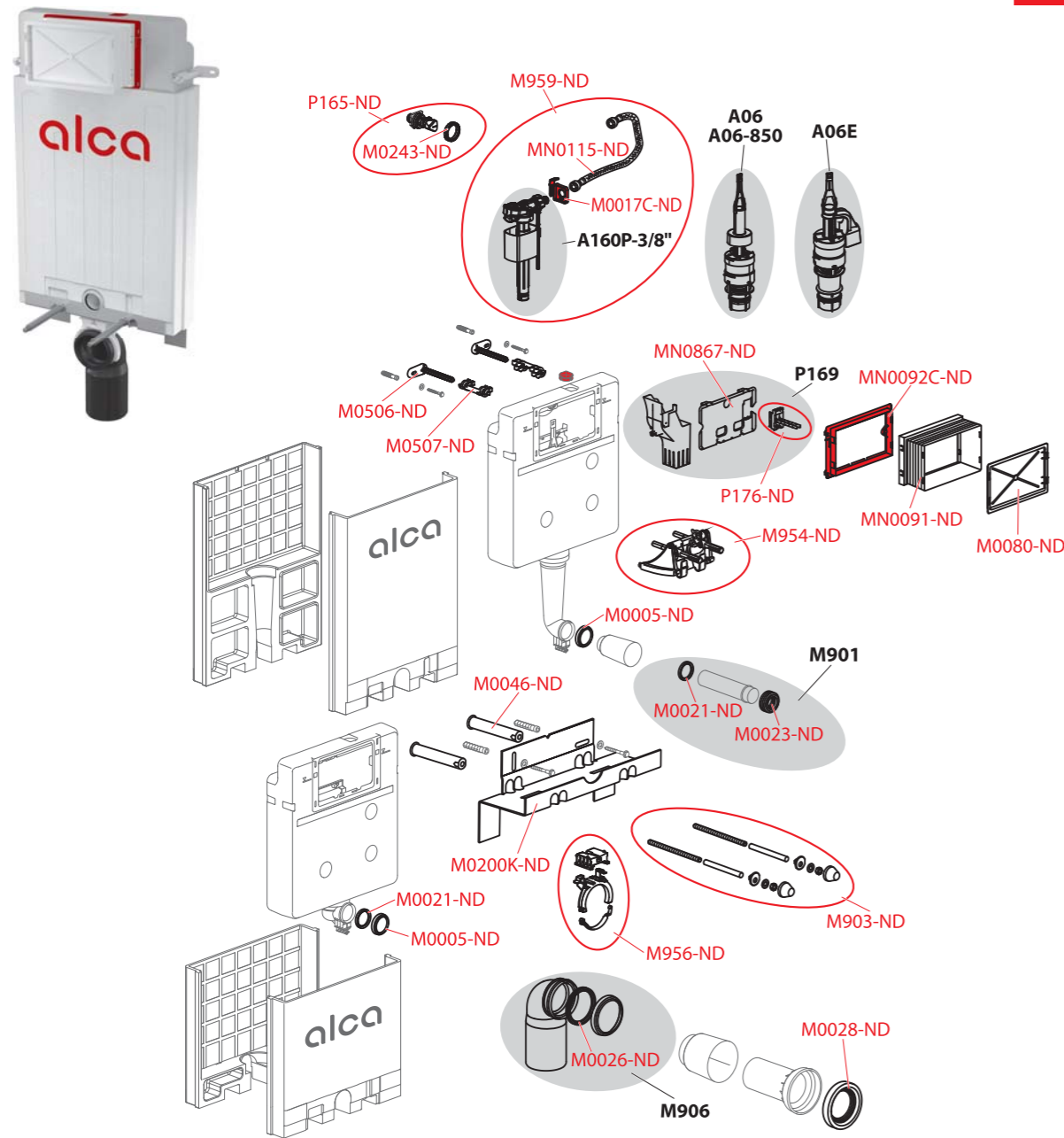


| Rendel. szám | Rendel. szám |
|--------------|--------------|
| M0005-ND | M0612-ND |
| M0017C-ND | M0613-ND |
| M0039-ND | M0615-ND |
| M0043B-ND | M905-ND |
| M0080-ND | MN0091-ND |
| M0243-ND | MN0092-ND |
| M0506-ND | MN0115-ND |
| M0507-ND | P165-ND |
| M0601-ND | S0032-ND |
| M0603-ND | S0956-ND |
| M0604-ND | Z0007-ND |

| Rendel. szám | Rendel. szám |
|--------------|--------------|
| M0612-ND | |
| M0613-ND | |
| M0615-ND | |
| M905-ND | |
| MN0091-ND | |
| MN0092-ND | |
| MN0115-ND | |
| P165-ND | |
| S0032-ND | |
| S0956-ND | |
| Z0007-ND | |

AM100/850, AM100/1000, AM100/1000E

GYÁRTÁS
2017-TŐL

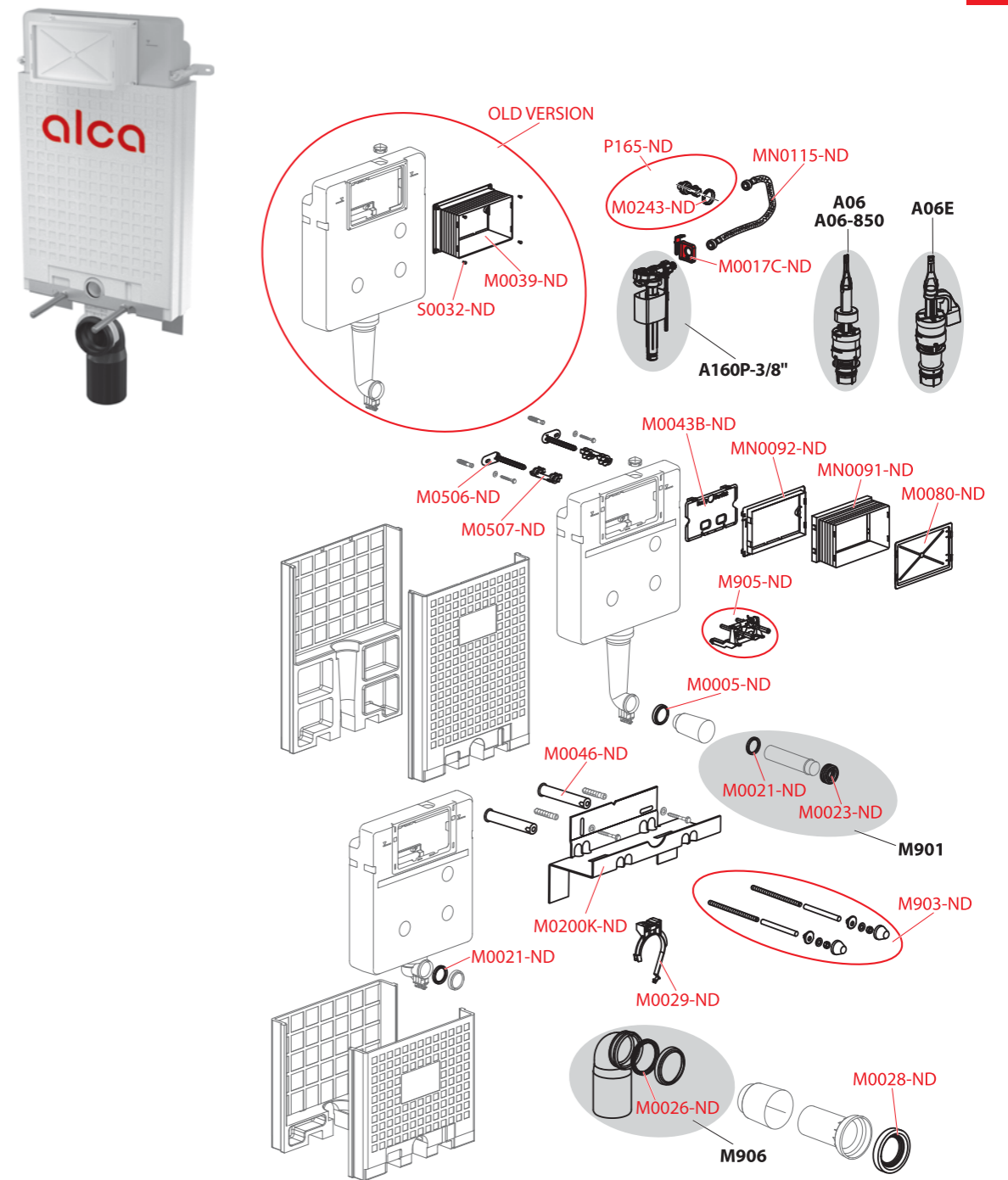


| Rendel. szám |
|--------------|
| M0005-ND |
| M0017C-ND |
| M0021-ND |
| M0023-ND |
| M0026-ND |
| M0028-ND |
| M0046-ND |
| M0080-ND |
| M0200K-ND |
| M0243-ND |
| M0506-ND |

| Rendel. szám |
|--------------|
| M0507-ND |
| M903-ND |
| M954-ND |
| M956-ND |
| M959-ND |
| MN0091-ND |
| MN0092C-ND |
| MN0115-ND |
| MN0867-ND |
| P165-ND |
| P176-ND |

A100/850, A100/1000, A100/1000E

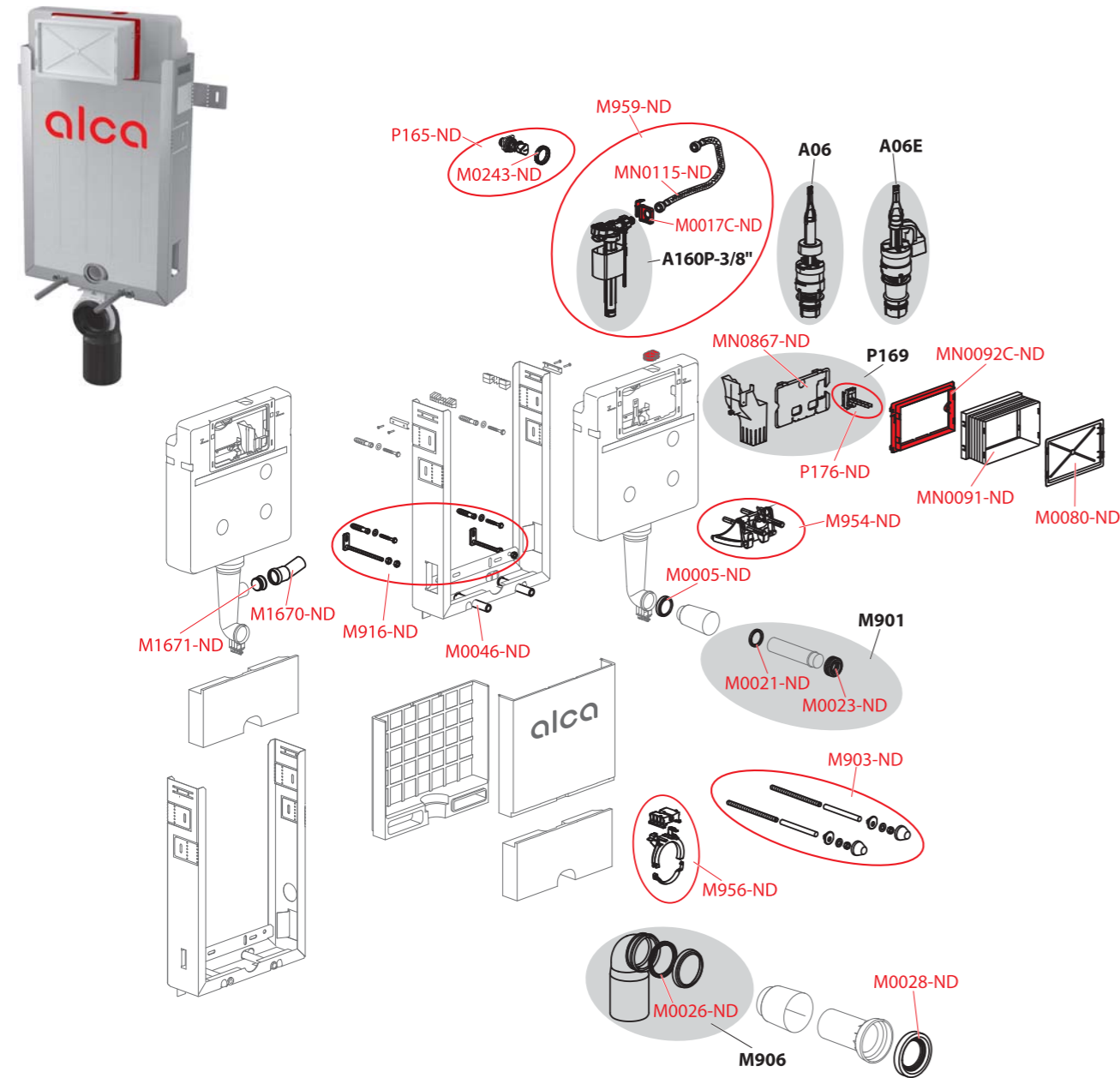
GYÁRTÁS
2005-2017



| Rendel. szám |
|--------------|
| M0005-ND |
| M0017C-ND |
| M0021-ND |
| M0023-ND |
| M0026-ND |
| M0028-ND |
| M0029-ND |
| M0039-ND |
| M0043B-ND |
| M0046-ND |
| M0080-ND |

| Rendel. szám |
|--------------|
| M0200K-ND |
| M0243-ND |
| M0506-ND |
| M0507-ND |
| M903-ND |
| M905-ND |
| MN0091-ND |
| MN0092-ND |
| MN0115-ND |
| P165-ND |
| S0032-ND |

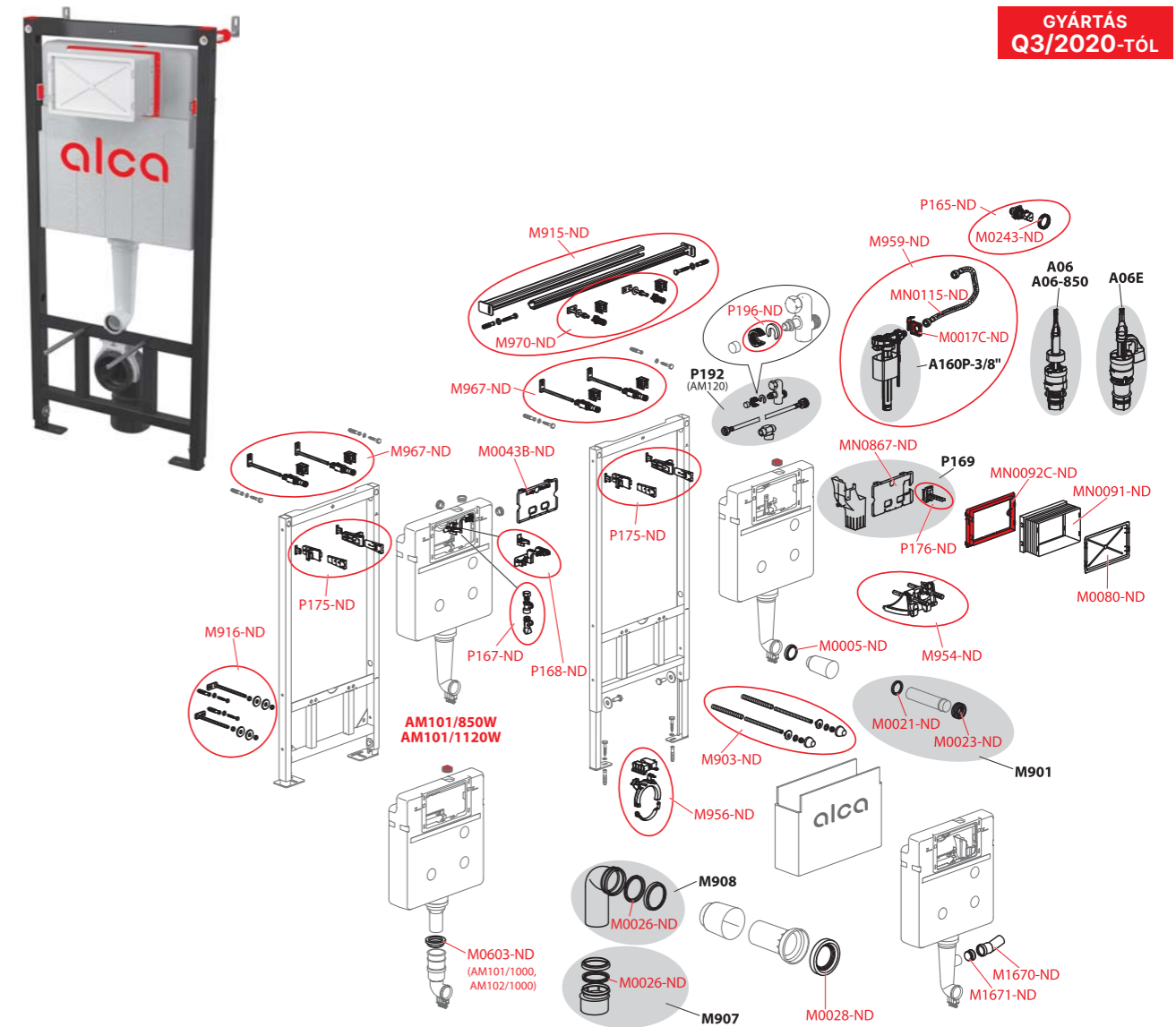
AM115/1000, AM115/1000E, AM115/1000V



| Rendel. szám |
|--------------|
| M0005-ND |
| M0017C-ND |
| M0021-ND |
| M0023-ND |
| M0026-ND |
| M0028-ND |
| M0046-ND |
| M0080-ND |
| M0243-ND |
| M1670-ND |
| M1671-ND |

| Rendel. szám |
|--------------|
| M903-ND |
| M916-ND |
| M954-ND |
| M956-ND |
| M959-ND |
| MN0091-ND |
| MN0092C-ND |
| MN0115-ND |
| MN0867-ND |
| P165-ND |
| P176-ND |

AM101/850, AM102/850, AM101/1000, AM101/1120, AM101/850W, AM102/1000, AM102/1120, AM101/1120E, AM101/1120V, AM101/1120W, AM102/1120E, AM102/1120V, AM120/1120



| Rendel. szám |
|-----------------------------------|
| M0005-ND |
| M0017C-ND |
| M0021-ND |
| M0023-ND |
| M0026-ND |
| M0028-ND |
| M0043B-ND |
| M0080-ND |
| M0243-ND |
| M0603-ND (AM101/1000, AM102/1000) |
| M1670-ND |
| M1671-ND |
| M903-ND |
| M915-ND |
| M916-ND |

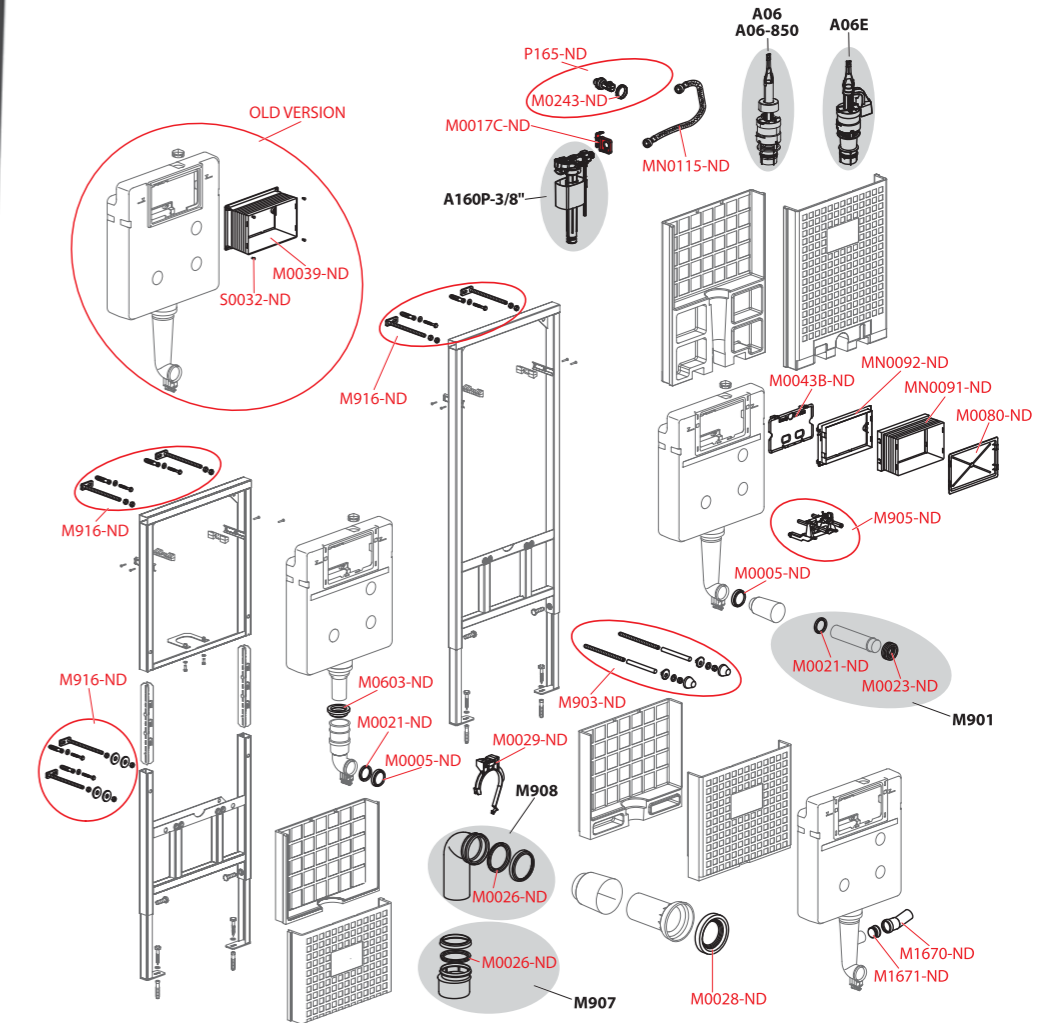
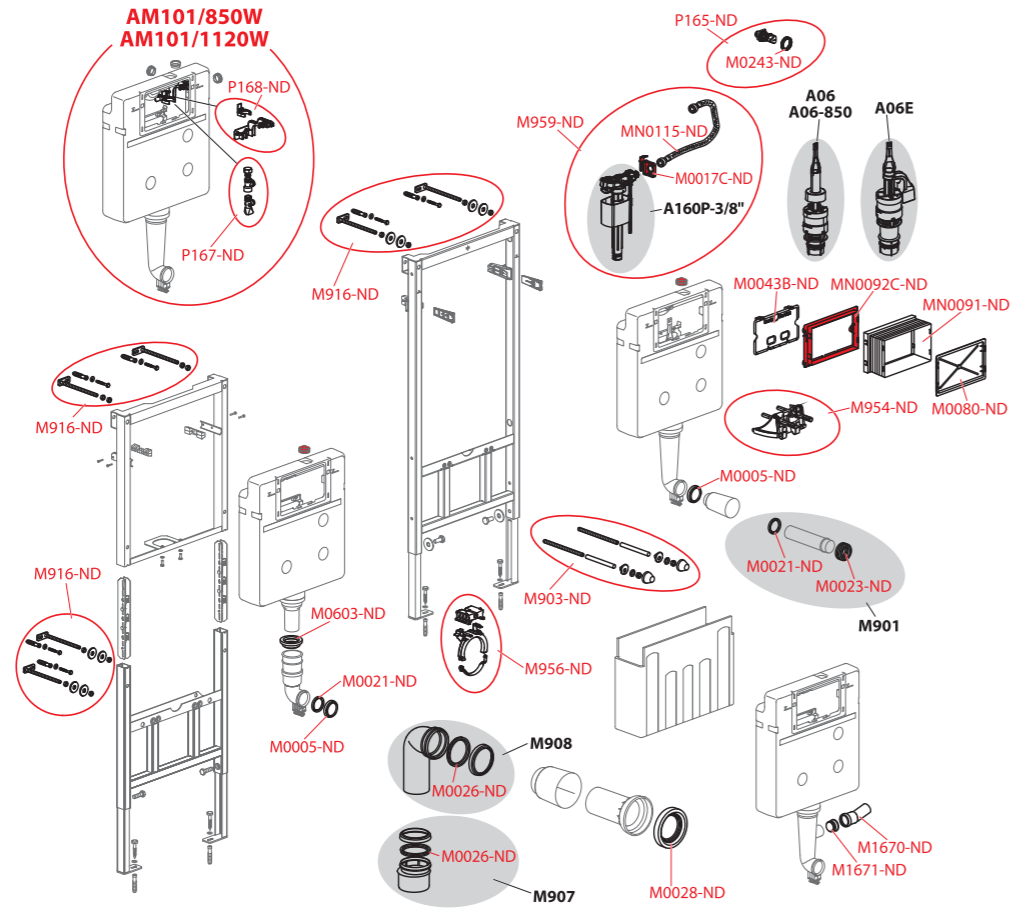
| Rendel. szám |
|--------------|
| M954-ND |
| M956-ND |
| M959-ND |
| M967-ND |
| M970-ND |
| MN0091-ND |
| MN0092C-ND |
| MN0115-ND |
| MN0867-ND |
| P165-ND |
| P167-ND |
| P168-ND |
| P175-ND |
| P176-ND |
| P196-ND |

AM101/850, AM102/850, AM101/1000, AM101/1120, AM102/1000, AM102/1120, AM101/1120D, AM101/1120E, AM101/1120V, AM101/1120W, AM102/1120E, AM102/1120V

A101/850, A102/850, A101/1000, A101/1200, A102/1000, A102/1200, A101/1200D, A101/1200E, A101/1200V, A102/1200E, A102/1200V

GYÁRTÁS
2017-2020

GYÁRTÁS
2005-2017



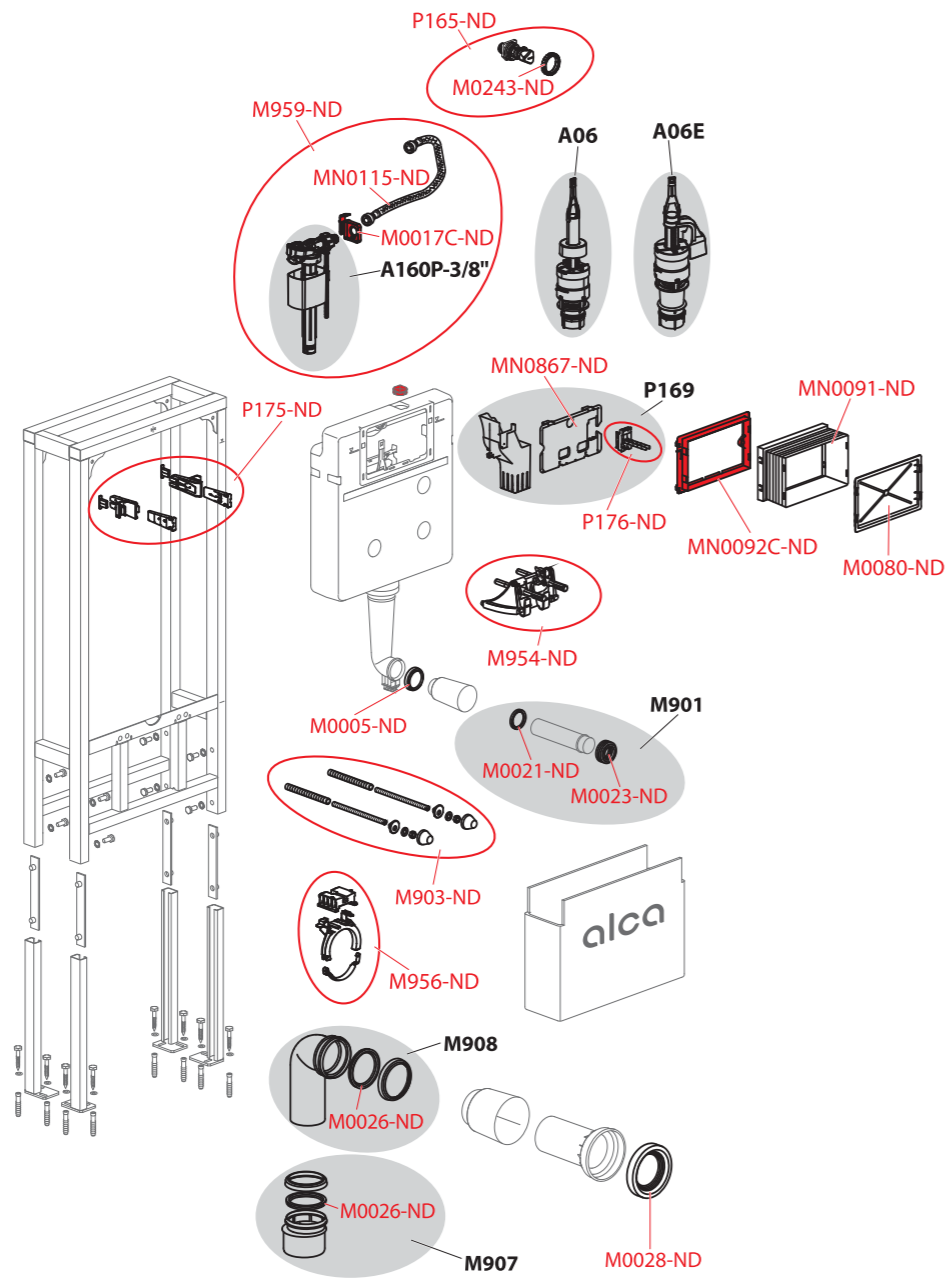
| Rendel. szám |
|--------------|
| M0005-ND |
| M0017C-ND |
| M0021-ND |
| M0023-ND |
| M0026-ND |
| M0028-ND |
| M0043B-ND |
| M0080-ND |
| M0243-ND |
| M0603-ND |
| M1670-ND |
| M1671-ND |

| Rendel. szám |
|--------------|
| M903-ND |
| M916-ND |
| M954-ND |
| M956-ND |
| M959-ND |
| MN0091-ND |
| MN0092C-ND |
| MN0115-ND |
| P165-ND |
| P167-ND |
| P168-ND |

| Rendel. szám |
|--------------|
| M0005-ND |
| M0017C-ND |
| M0021-ND |
| M0023-ND |
| M0026-ND |
| M0028-ND |
| M0029-ND |
| M0039-ND |
| M0043B-ND |
| M0080-ND |
| M0243-ND |

| Rendel. szám |
|--------------|
| M0603-ND |
| M1670-ND |
| M1671-ND |
| M903-ND |
| M905-ND |
| M916-ND |
| MN0091-ND |
| MN0092-ND |
| MN0115-ND |
| P165-ND |
| S0032-ND |

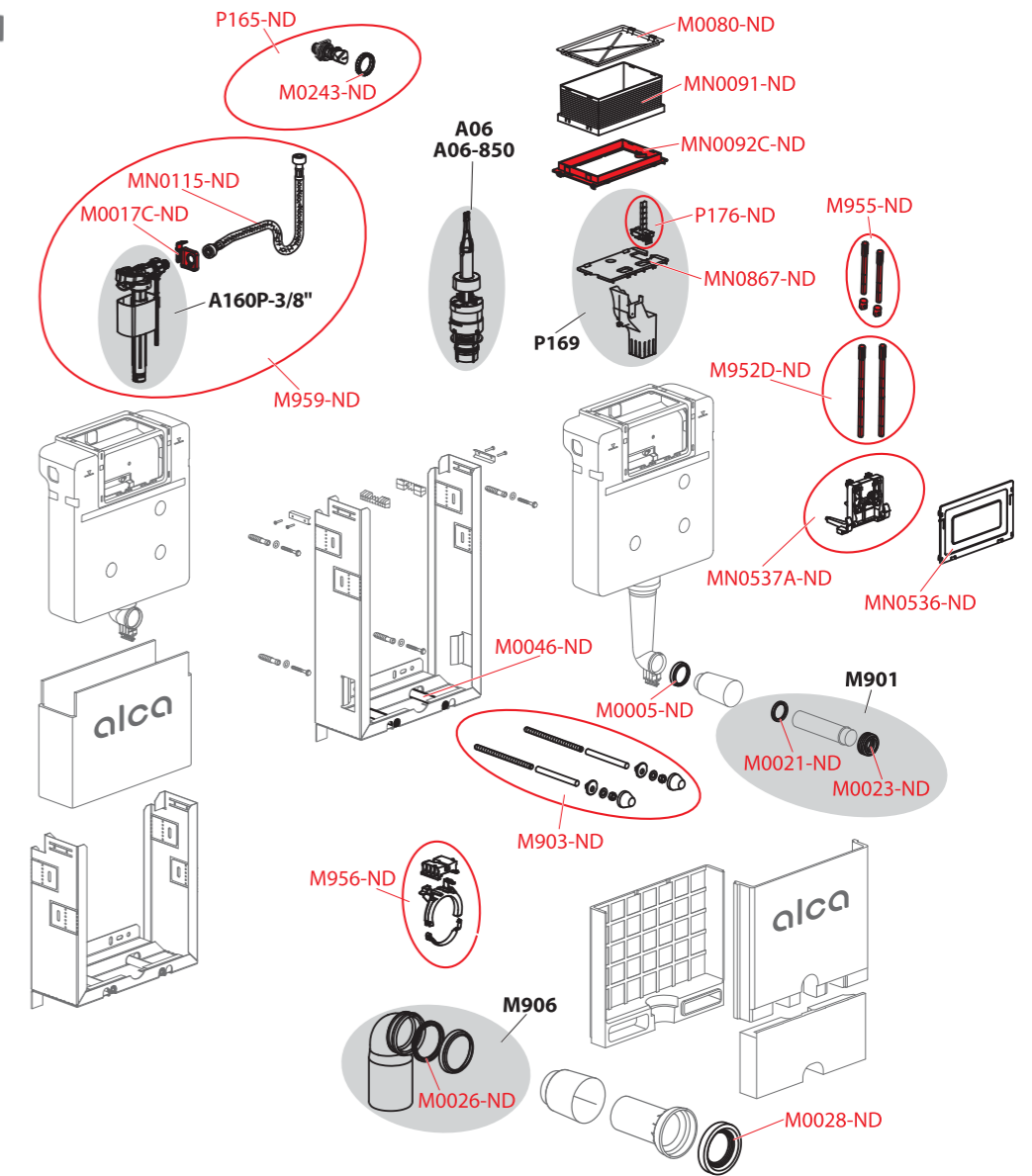
AM116/1120



| Rendel. szám |
|--------------|
| M0005-ND |
| M0017C-ND |
| M0021-ND |
| M0023-ND |
| M0026-ND |
| M0028-ND |
| M0080-ND |
| M0243-ND |
| M903-ND |
| M954-ND |

| Rendel. szám |
|--------------|
| M956-ND |
| M959-ND |
| MN0091-ND |
| MN0092C-ND |
| MN0115-ND |
| MN0867-ND |
| P165-ND |
| P175-ND |
| P176-ND |

AM119/850/1000



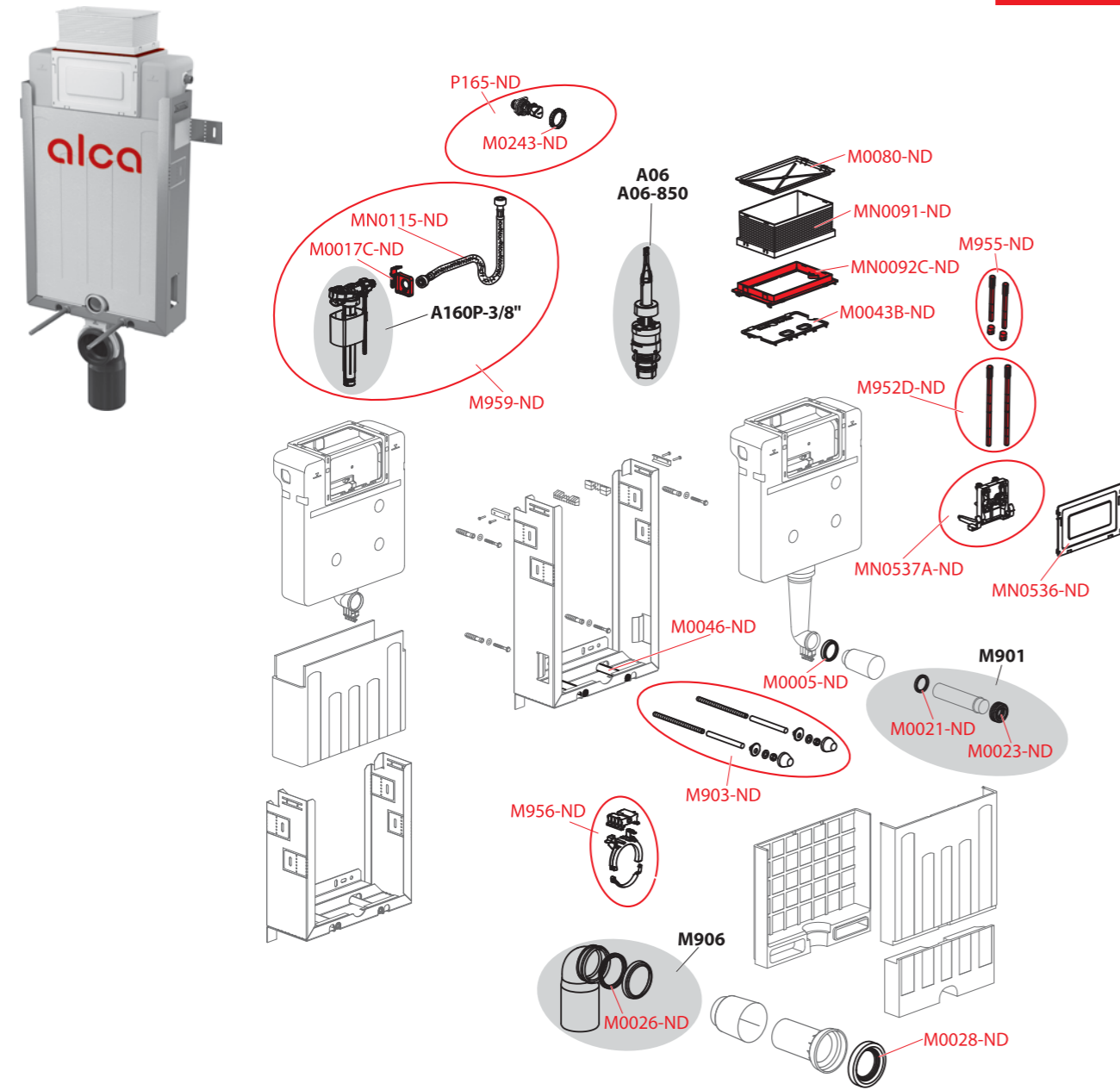
| Rendel. szám |
|--------------|
| M0005-ND |
| M0017C-ND |
| M0021-ND |
| M0023-ND |
| M0026-ND |
| M0028-ND |
| M0046-ND |
| M0080-ND |
| M0243-ND |
| M903-ND |
| M952D-ND |

| Rendel. szám |
|--------------|
| M955-ND |
| M956-ND |
| M959-ND |
| MN0091-ND |
| MN0092C-ND |
| MN0115-ND |
| MN0536-ND |
| MN0537A-ND |
| MN0867-ND |
| P165-ND |
| P176-ND |

GYÁRTÁS
Q3/2020-TÓL

AM119/850/1000

GYÁRTÁS
2019-TŐL

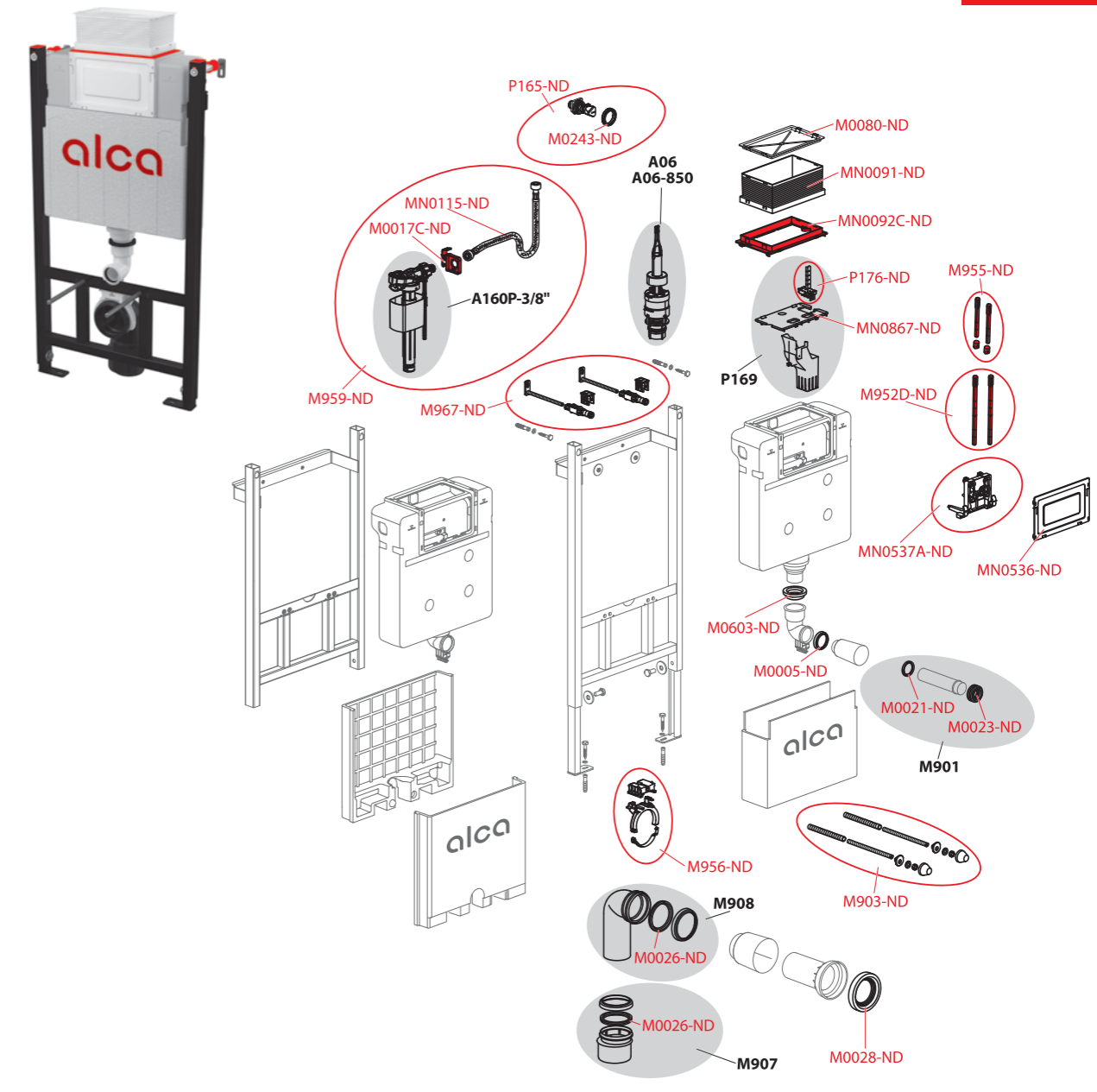


| Rendel. szám |
|--------------|
| M0005-ND |
| M0017C-ND |
| M0021-ND |
| M0023-ND |
| M0026-ND |
| M0028-ND |
| M0043B-ND |
| M0046-ND |
| M0080-ND |
| M0243-ND |
| M903-ND |

| Rendel. szám |
|--------------|
| M952D-ND |
| M955-ND |
| M956-ND |
| M959-ND |
| MN0091-ND |
| MN0092C-ND |
| MN0115-ND |
| MN0536-ND |
| MN0537A-ND |
| P165-ND |

AM118/850/1000

GYÁRTÁS
Q3/2020-TŐL

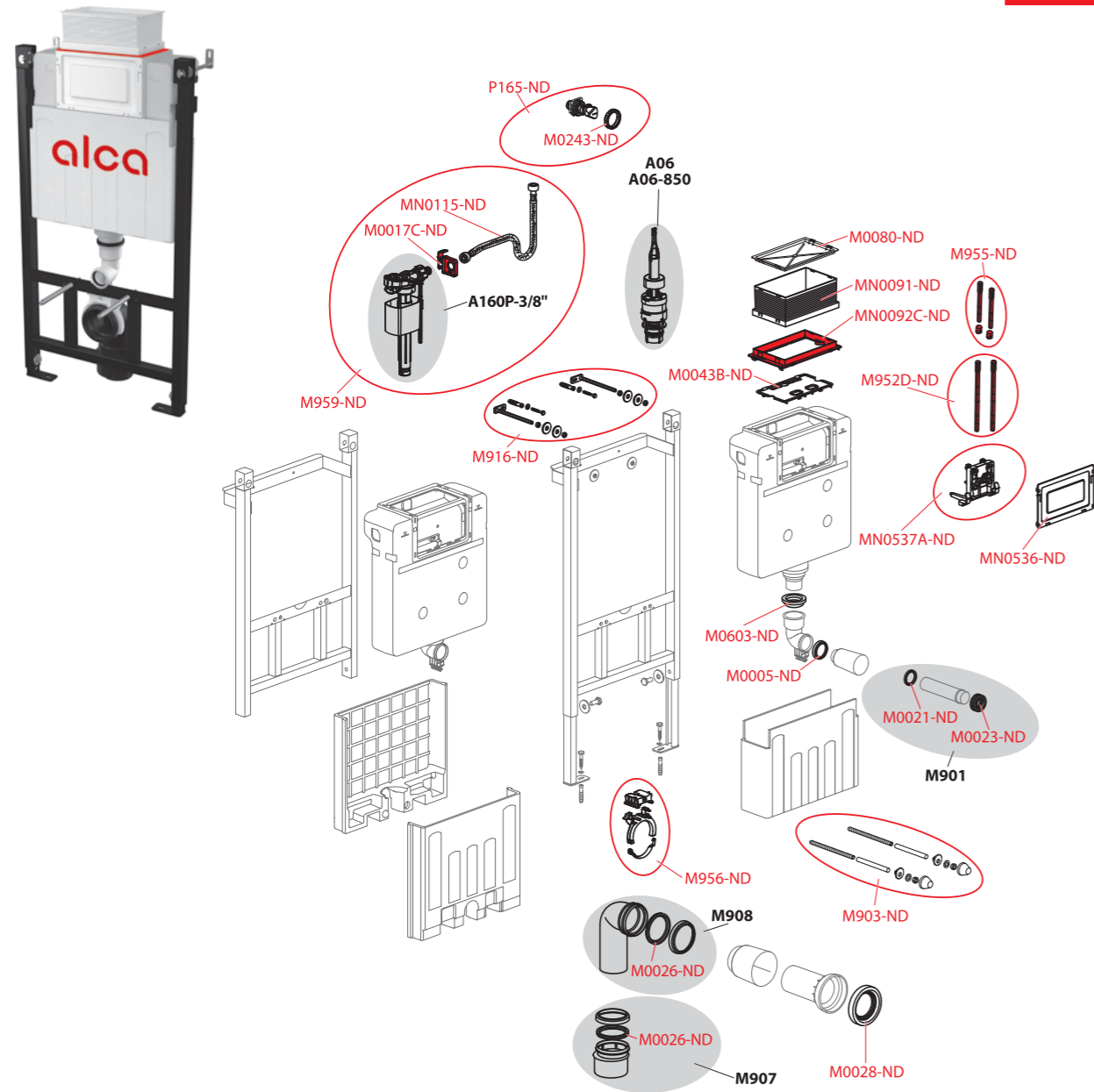


| Rendel. szám |
|--------------|
| M0005-ND |
| M0017C-ND |
| M0021-ND |
| M0023-ND |
| M0026-ND |
| M0028-ND |
| M0080-ND |
| M0243-ND |
| M0603-ND |
| M903-ND |
| M952D-ND |
| M955-ND |

| Rendel. szám |
|--------------|
| M956-ND |
| M959-ND |
| M967-ND |
| MN0091-ND |
| MN0092C-ND |
| MN0115-ND |
| MN0536-ND |
| MN0537A-ND |
| MN0867-ND |
| P165-ND |
| P176-ND |

AM118/850/1000

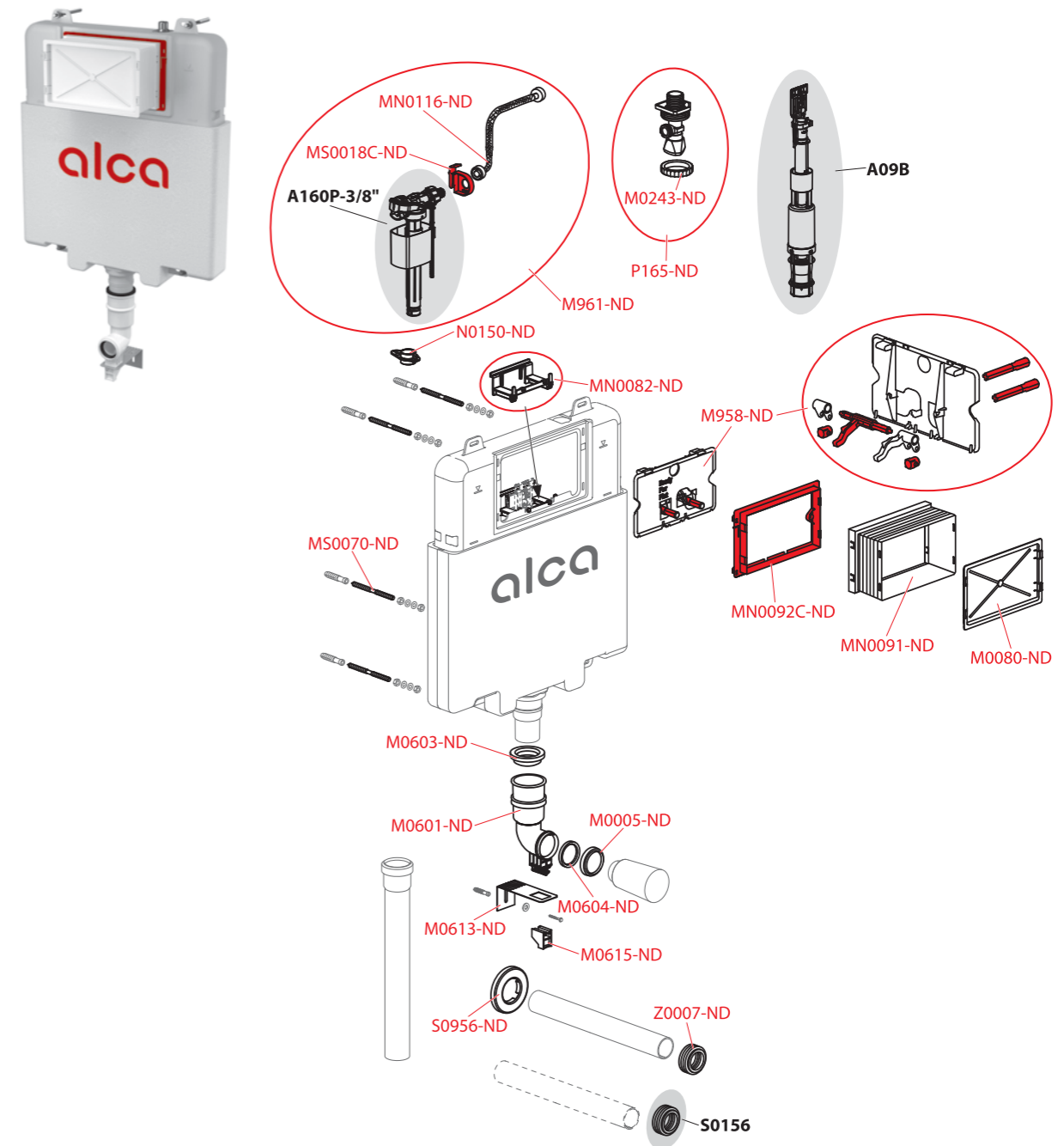
GYÁRTÁS
2019-TŐL



| Rendel. szám |
|--------------|
| M0005-ND |
| M0017C-ND |
| M0021-ND |
| M0023-ND |
| M0026-ND |
| M0028-ND |
| M0043B-ND |
| M0080-ND |
| M0243-ND |
| M0603-ND |
| M903-ND |

| Rendel. szám |
|--------------|
| M916-ND |
| M952D-ND |
| M955-ND |
| M956-ND |
| M959-ND |
| MN0091-ND |
| MN0092C-ND |
| MN0115-ND |
| MN0536-ND |
| MN0537A-ND |
| P165-ND |

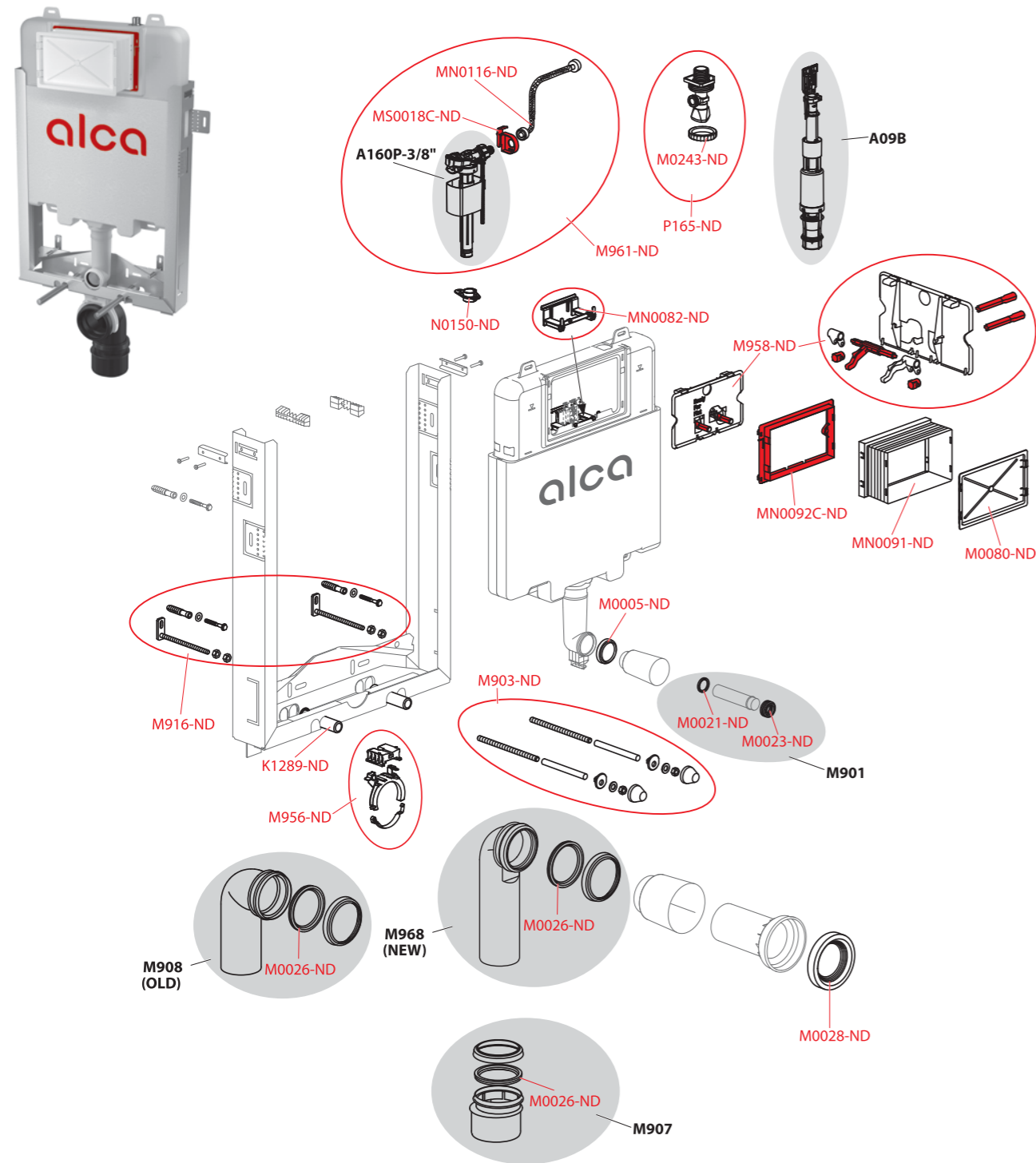
AM1112



| Rendel. szám |
|--------------|
| M0005-ND |
| M0080-ND |
| M0243-ND |
| M0601-ND |
| M0603-ND |
| M0604-ND |
| M0613-ND |
| M0615-ND |
| M958-ND |
| M961-ND |

| Rendel. szám |
|--------------|
| MN0082-ND |
| MN0091-ND |
| MN0092C-ND |
| MN0116-ND |
| MS0018C-ND |
| MS0070-ND |
| N0150-ND |
| P165-ND |
| S0956-ND |
| Z0007-ND |

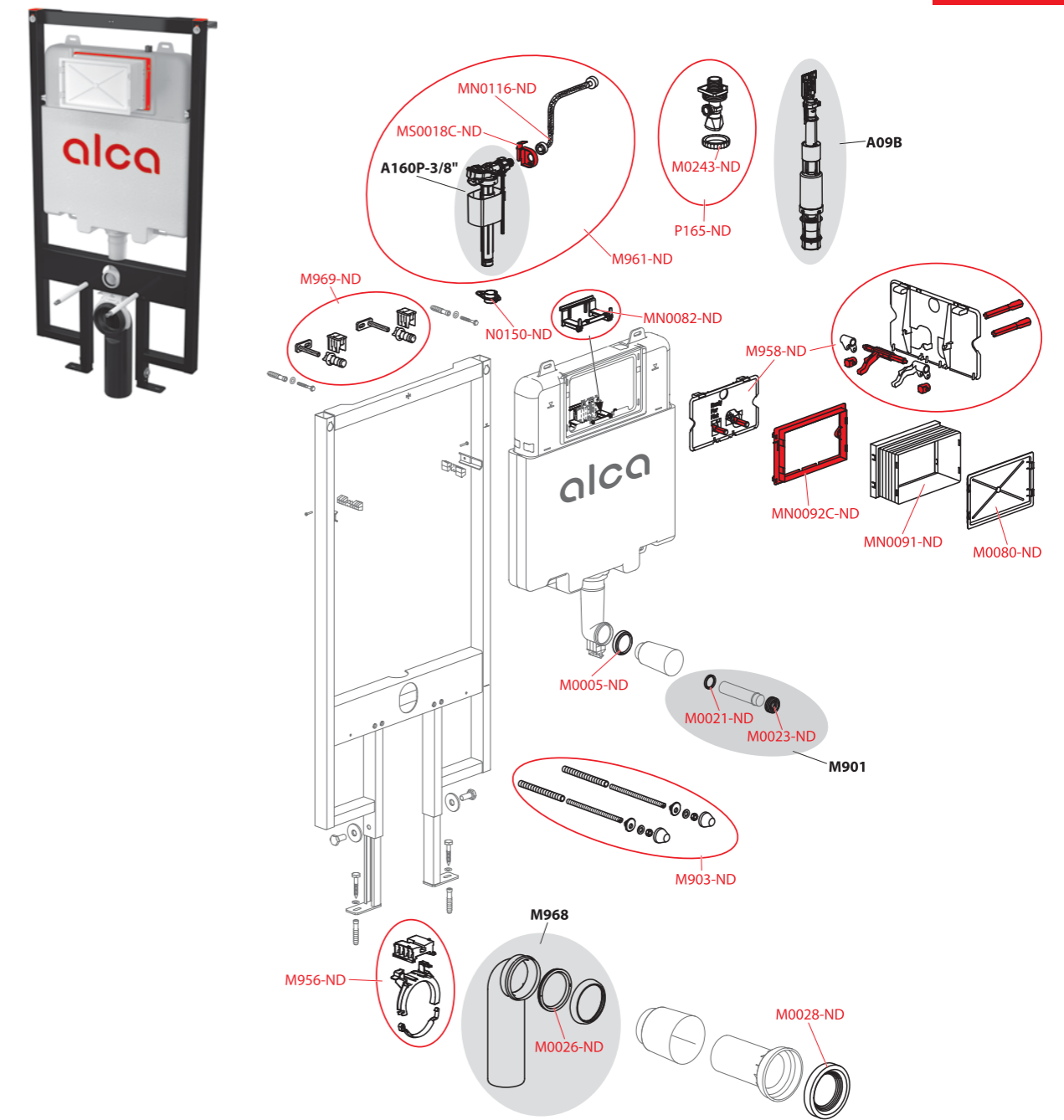
AM1115/1000



| Rendel. szám |
|--------------|
| K1289-ND |
| M0005-ND |
| M0021-ND |
| M0023-ND |
| M0026-ND |
| M0028-ND |
| M0080-ND |
| M0243-ND |
| M903-ND |
| M916-ND |

| Rendel. szám |
|--------------|
| M956-ND |
| M958-ND |
| M961-ND |
| MN0082-ND |
| MN0091-ND |
| MN0092C-ND |
| MN0116-ND |
| MS0018C-ND |
| N0150-ND |
| P165-ND |

AM1101/1200



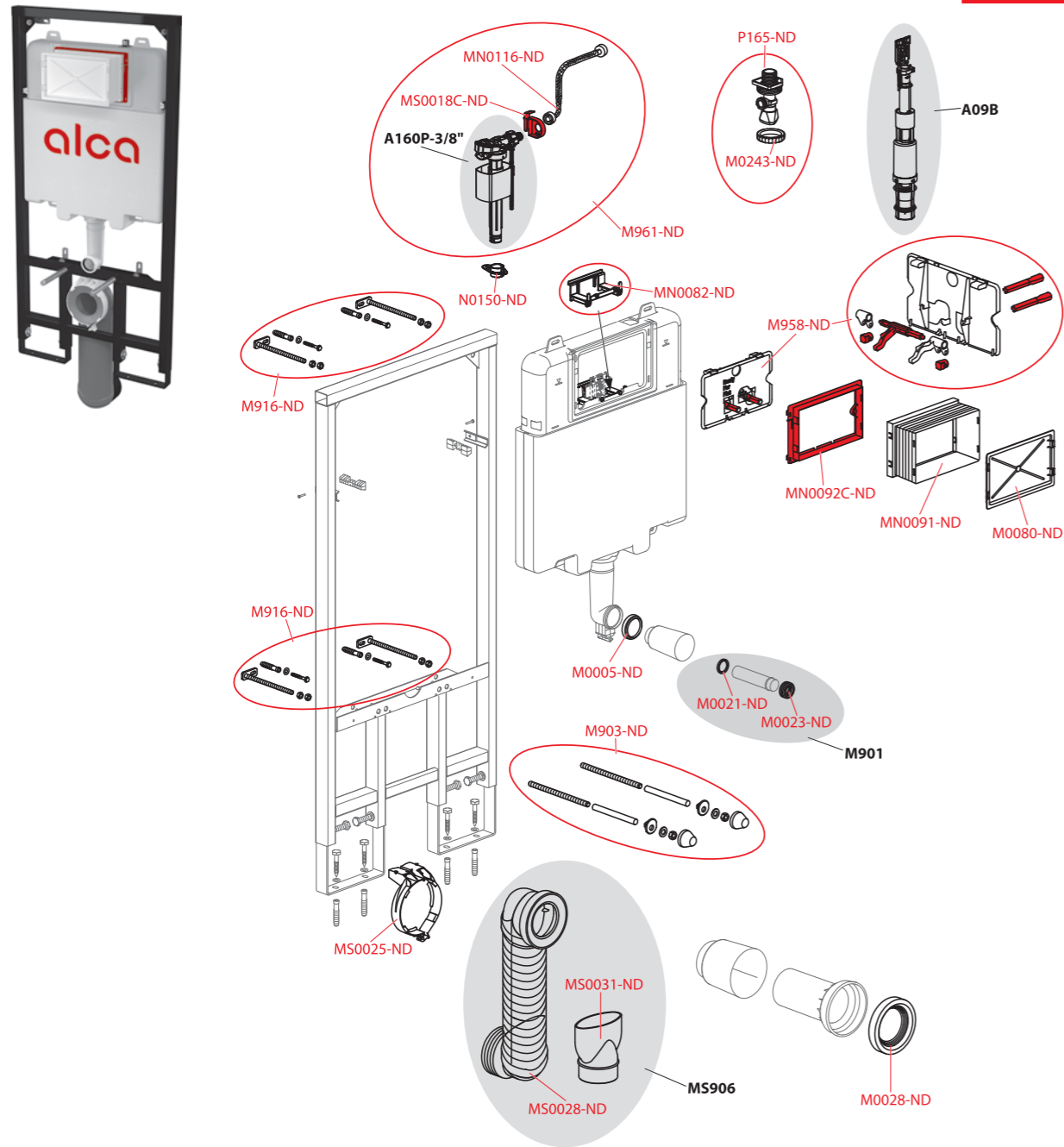
| Rendel. szám |
|--------------|
| M0005-ND |
| M0021-ND |
| M0023-ND |
| M0026-ND |
| M0028-ND |
| M0080-ND |
| M0243-ND |
| M903-ND |
| M956-ND |
| M958-ND |

| Rendel. szám |
|--------------|
| M961-ND |
| M969-ND |
| MN0082-ND |
| MN0091-ND |
| MN0092C-ND |
| MN0116-ND |
| MS0018C-ND |
| N0150-ND |
| P165-ND |

GYÁRTÁS
Q3/2020-TŐL

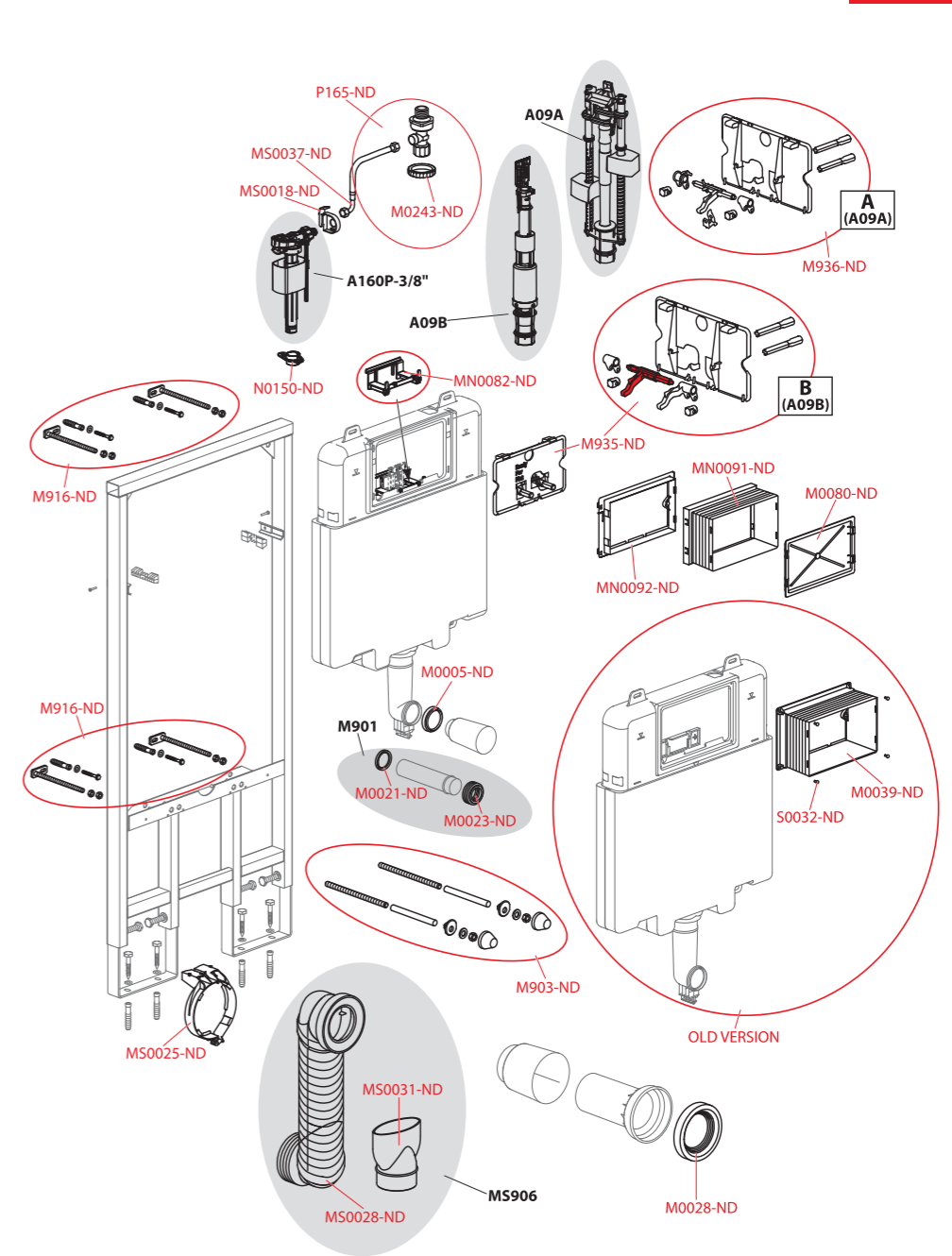
AM1101/1200

GYÁRTÁS
2017-2020



A1101/1200, A1101B/1200

GYÁRTÁS
2005-2017



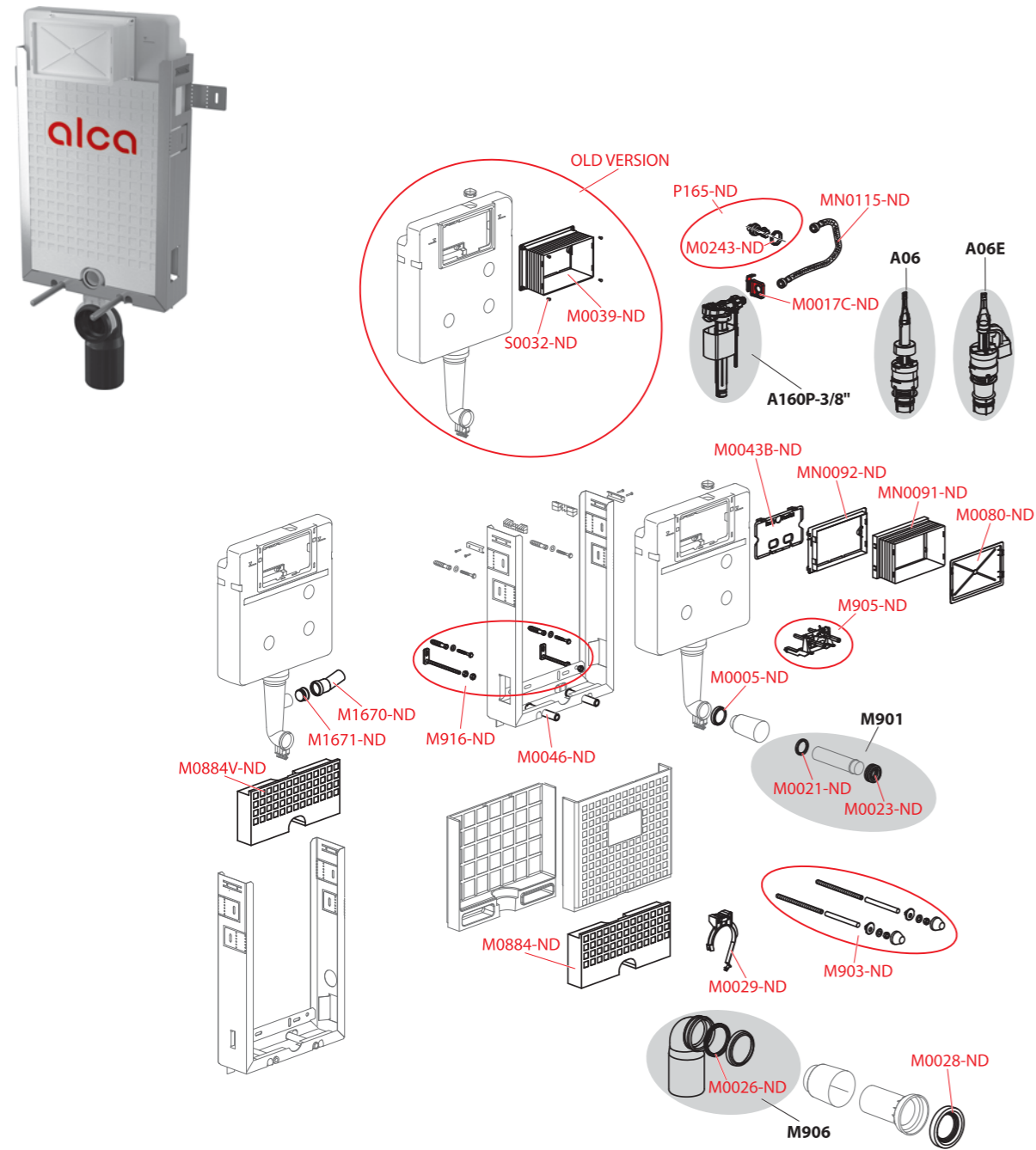
| Rendel. szám |
|--------------|
| M0005-ND |
| M0021-ND |
| M0023-ND |
| M0028-ND |
| M0080-ND |
| M0243-ND |
| M903-ND |
| M916-ND |
| M958-ND |
| M961-ND |
| MN0082-ND |

| Rendel. szám |
|--------------|
| MN0091-ND |
| MN0092C-ND |
| MN0116-ND |
| MS0018C-ND |
| MS0025-ND |
| MS0028-ND |
| MS0031-ND |
| N0150-ND |
| P165-ND |

| Rendel. szám |
|--------------|
| M0005-ND |
| M0021-ND |
| M0023-ND |
| M0028-ND |
| M0039-ND |
| M0080-ND |
| M0243-ND |
| M903-ND |
| M916-ND |
| M935-ND |
| M936-ND |

| Rendel. szám |
|--------------|
| MN0082-ND |
| MN0091-ND |
| MN0092-ND |
| MS0018-ND |
| MS0025-ND |
| MS0028-ND |
| MS0031-ND |
| MS0037-ND |
| N0150-ND |
| P165-ND |
| S0032-ND |

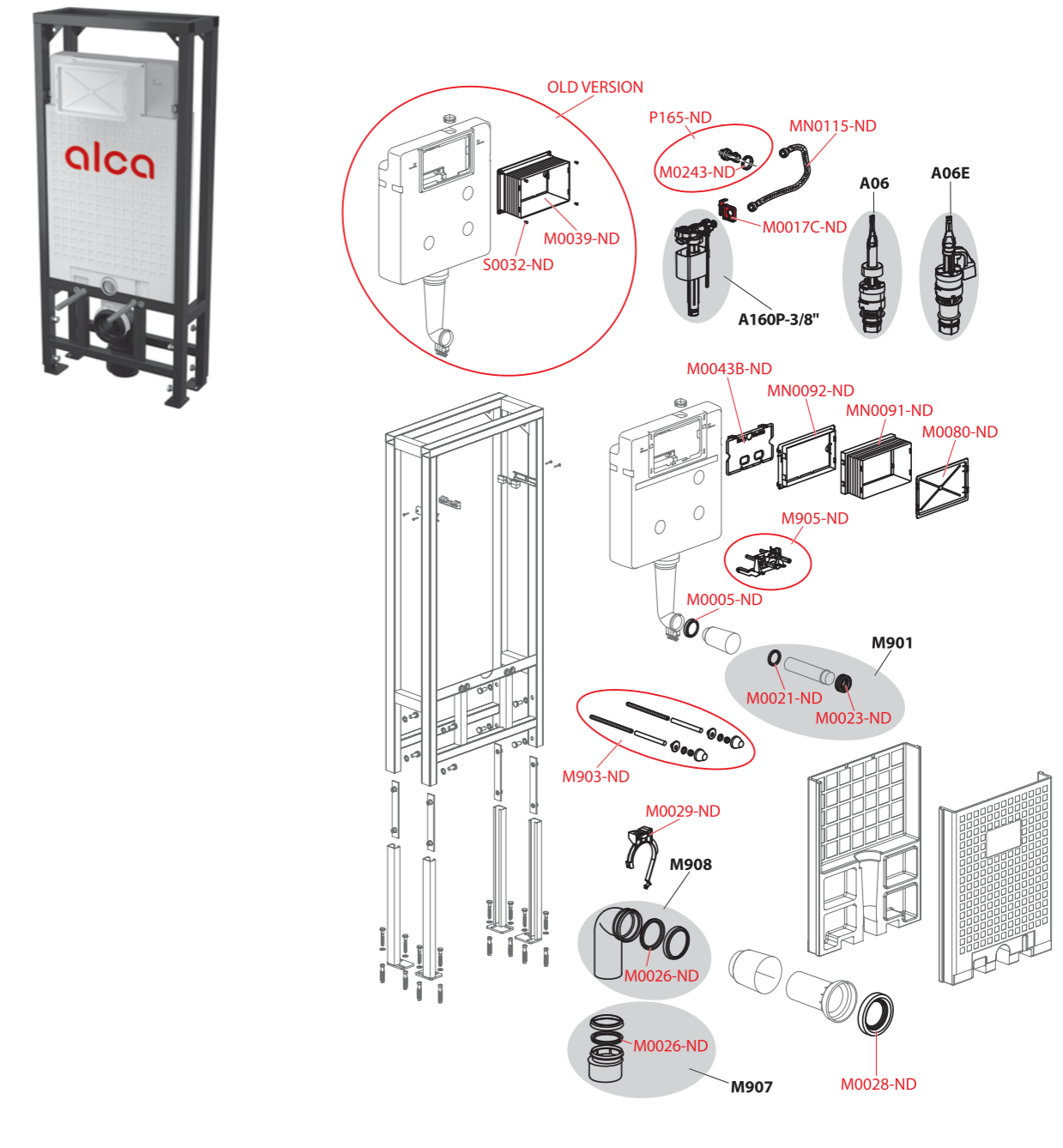
A115/1000, A115/1000E, A115/1000V



| Rendel. szám |
|--------------|
| M0005-ND |
| M0017C-ND |
| M0021-ND |
| M0023-ND |
| M0026-ND |
| M0028-ND |
| M0029-ND |
| M0039-ND |
| M0043B-ND |
| M0046-ND |
| M0080-ND |
| M0243-ND |

| Rendel. szám |
|--------------|
| M0884-ND |
| M0884V-ND |
| M1670-ND |
| M1671-ND |
| M903-ND |
| M905-ND |
| M916-ND |
| MN0091-ND |
| MN0092-ND |
| MN0115-ND |
| P165-ND |
| S0032-ND |

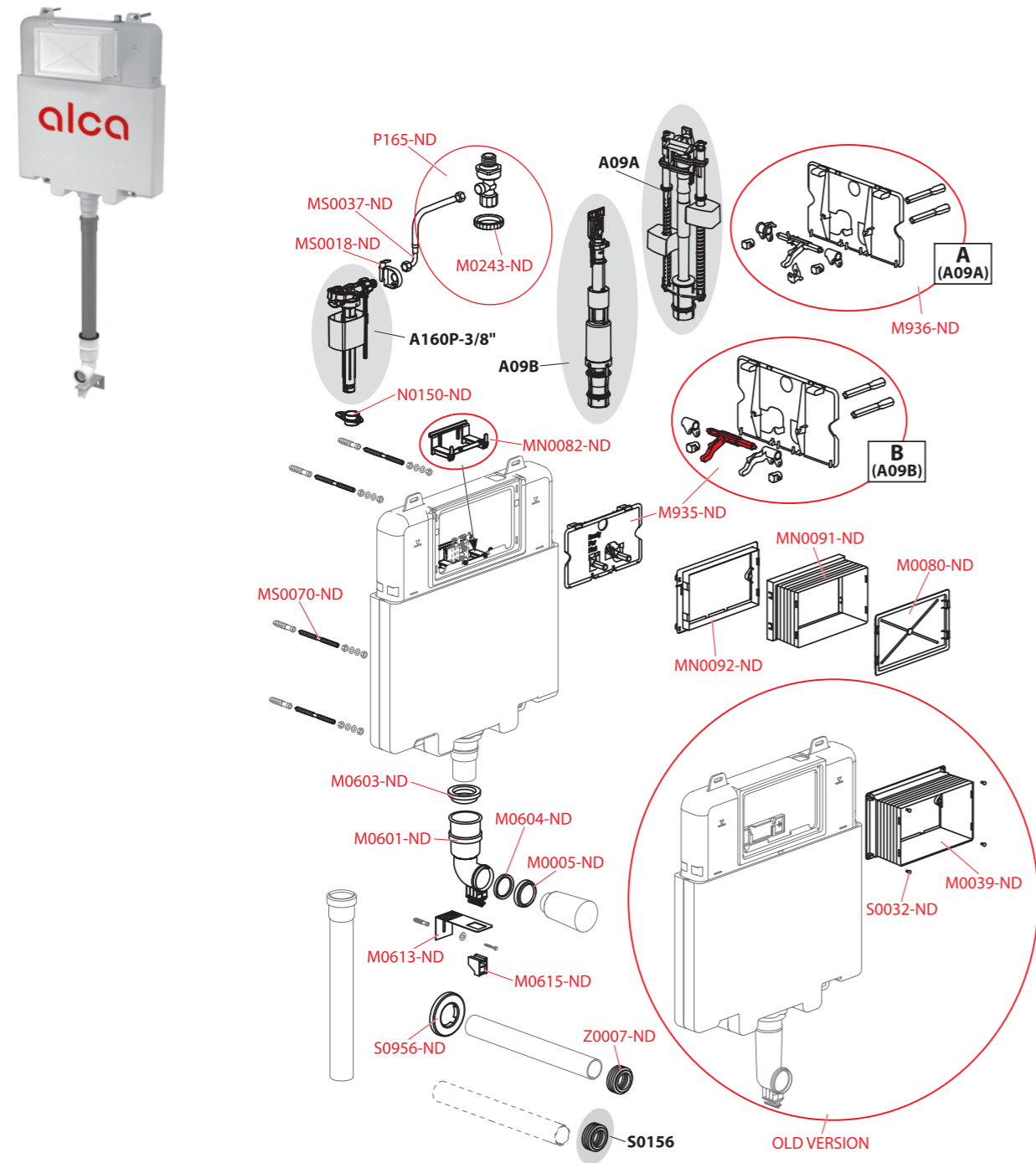
A116/1200



| Rendel. szám |
|--------------|
| M0005-ND |
| M0017C-ND |
| M0021-ND |
| M0023-ND |
| M0026-ND |
| M0028-ND |
| M0029-ND |
| M0039-ND |
| M0043B-ND |

| Rendel. szám |
|--------------|
| M0080-ND |
| M0243-ND |
| M903-ND |
| M905-ND |
| MN0091-ND |
| MN0092-ND |
| MN0115-ND |
| P165-ND |
| S0032-ND |

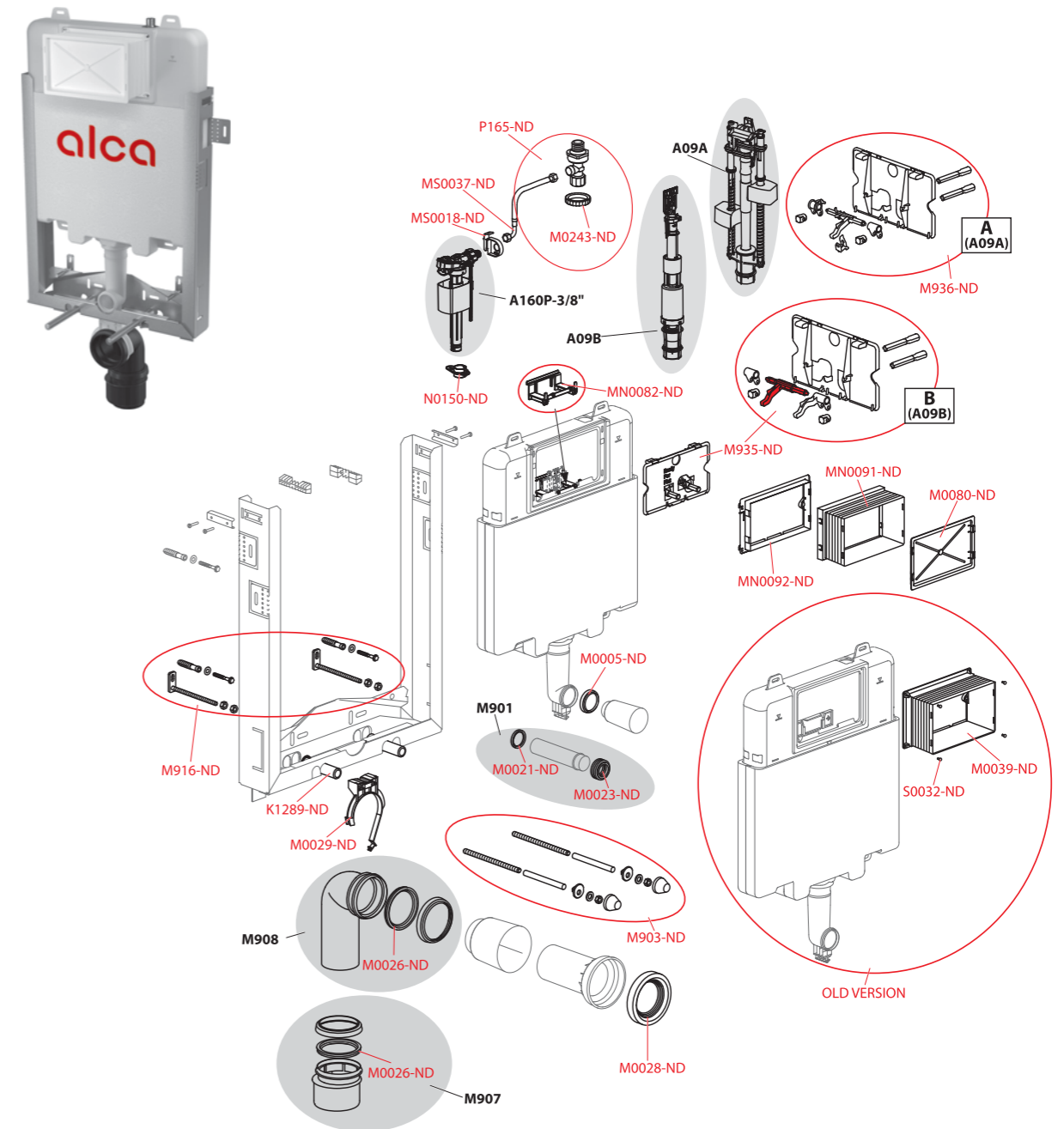
A1112B



| Rendel. szám |
|--------------|
| M0005-ND |
| M0039-ND |
| M0080-ND |
| M0243-ND |
| M0601-ND |
| M0603-ND |
| M0604-ND |
| M0613-ND |
| M0615-ND |
| M935-ND |
| M936-ND |

| Rendel. szám |
|--------------|
| MN0082-ND |
| MN0091-ND |
| MN0092-ND |
| MS0018-ND |
| MS0037-ND |
| MS0070-ND |
| N0150-ND |
| P165-ND |
| S0032-ND |
| S0956-ND |
| Z0007-ND |

A1115/1000, A1115B/1000

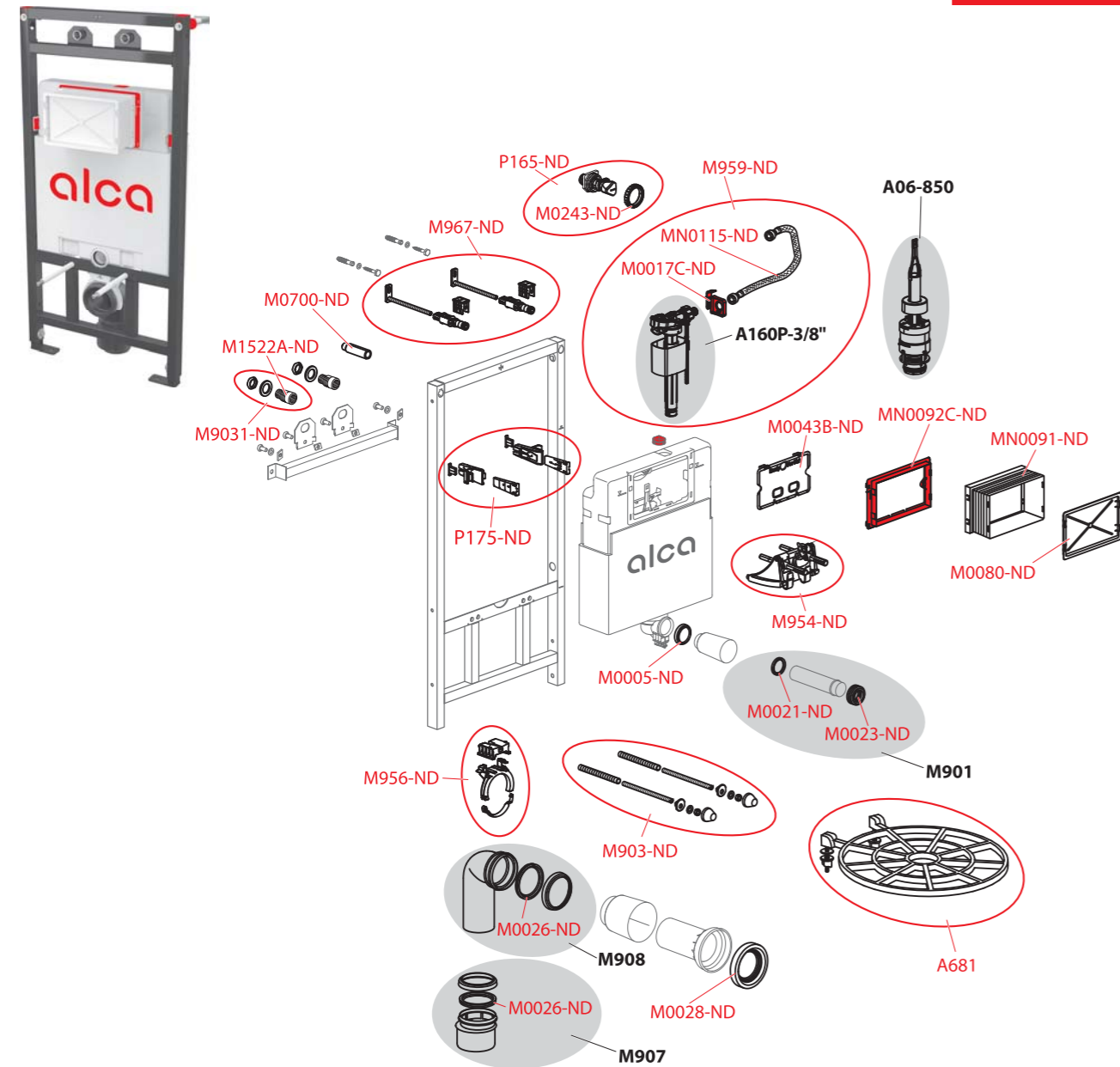


| Rendel. szám |
|--------------|
| K1289-ND |
| M0005-ND |
| M0021-ND |
| M0023-ND |
| M0026-ND |
| M0028-ND |
| M0029-ND |
| M0039-ND |
| M0080-ND |
| M0243-ND |
| M903-ND |

| Rendel. szám |
|--------------|
| M916-ND |
| M935-ND |
| M936-ND |
| MN0082-ND |
| MN0091-ND |
| MN0092-ND |
| MS0018-ND |
| MS0037-ND |
| N0150-ND |
| P165-ND |
| S0032-ND |

A108F

GYÁRTÁS
Q3/2020-TÓL

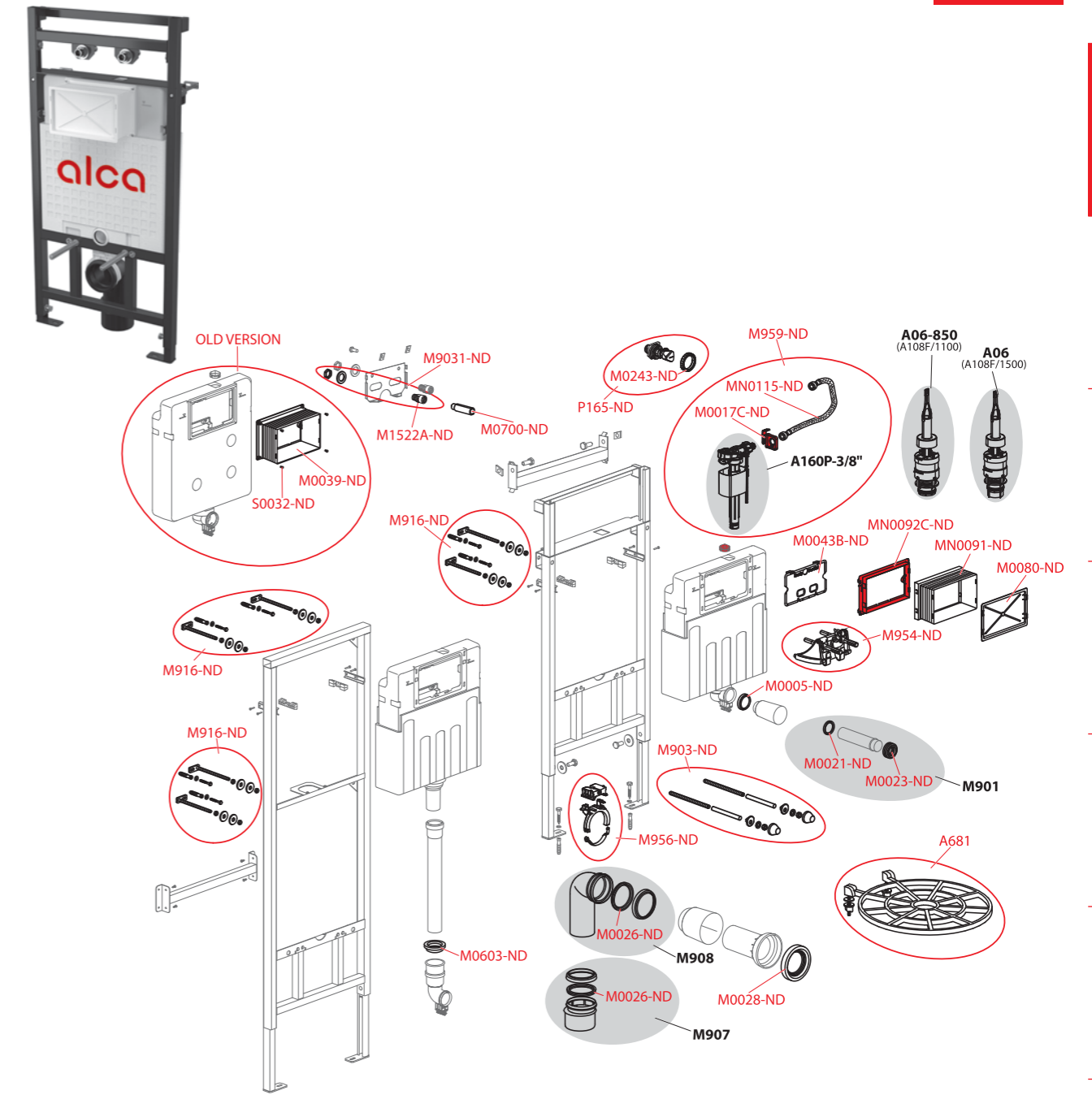


| Rendel. szám |
|--------------|
| A681 |
| M0005-ND |
| M0017C-ND |
| M0021-ND |
| M0023-ND |
| M0026-ND |
| M0028-ND |
| M0043B-ND |
| M0080-ND |
| M0243-ND |
| M0700-ND |
| M1522A-ND |

| Rendel. szám |
|--------------|
| M903-ND |
| M9031-ND |
| M954-ND |
| M956-ND |
| M959-ND |
| M967-ND |
| MN0091-ND |
| MN0092C-ND |
| MN0115-ND |
| P165-ND |
| P175-ND |

A108F

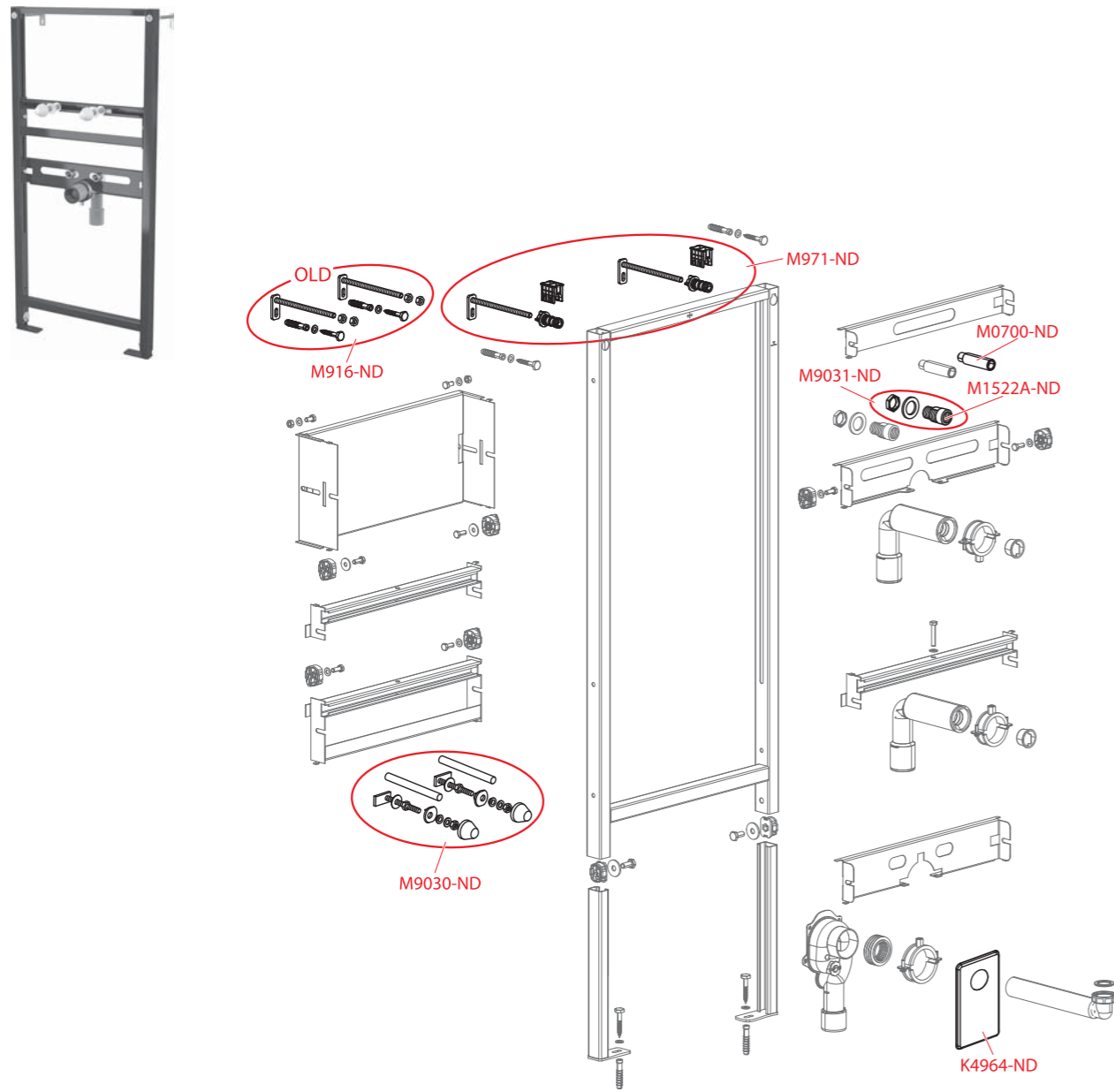
GYÁRTÁS
2015-2020



| Rendel. szám |
|--------------|
| A681 |
| M0005-ND |
| M0017C-ND |
| M0021-ND |
| M0023-ND |
| M0026-ND |
| M0028-ND |
| M0039-ND |
| M0043B-ND |
| M0080-ND |
| M0243-ND |
| M0603-ND |
| M0700-ND |

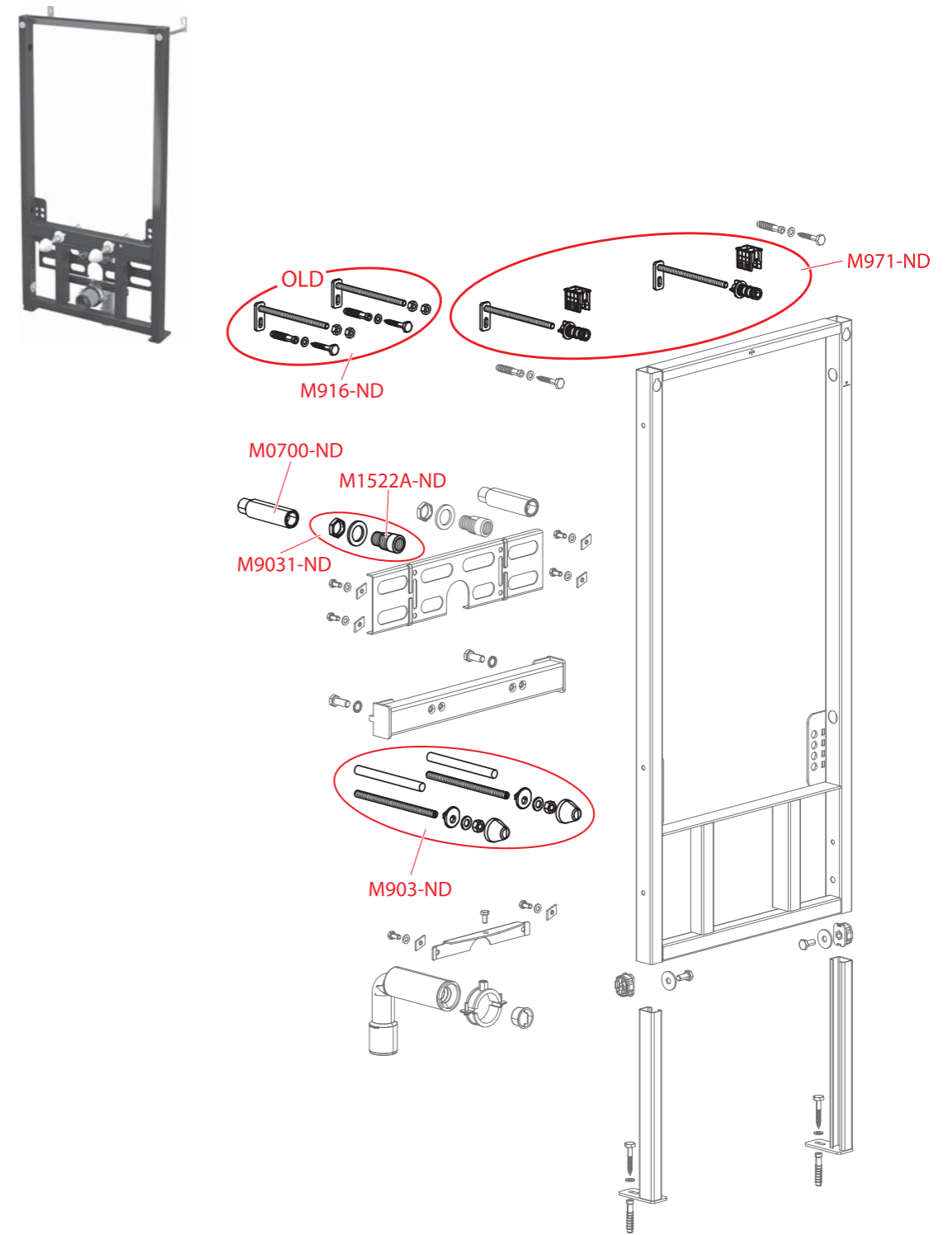
| Rendel. szám |
|--------------|
| M1522A-ND |
| M903-ND |
| M9031-ND |
| M916-ND |
| M954-ND |
| M956-ND |
| M959-ND |
| MN0091-ND |
| MN0092C-ND |
| MN0115-ND |
| P165-ND |
| S0032-ND |

A104, A104A, A104B, A104PB, A104AVS



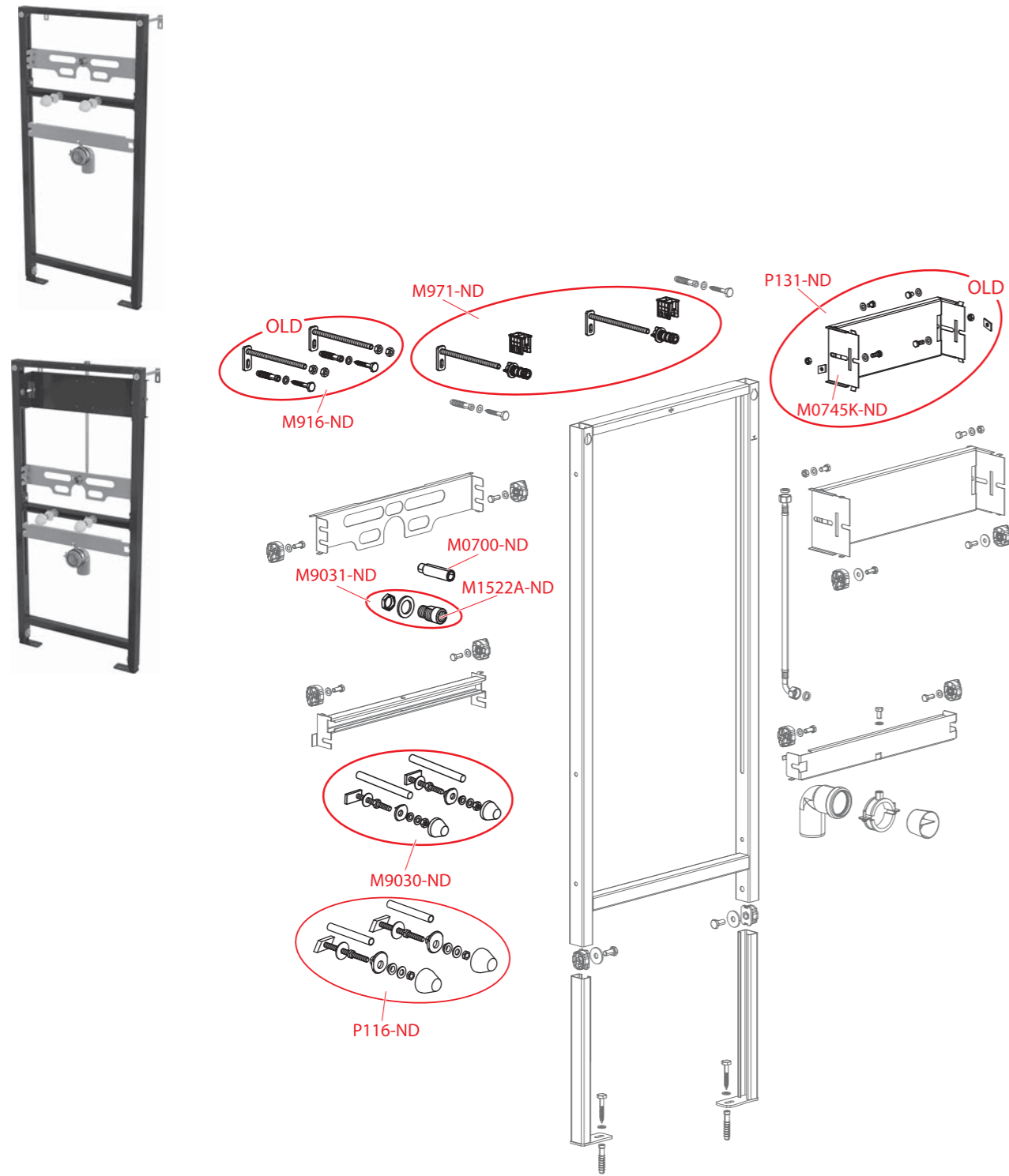
| Rendel. szám |
|--------------|
| K4964-ND |
| M0700-ND |
| M1522A-ND |
| M9030-ND |
| M9031-ND |
| M916-ND |
| M971-ND |

A105



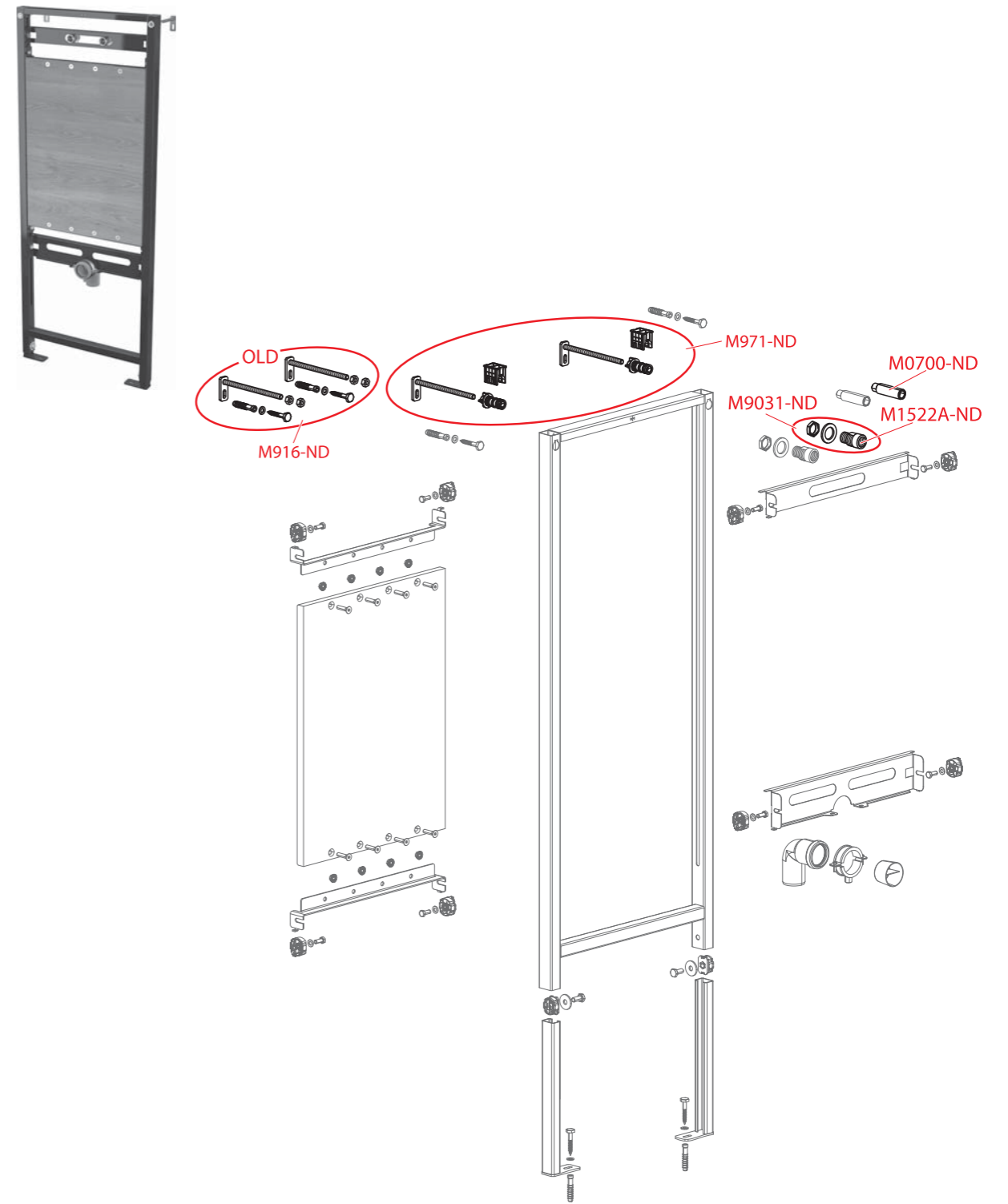
| Rendel. szám |
|--------------|
| M0700-ND |
| M1522A-ND |
| M903-ND |
| M9031-ND |
| M916-ND |
| M971-ND |

A107, A107S



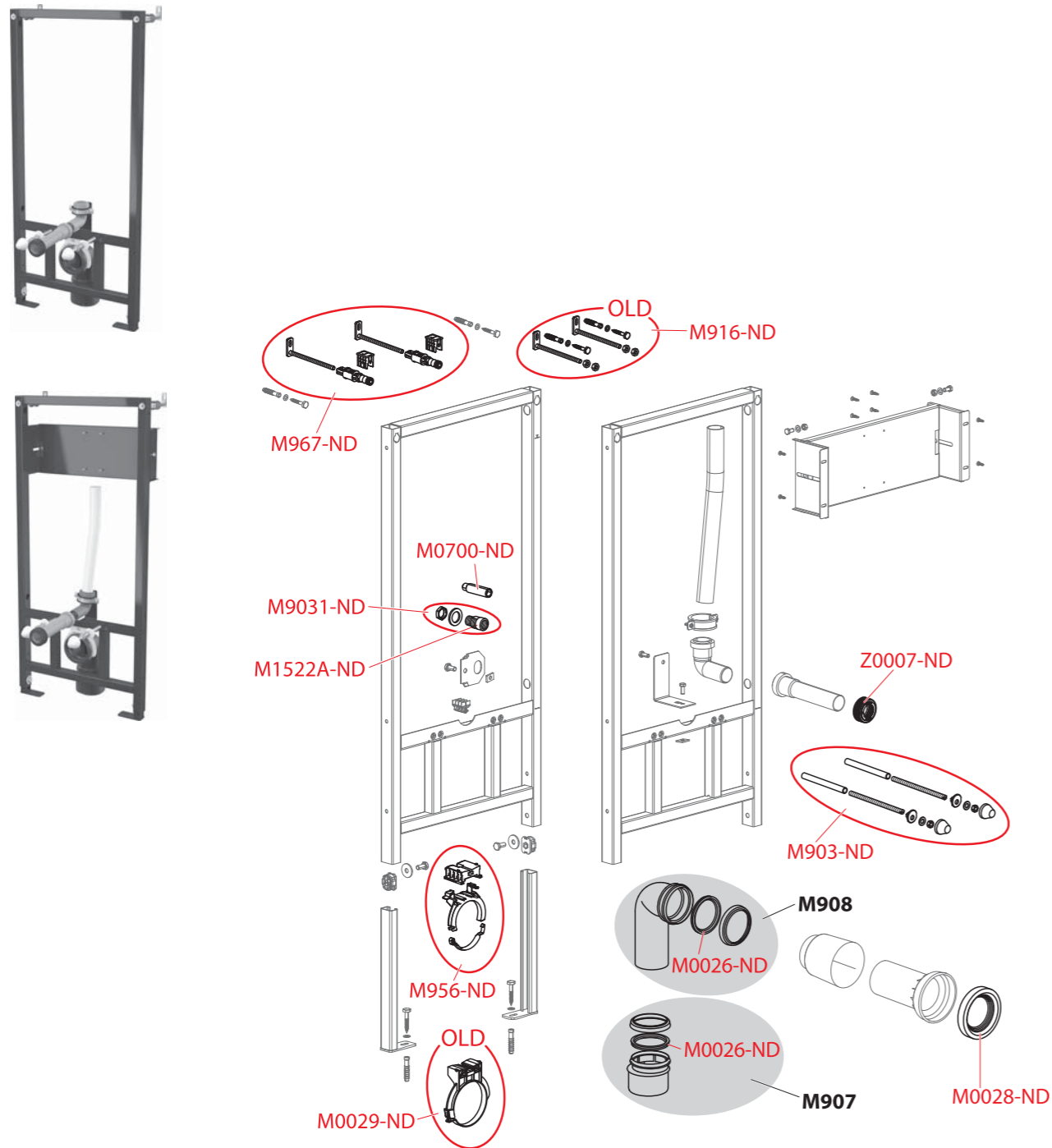
| Rendel. szám |
|--------------|
| M0700-ND |
| M0745K-ND |
| M1522A-ND |
| M9030-ND |
| M9031-ND |
| M916-ND |
| M971-ND |
| P116-ND |
| P131-ND |

A108



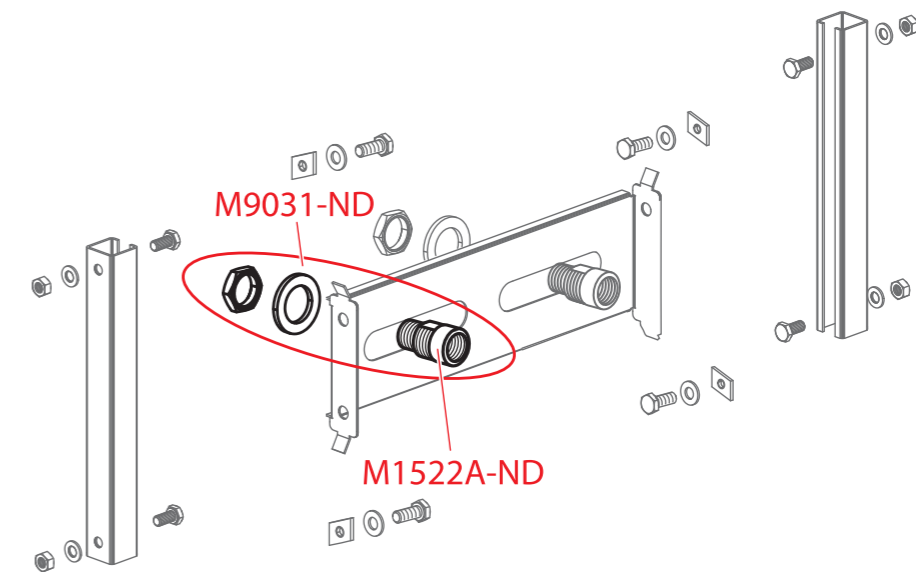
| Rendel. szám |
|--------------|
| M0700-ND |
| M1522A-ND |
| M9031-ND |
| M916-ND |
| M971-ND |

A113, A114, A114S



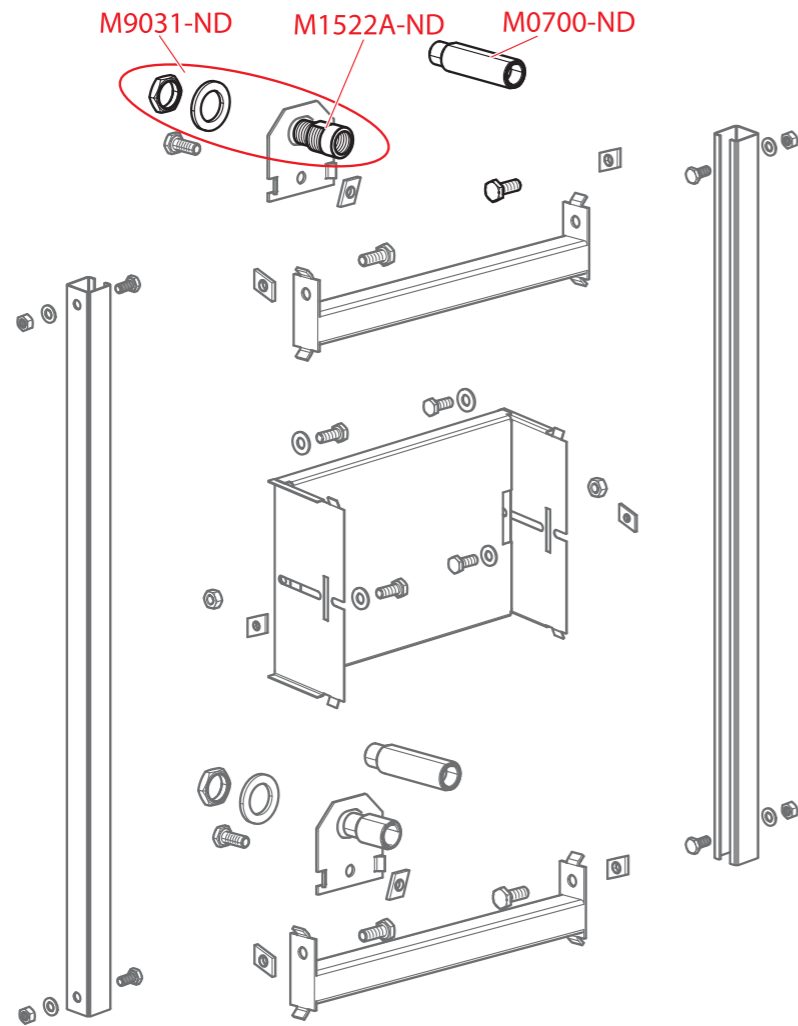
| Rendel. szám |
|--------------|
| M0026-ND |
| M0028-ND |
| M0029-ND |
| M0700-ND |
| M1522A-ND |
| M903-ND |
| M9031-ND |
| M916-ND |
| M956-ND |
| M967-ND |
| Z0007-ND |

A117B



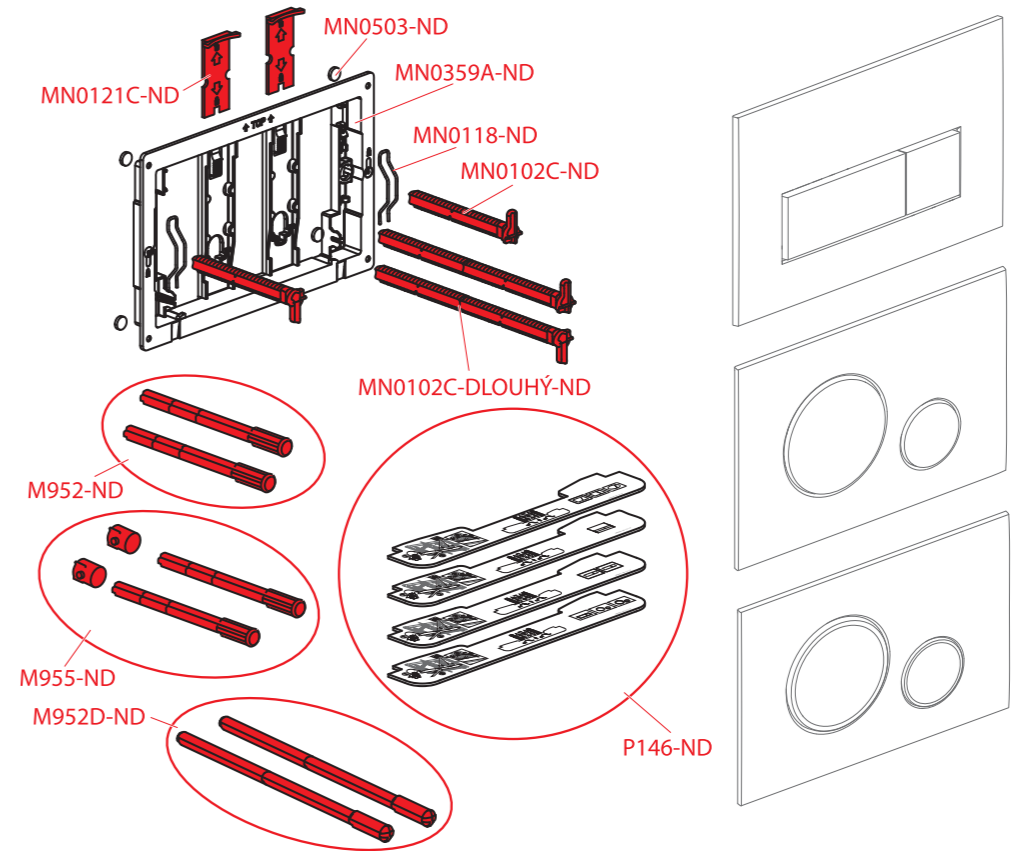
| Rendel. szám |
|--------------|
| M1522A-ND |
| M9031-ND |

A117PB



| Rendel. szám |
|--------------|
| M0700-ND |
| M1522A-ND |
| M9031-ND |

M770-M776, M670-M676, M570-M576

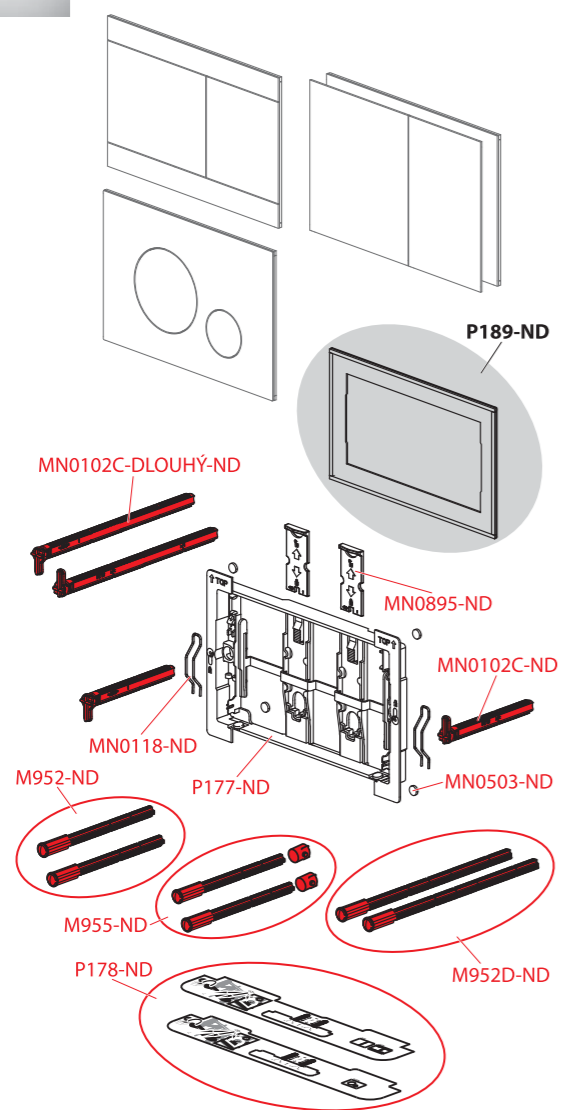


| Rendel. szám |
|-------------------|
| M952-ND |
| M952D-ND |
| M955-ND |
| MN0102C-DLOUHÝ-ND |
| MN0102C-ND |
| MN0118-ND |
| MN0121C-ND |
| MN0359A-ND |
| MN0503-ND |
| P146-ND |

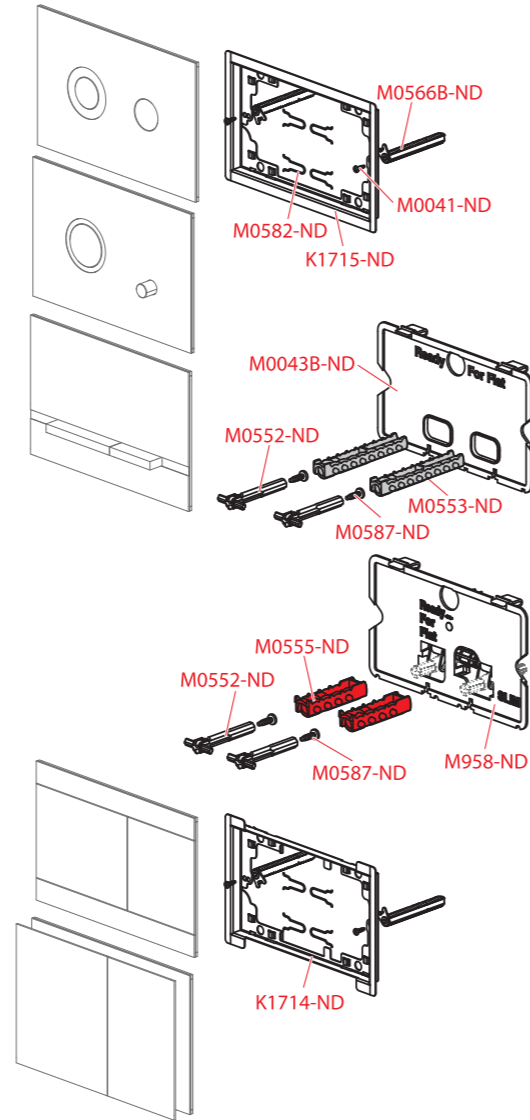
AIR, FUN, TURN, STING, STRIPE, AIR LIGHT, AIR LIGHT R



GYÁRTÁS
Q2/2021-TŐL



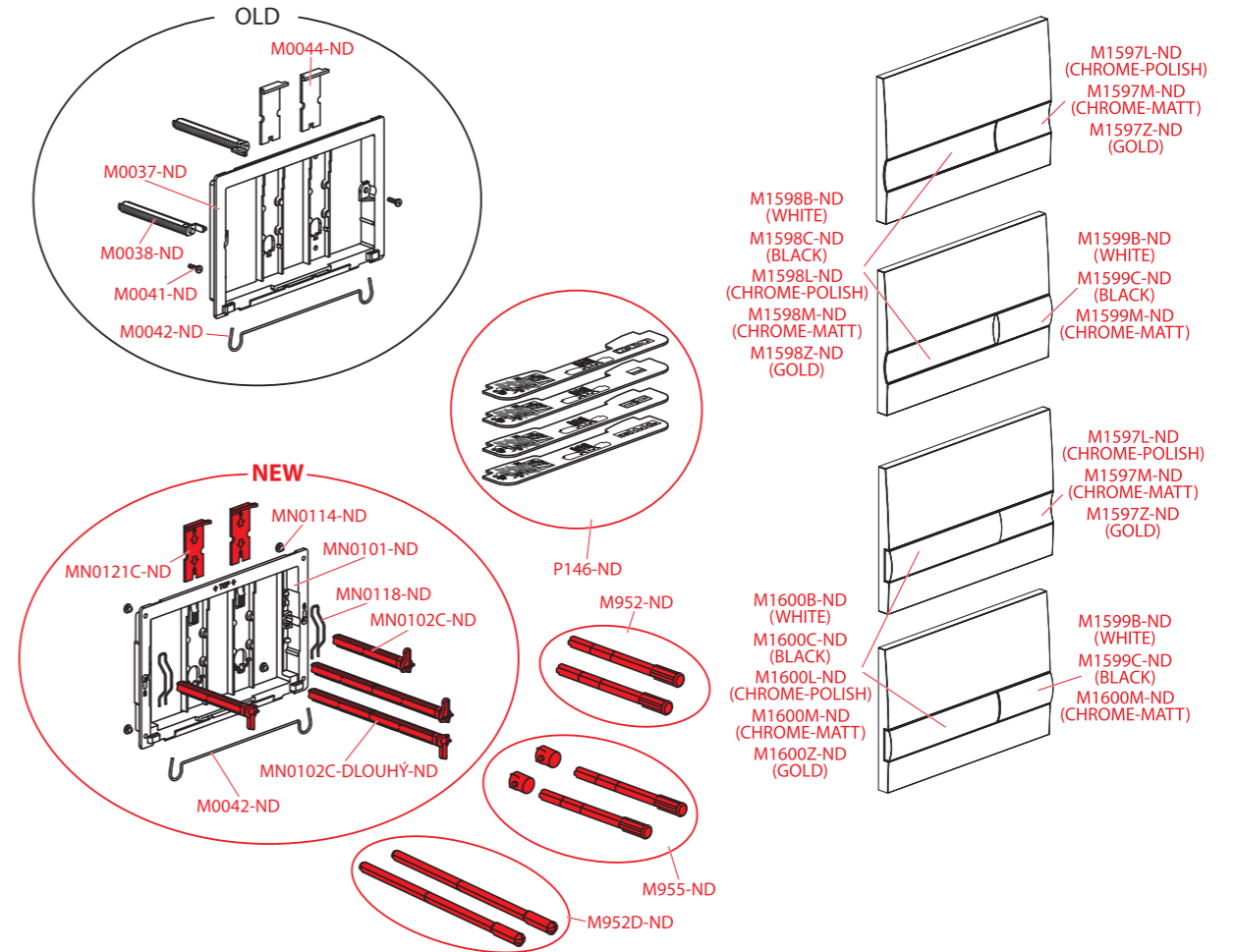
GYÁRTÁS
2013-TŐL



| Rendel. szám |
|--------------|
| K1714-ND |
| K1715-ND |
| M0041-ND |
| M0043B-ND |
| M0552-ND |
| M0553-ND |
| M0555-ND |
| M0566B-ND |
| M0582-ND |
| M0587-ND |
| M952-ND |

| Rendel. szám |
|-------------------|
| M952D-ND |
| M955-ND |
| M958-ND |
| MN0102C-DLOUHÝ-ND |
| MN0102C-ND |
| MN0118-ND |
| MN0503-ND |
| MN0895-ND |
| P177-ND |
| P178-ND |

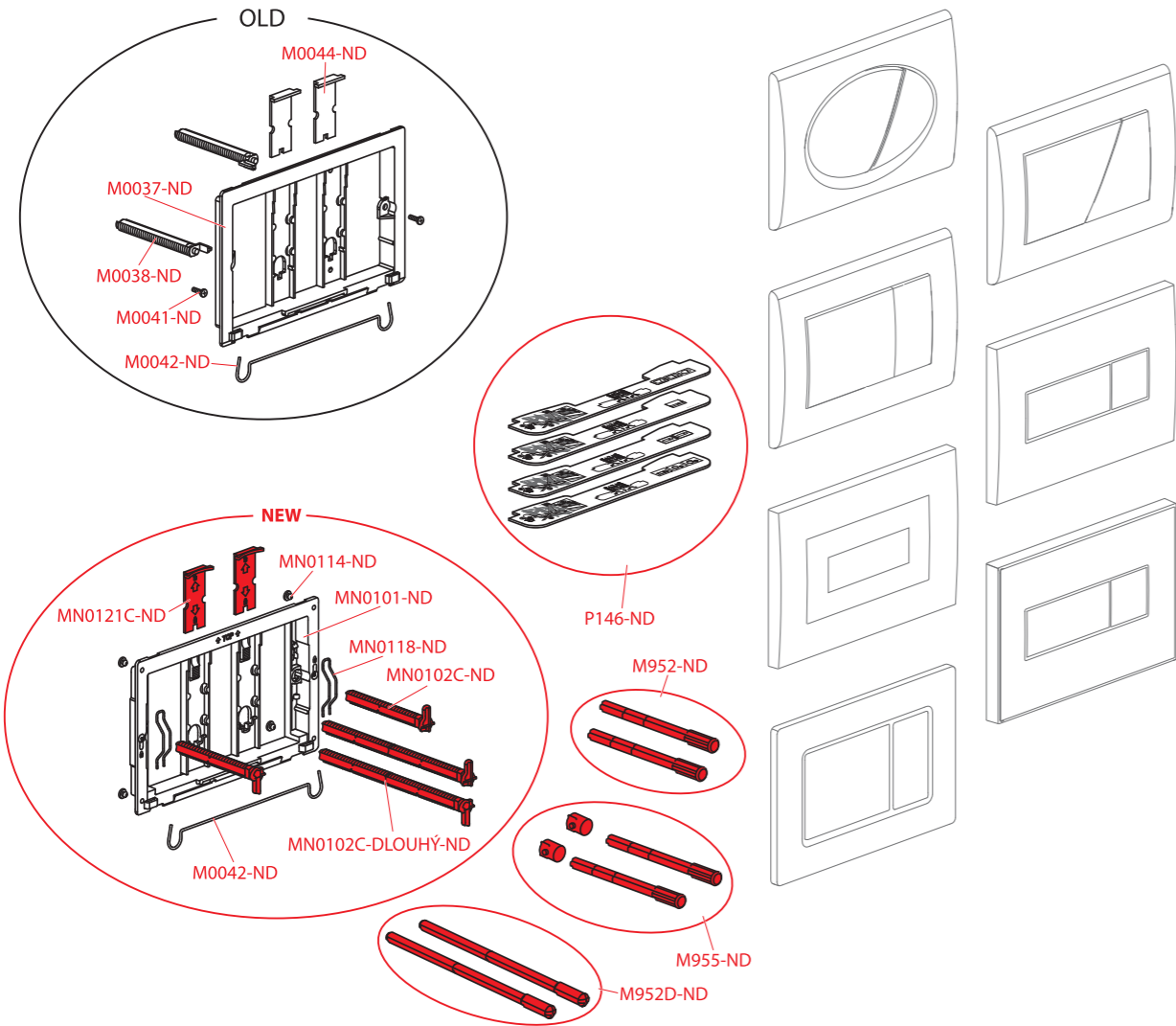
M1710-M1745



| Rendel. szám |
|--------------|
| M0037-ND |
| M0038-ND |
| M0041-ND |
| M0042-ND |
| M0044-ND |
| M1597L-ND |
| M1597M-ND |
| M1597Z-ND |
| M1598B-ND |
| M1598C-ND |
| M1598L-ND |
| M1598M-ND |
| M1598Z-ND |
| M1599B-ND |
| M1599C-ND |
| M1599M-ND |

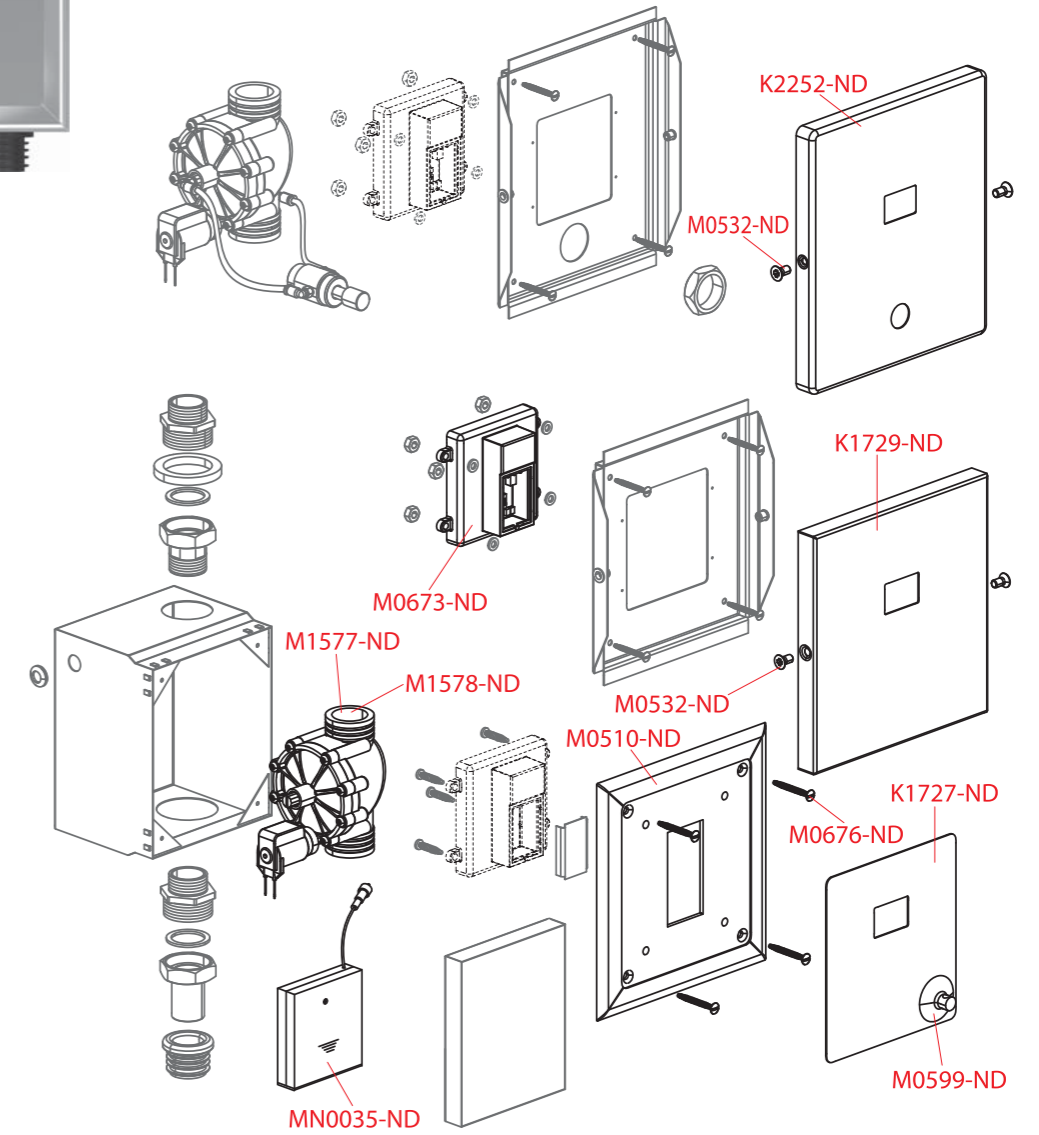
| Rendel. szám |
|-------------------|
| M1600B-ND |
| M1600C-ND |
| M1600L-ND |
| M1600M-ND |
| M1600Z-ND |
| M952-ND |
| M952D-ND |
| M955-ND |
| MN0101-ND |
| MN0102C-DLOUHÝ-ND |
| MN0102C-ND |
| MN0114-ND |
| MN0118-ND |
| MN0121C-ND |
| P146-ND |

M70-M75, M170-M175, M270-M275, M370-M375, M470-M475, M1370-M1375



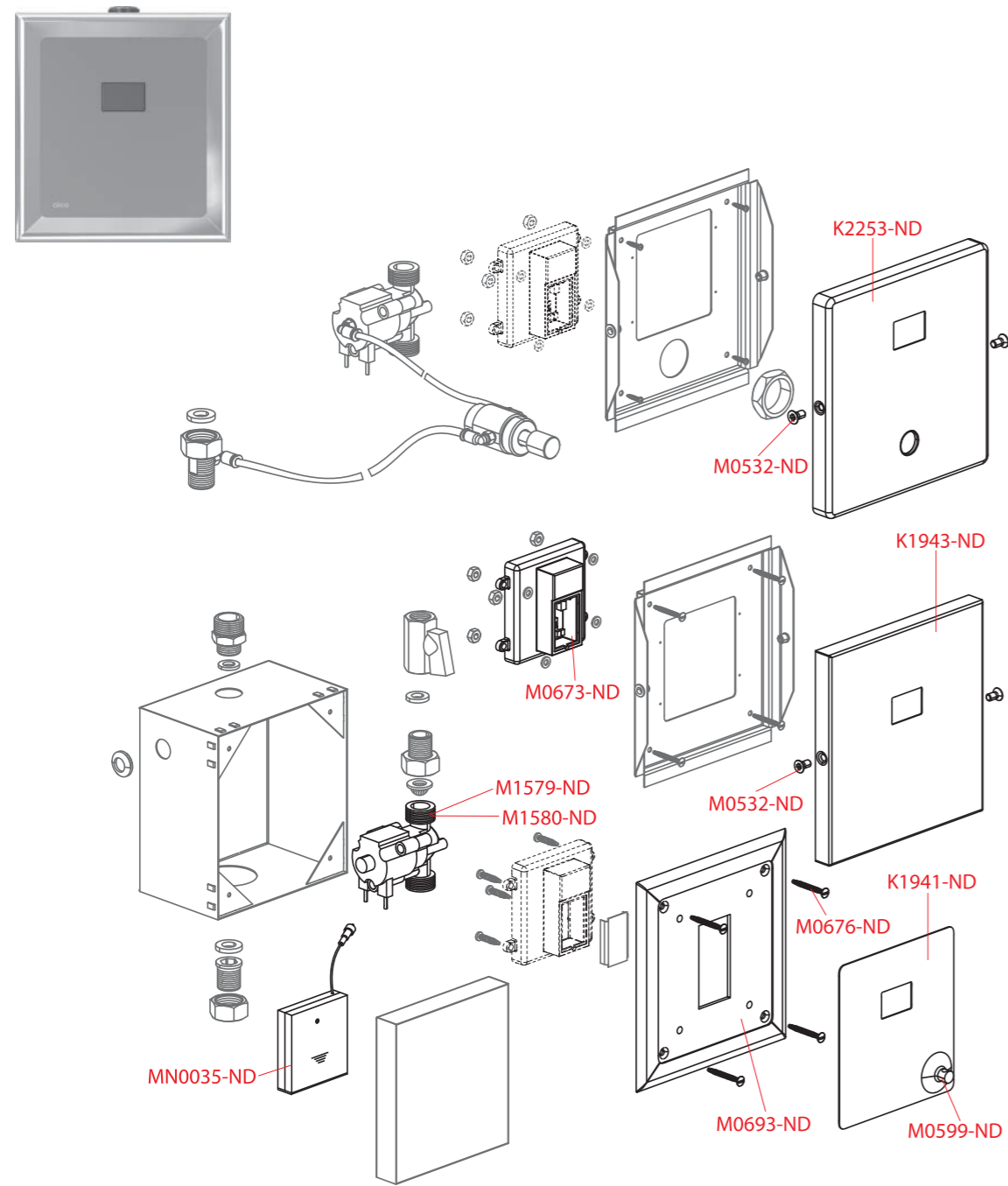
| Rendel. szám |
|-------------------|
| M0037-ND |
| M0038-ND |
| M0041-ND |
| M0042-ND |
| M0044-ND |
| M952-ND |
| M952D-ND |
| M955-ND |
| MN0101-ND |
| MN0102C-DLOUHÝ-ND |
| MN0102C-ND |
| MN0114-ND |
| MN0118-ND |
| MN0121C-ND |
| P146-ND |

ASP3



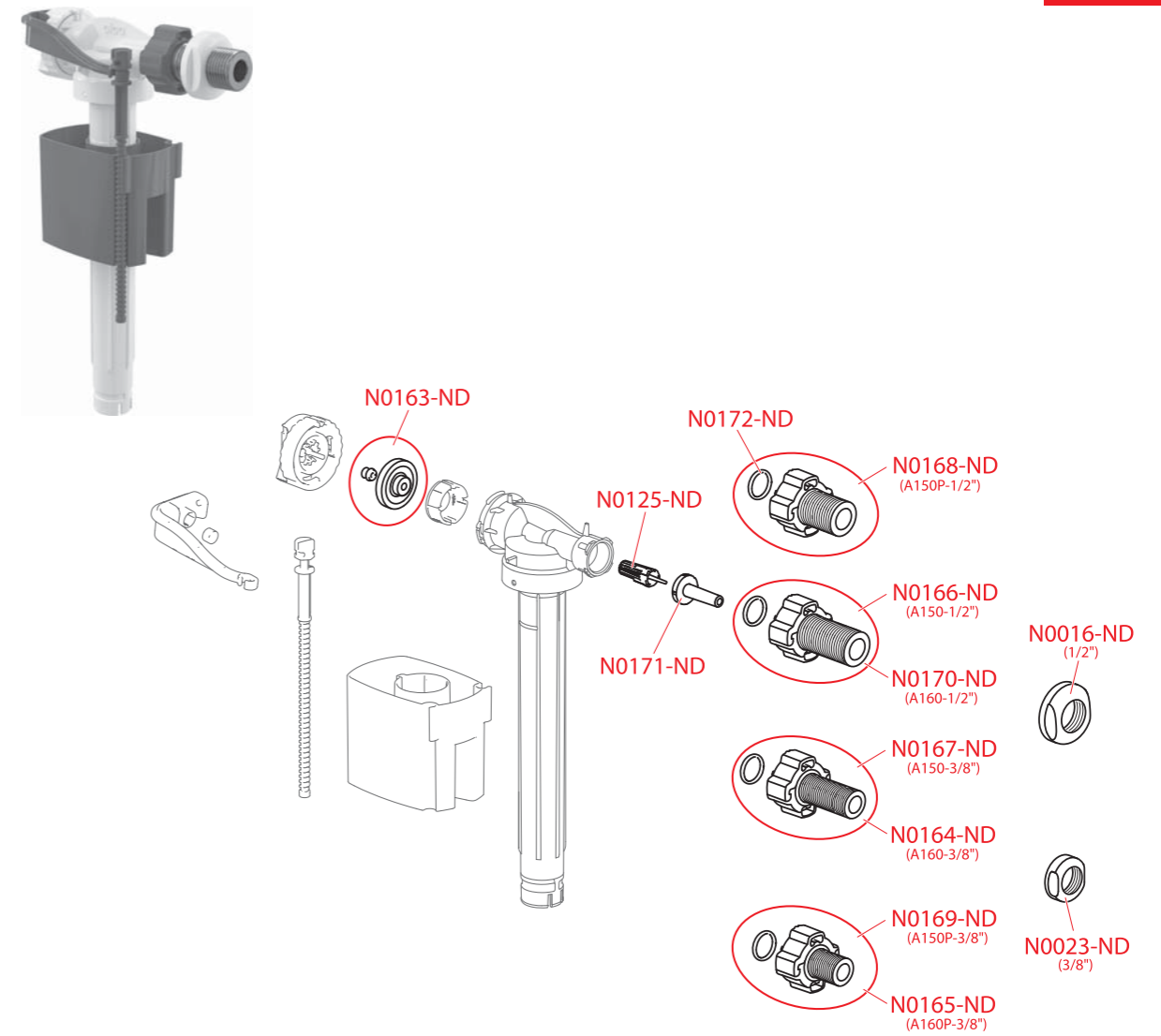
| Rendel. szám |
|--------------|
| K1727-ND |
| K1729-ND |
| K2252-ND |
| M0510-ND |
| M0532-ND |
| M0599-ND |
| M0673-ND |
| M0676-ND |
| M1577-ND |
| M1578-ND |
| MN0035-ND |

ASP4



| Rendel. szám |
|--------------|
| K1941-ND |
| K1943-ND |
| K2253-ND |
| M0532-ND |
| M0599-ND |
| M0673-ND |
| M0676-ND |
| M0693-ND |
| M1579-ND |
| M1580-ND |
| MN0035-ND |

A150, A160, A150P, A160P



| Rendel. szám |
|--------------|
| N0016-ND |
| N0023-ND |
| N0125-ND |
| N0163-ND |
| N0164-ND |
| N0165-ND |
| N0166-ND |
| N0167-ND |
| N0168-ND |
| N0169-ND |
| N0170-ND |
| N0171-ND |
| N0172-ND |

GYÁRTÁS
2Q/2021-TŐL

Tartozékok

Felső alatti szerelési
rendszerek

Nyomólapok
és szenzor program

Szelepek

WC üllőkék

Zuhanyfolyókák

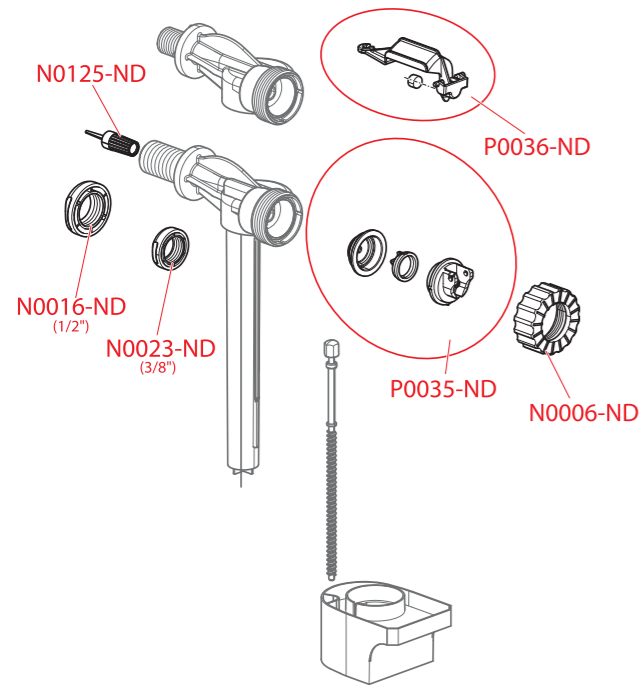
Kültéri vízelvezetés

Padlószefelőlyők

Szifonok

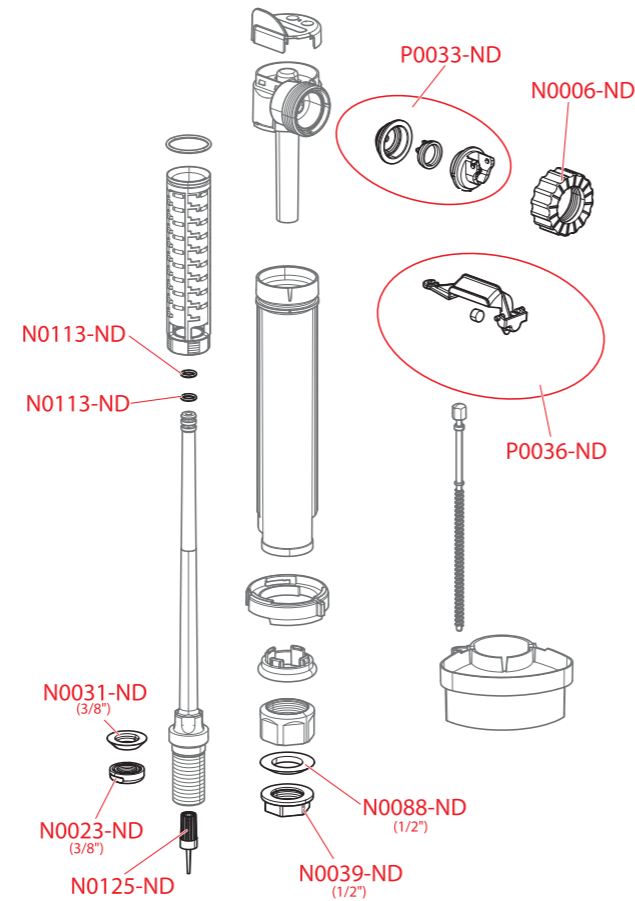
WC tartozékok

A15, A16



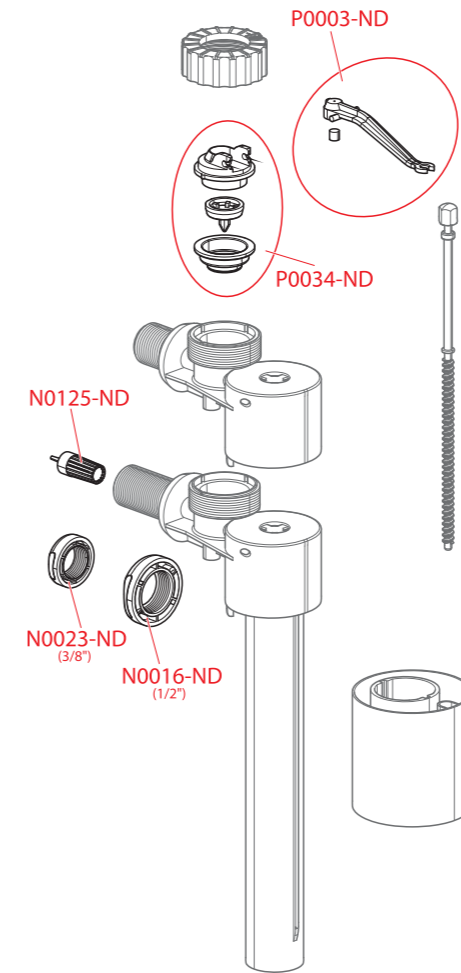
| Rendel. szám |
|--------------|
| N0006-ND |
| N0016-ND |
| N0023-ND |
| N0031-ND |
| N0039-ND |
| N0088-ND |

A17, A18



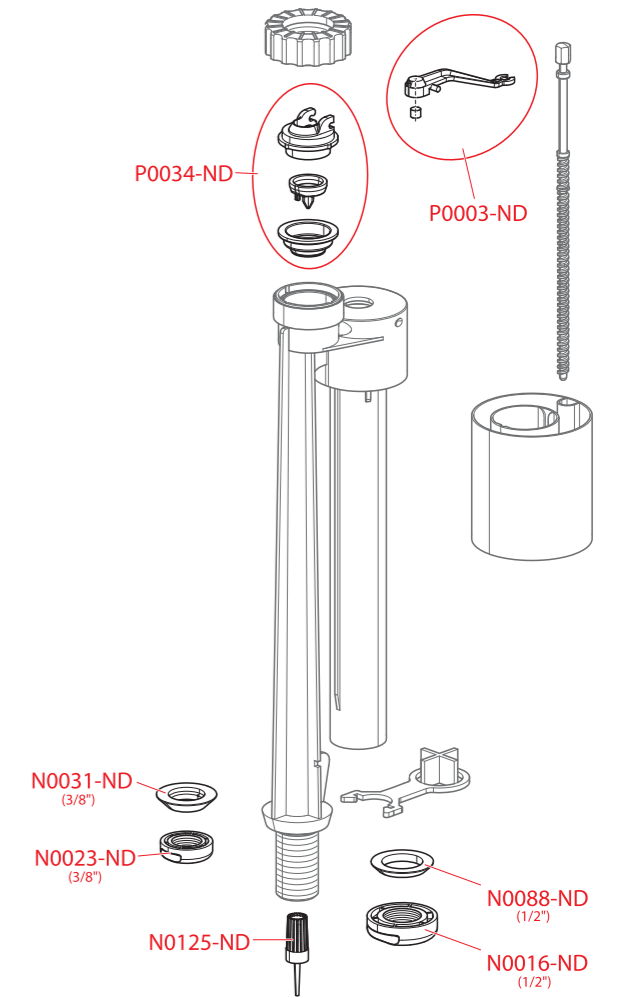
| Rendel. szám |
|--------------|
| N0113-ND |
| N0125-ND |
| P0033-ND |
| P0035-ND |
| P0036-ND |

A11, A13, CH11, CH11P



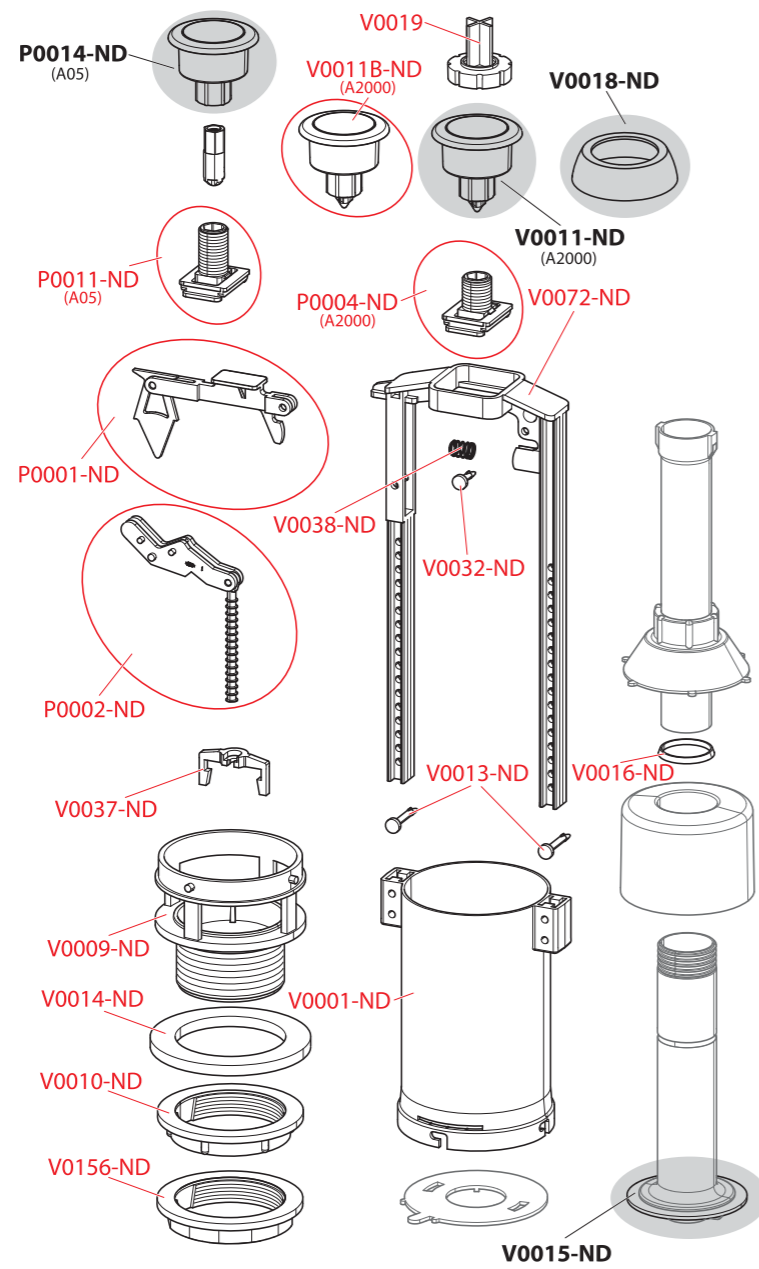
| Rendel. szám |
|--------------|
| N0016-ND |
| N0023-ND |
| N0031-ND |
| N0088-ND |
| N0125-ND |
| P0003-ND |
| P0034-ND |

A12, A14



| Rendel. szám |
|-----------------|
| N0031-ND (3/8") |
| N0023-ND (3/8") |
| N0125-ND |
| N0088-ND (1/2") |
| N0016-ND (1/2") |

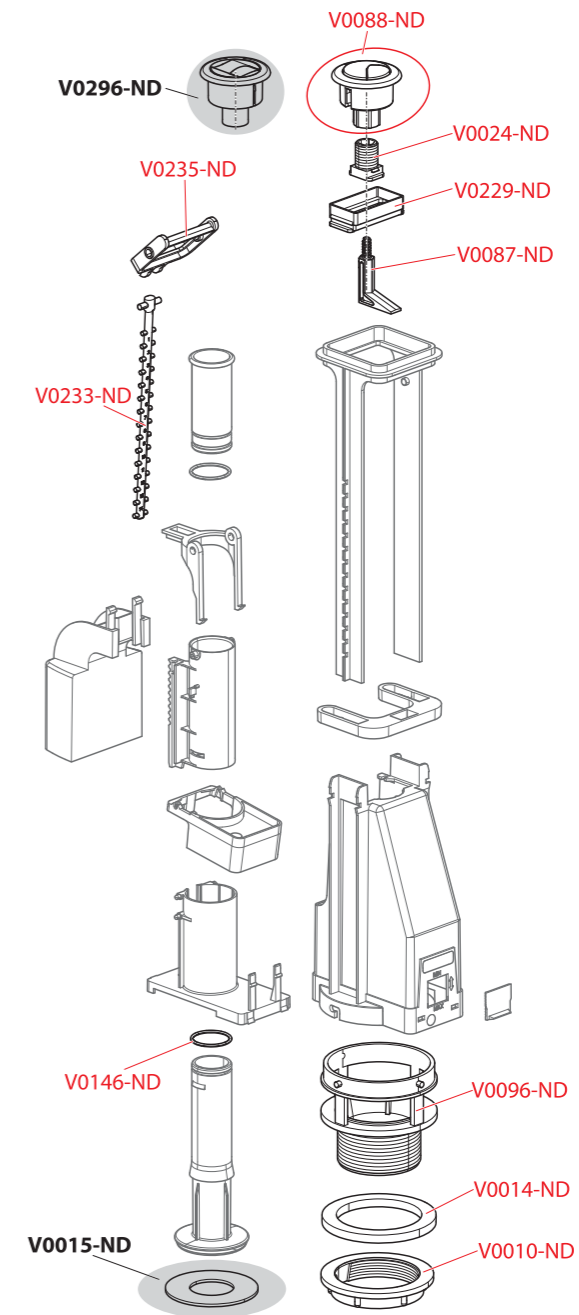
A05, A2000



| Rendel. szám |
|--------------|
| P0001-ND |
| P0002-ND |
| P0004-ND |
| P0011-ND |
| V0001-ND |
| V0009-ND |
| V0010-ND |
| V0011B-ND |
| V0013-ND |

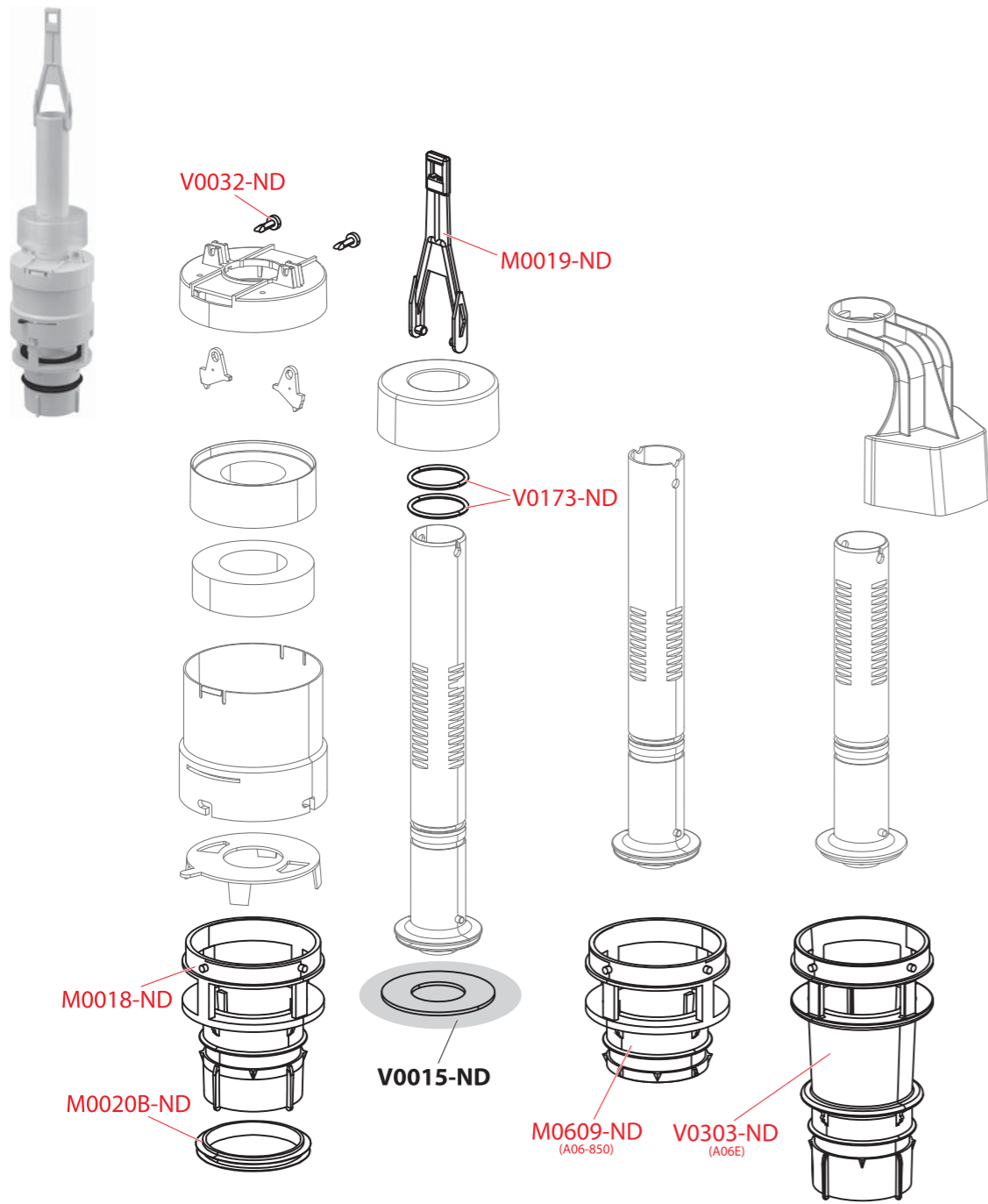
| Rendel. szám |
|--------------|
| V0014-ND |
| V0016-ND |
| V0019-ND |
| V0032-ND |
| V0037-ND |
| V0038-ND |
| V0072-ND |
| V0156-ND |

A08, A08A



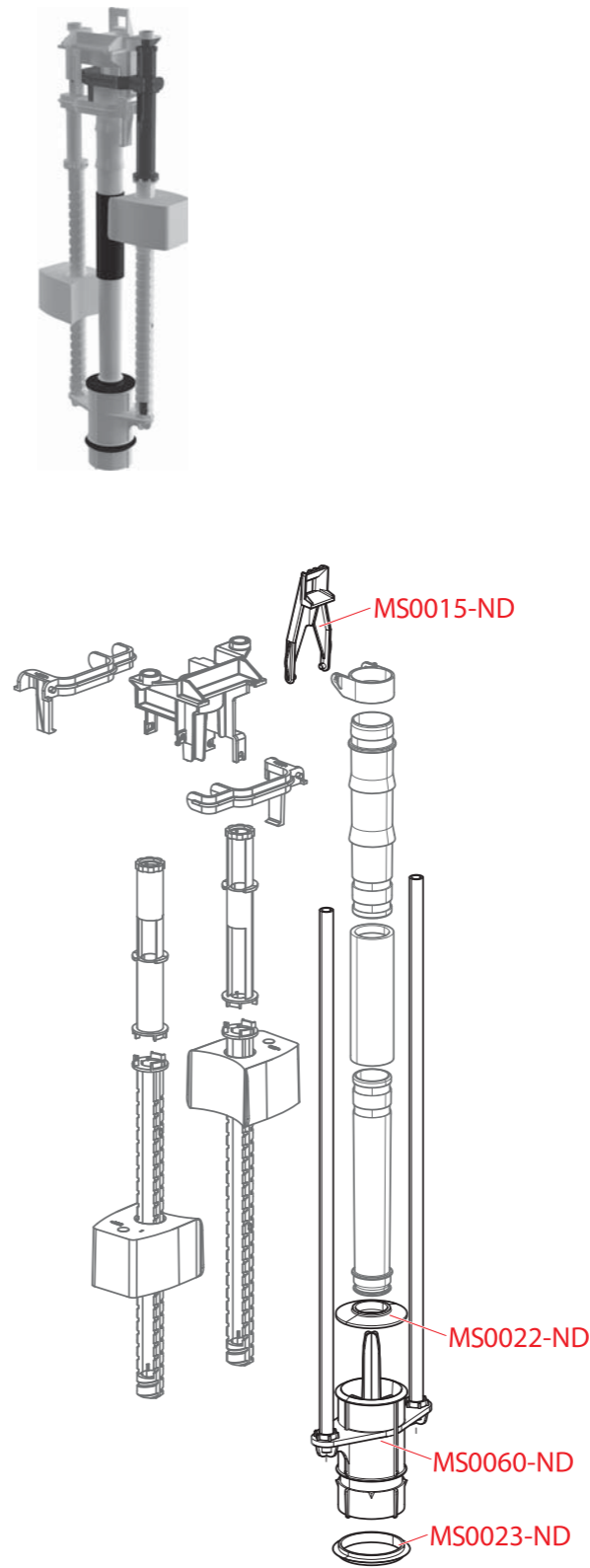
| Rendel. szám |
|--------------|
| V0010-ND |
| V0014-ND |
| V0024-ND |
| V0087-ND |
| V0088-ND |
| V0096-ND |
| V0146-ND |
| V0229-ND |
| V0233-ND |
| V0235-ND |

A06, A06E



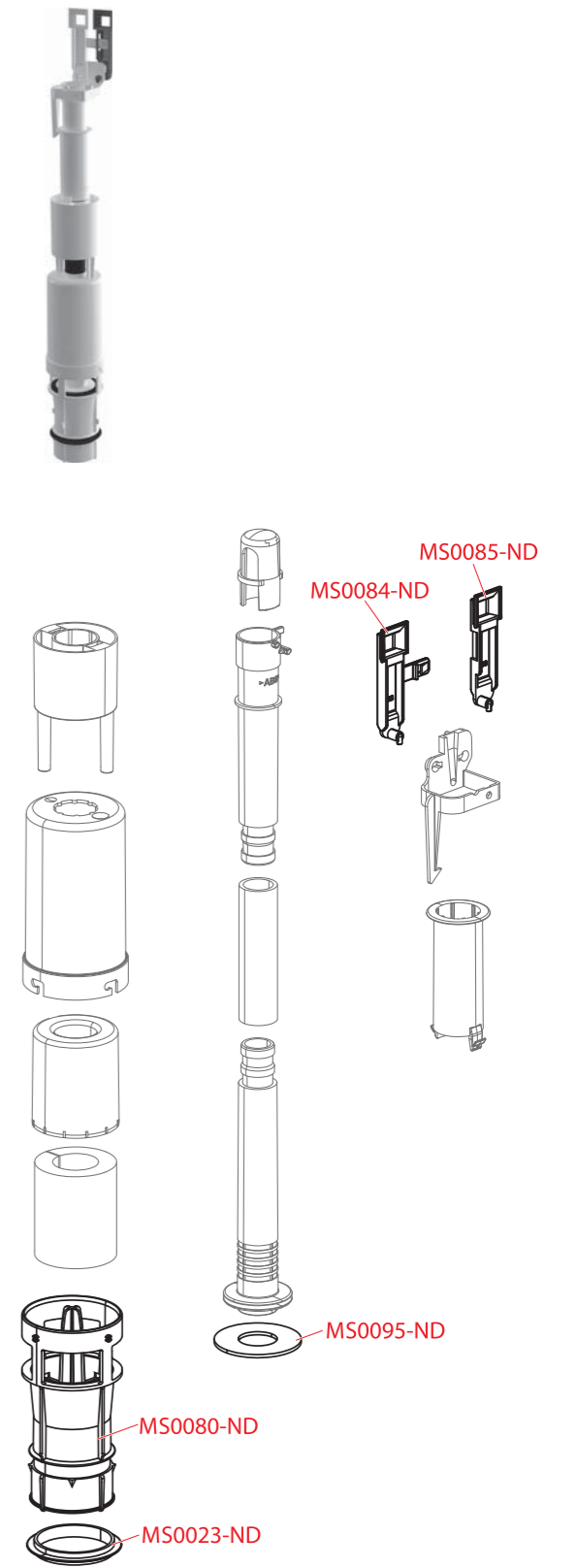
| Rendel. szám |
|--------------|
| M0018-ND |
| M0019-ND |
| M0020B-ND |
| M0609-ND |
| V0032-ND |
| V0173-ND |
| V0303-ND |

A09A



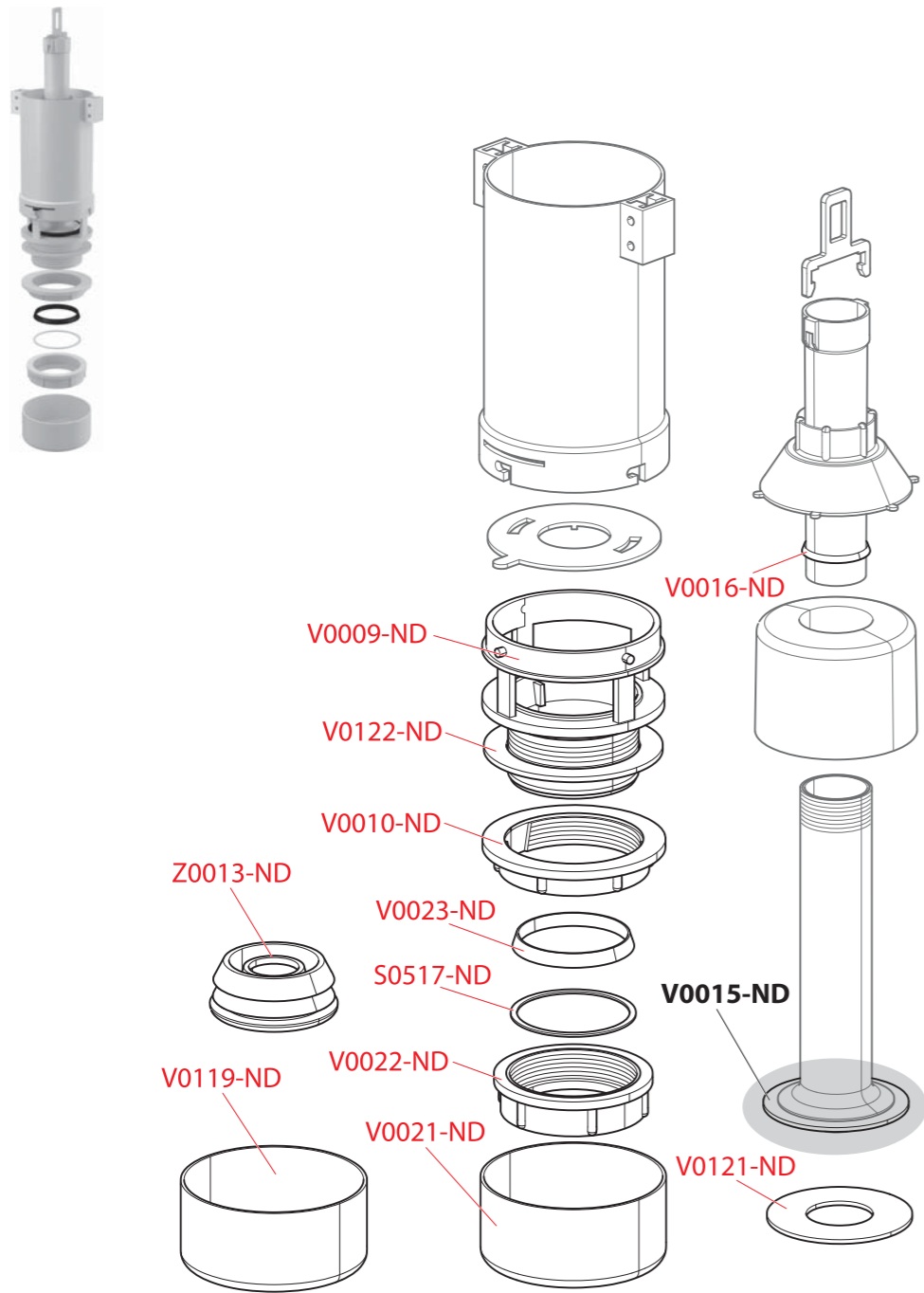
| Rendel. szám |
|--------------|
| MS0015-ND |
| MS0022-ND |
| MS0060-ND |

A09B



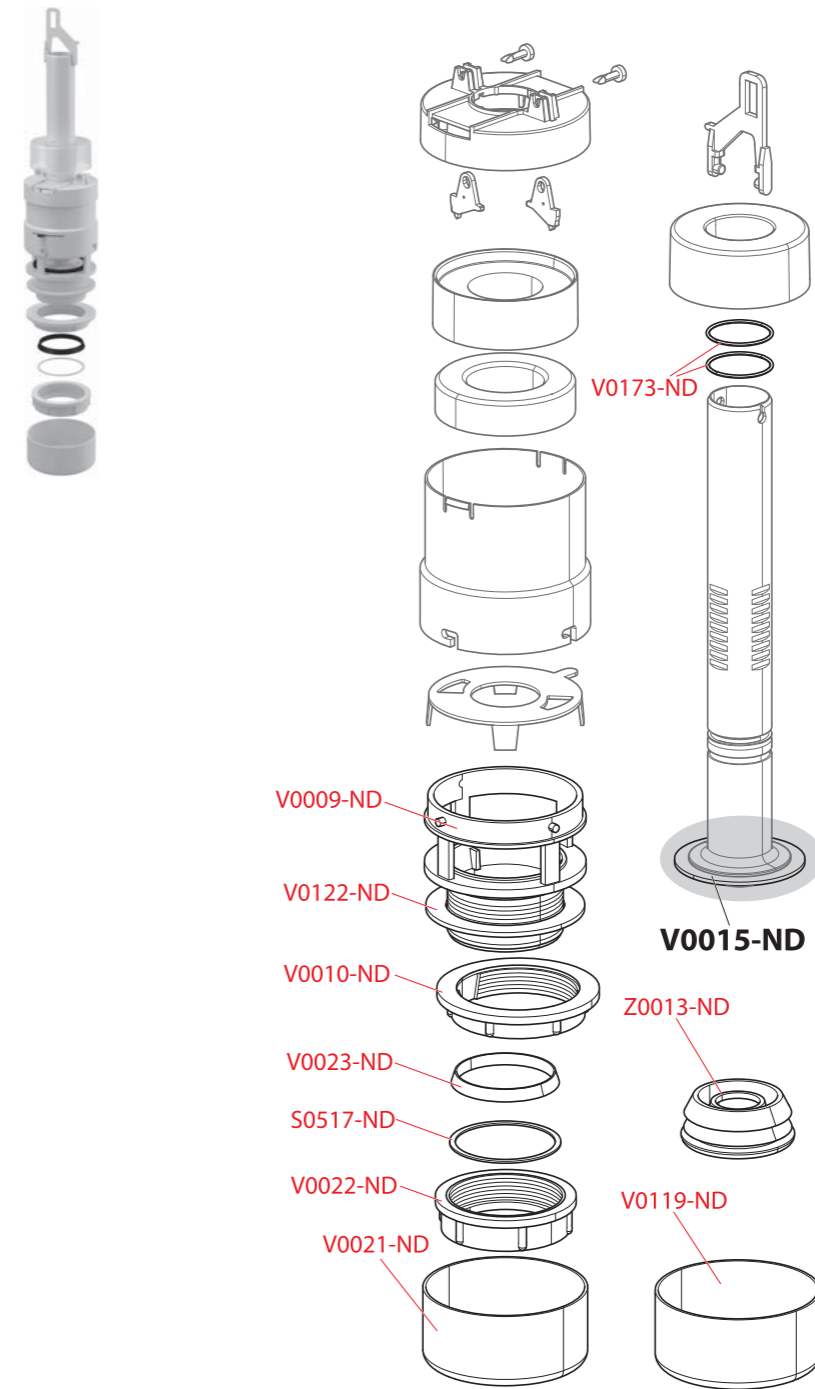
| Rendel. szám |
|--------------|
| MS0023-ND |
| MS0080-ND |
| MS0084-ND |
| MS0085-ND |
| MS0095-ND |

A02, A03, A03A



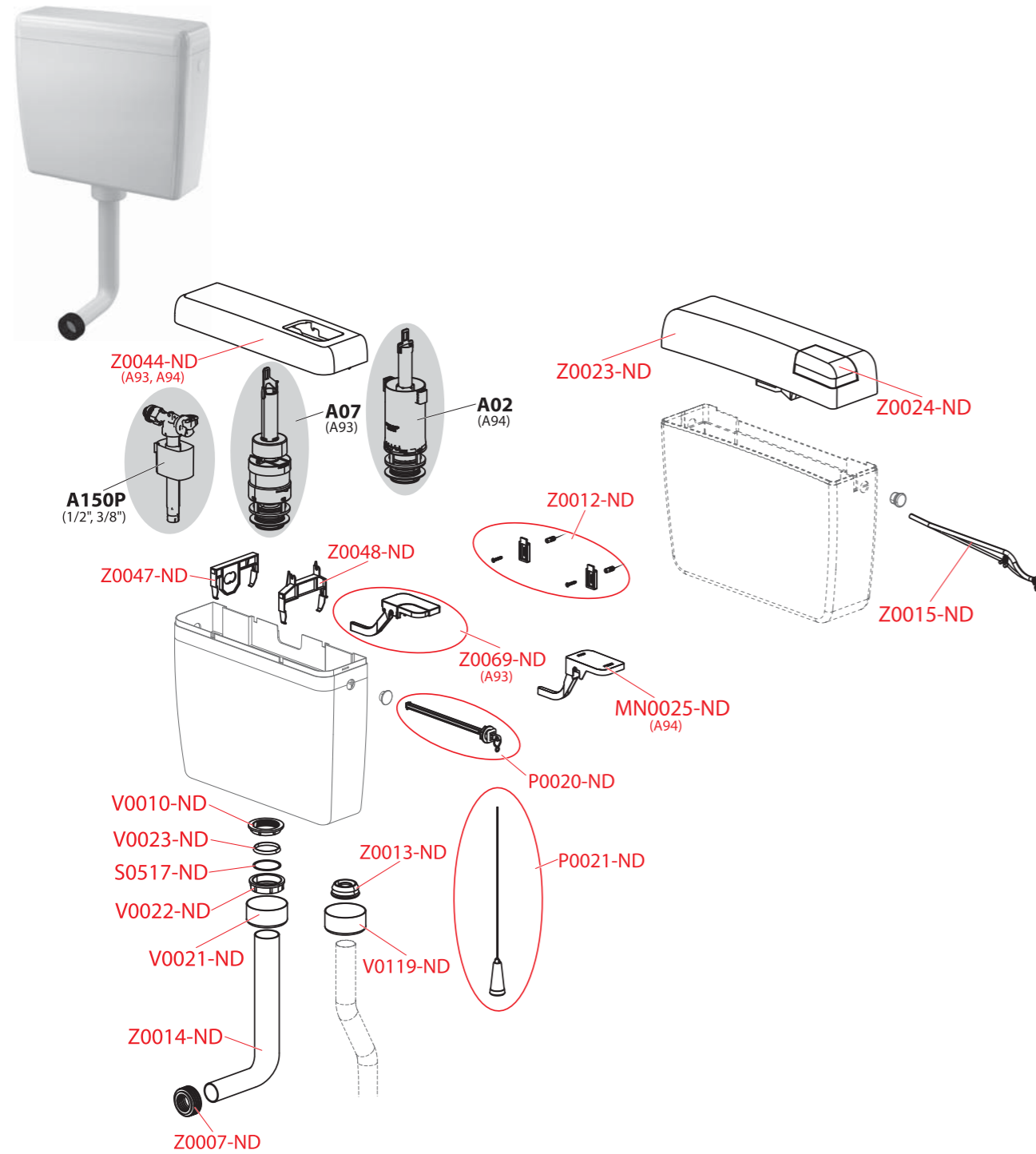
| Rendel. szám |
|--------------|
| S0517-ND |
| V0009-ND |
| V0010-ND |
| V0016-ND |
| V0021-ND |
| V0022-ND |
| V0023-ND |
| V0119-ND |
| V0121-ND |
| V0122-ND |
| Z0013-ND |

A07



| Rendel. szám |
|--------------|
| S0517-ND |
| V0009-ND |
| V0010-ND |
| V0021-ND |
| V0022-ND |
| V0023-ND |
| V0119-ND |
| V0122-ND |
| V0173-ND |
| Z0013-ND |

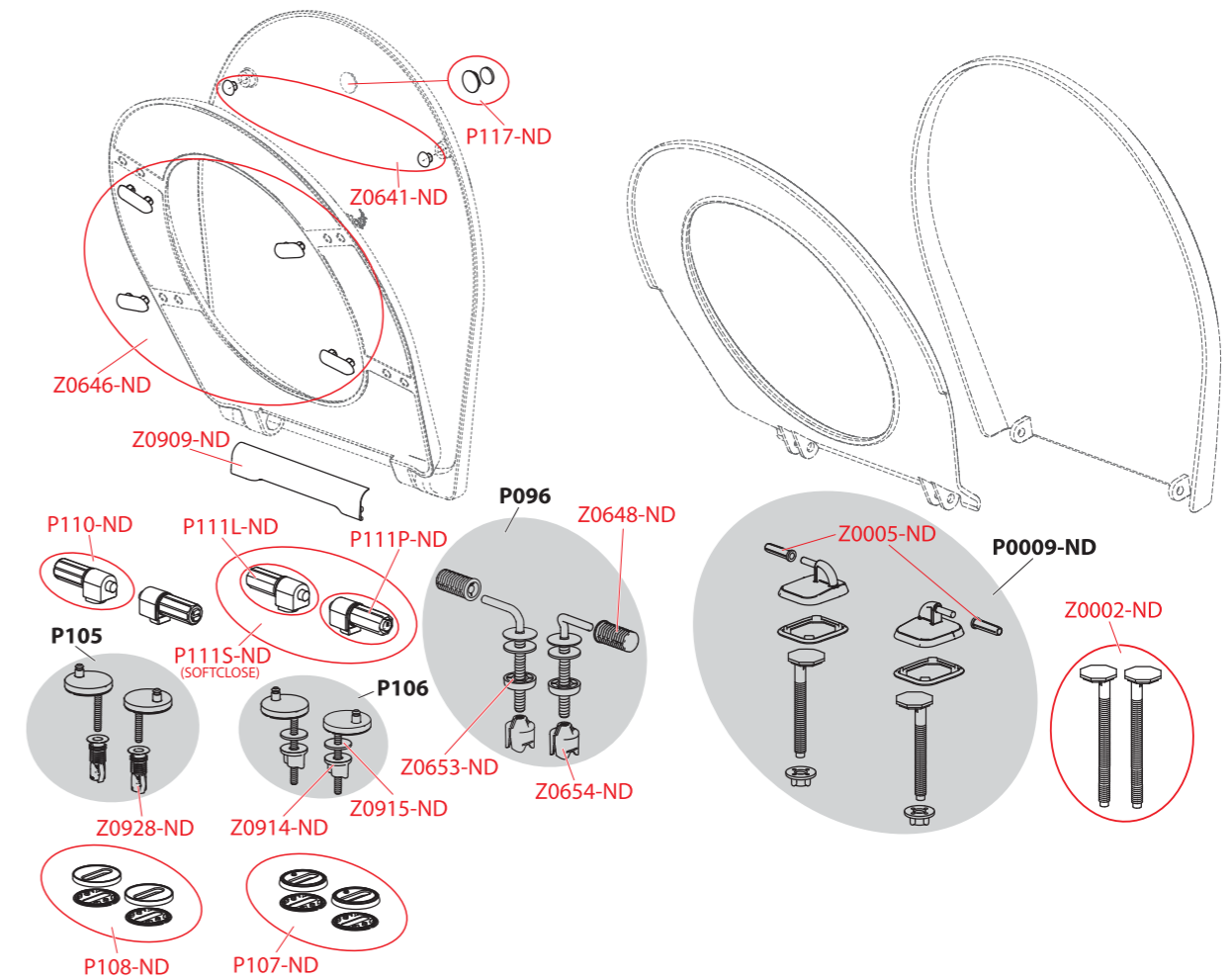
A93, A94



| Rendel. szám |
|--------------|
| MN0025-ND |
| P0020-ND |
| P0021-ND |
| S0517-ND |
| V0010-ND |
| V0021-ND |
| V0022-ND |
| V0023-ND |
| V0119-ND |
| Z0007-ND |

| Rendel. szám |
|--------------|
| Z0012-ND |
| Z0013-ND |
| Z0014-ND |
| Z0015-ND |
| Z0023-ND |
| Z0024-ND |
| Z0044-ND |
| Z0047-ND |
| Z0048-ND |
| Z0069-ND |

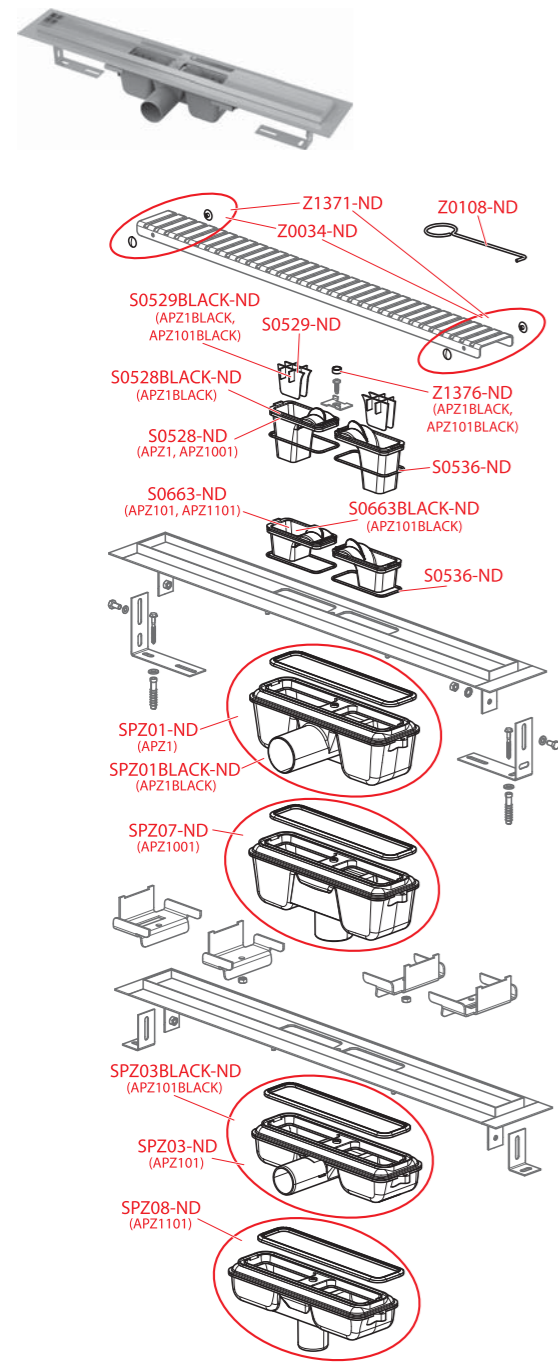
A60, A601, A602, A603, A604, A606, A674S



| Rendel. szám |
|--------------|
| P107-ND |
| P108-ND |
| P110-ND |
| P111L-ND |
| P111P-ND |
| P111S-ND |
| P117-ND |
| Z0002-ND |
| Z0005-ND |

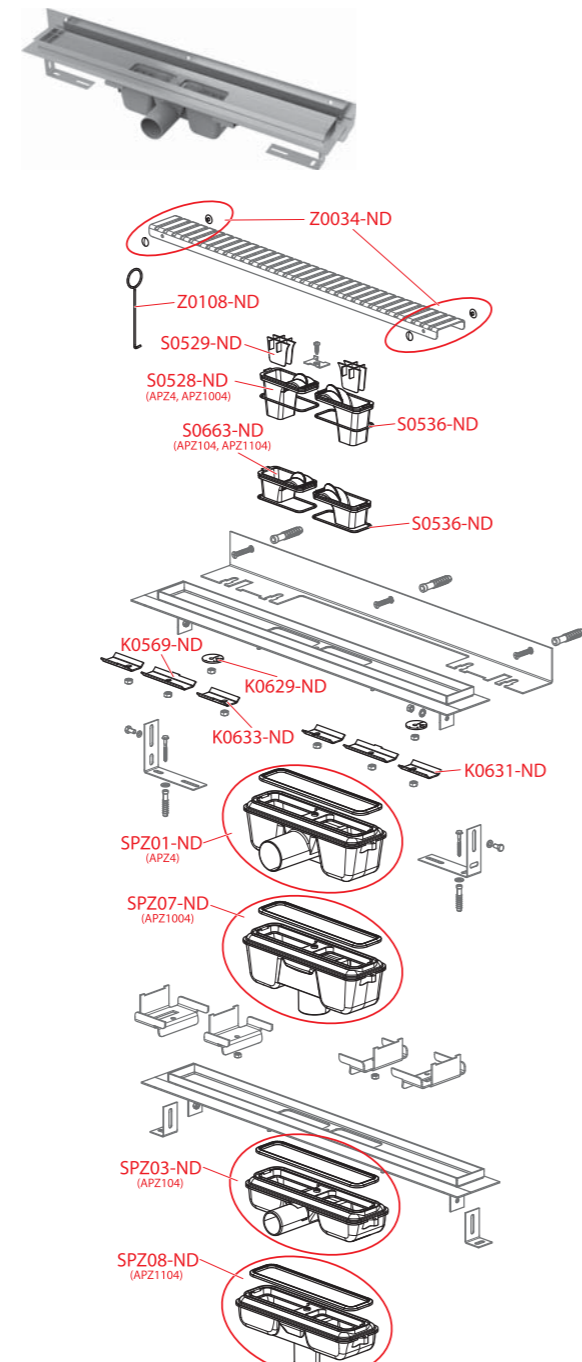
| Rendel. szám |
|--------------|
| Z0641-ND |
| Z0646-ND |
| Z0648-ND |
| Z0653-ND |
| Z0654-ND |
| Z0909-ND |
| Z0914-ND |
| Z0915-ND |
| Z0928-ND |

APZ1, APZ101, APZ1001, APZ1BLACK, APZ101 Low, APZ1101 Low, APZ101BLACK Low



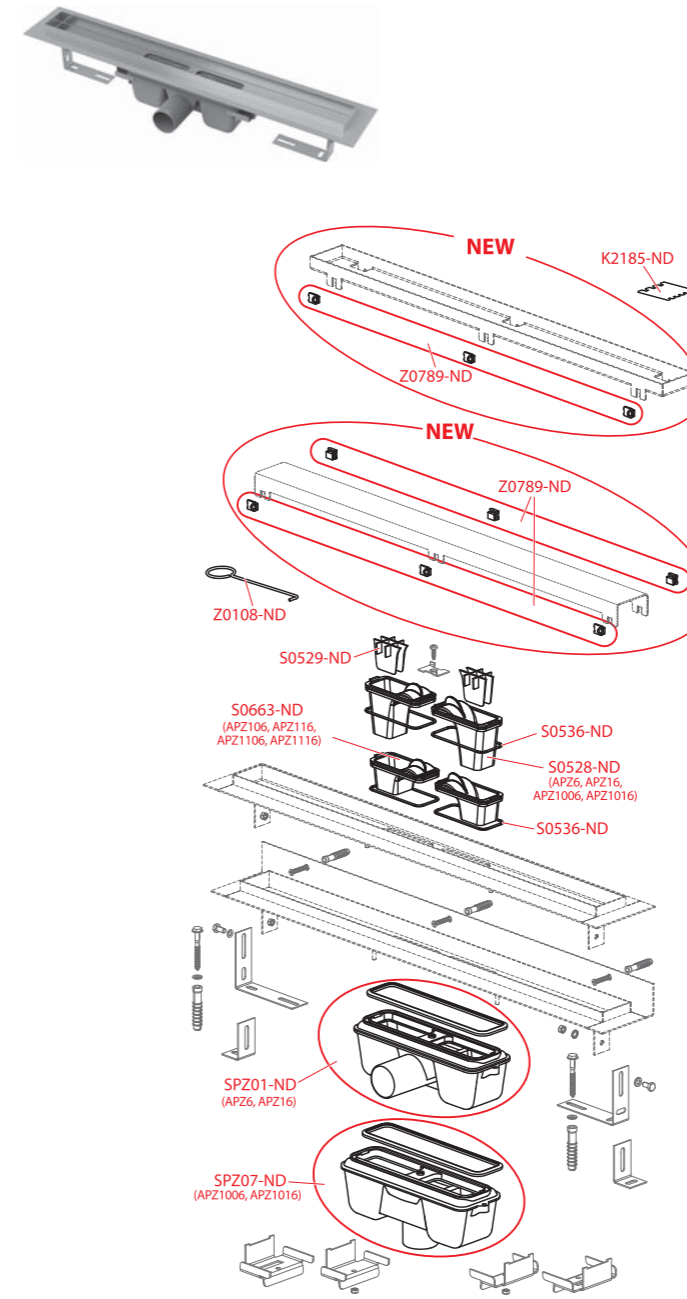
| Rendel. szám |
|---------------|
| K0569-ND |
| K0629-ND |
| K0631-ND |
| K0633-ND |
| S0528-ND |
| S0528BLACK-ND |
| S0529-ND |
| S0529BLACK-ND |
| S0536-ND |
| S0663-ND |
| S0663BLACK-ND |

APZ4 Flexible, APZ1004 Flexible, APZ104 Flexible Low, APZ1104 Flexible Low



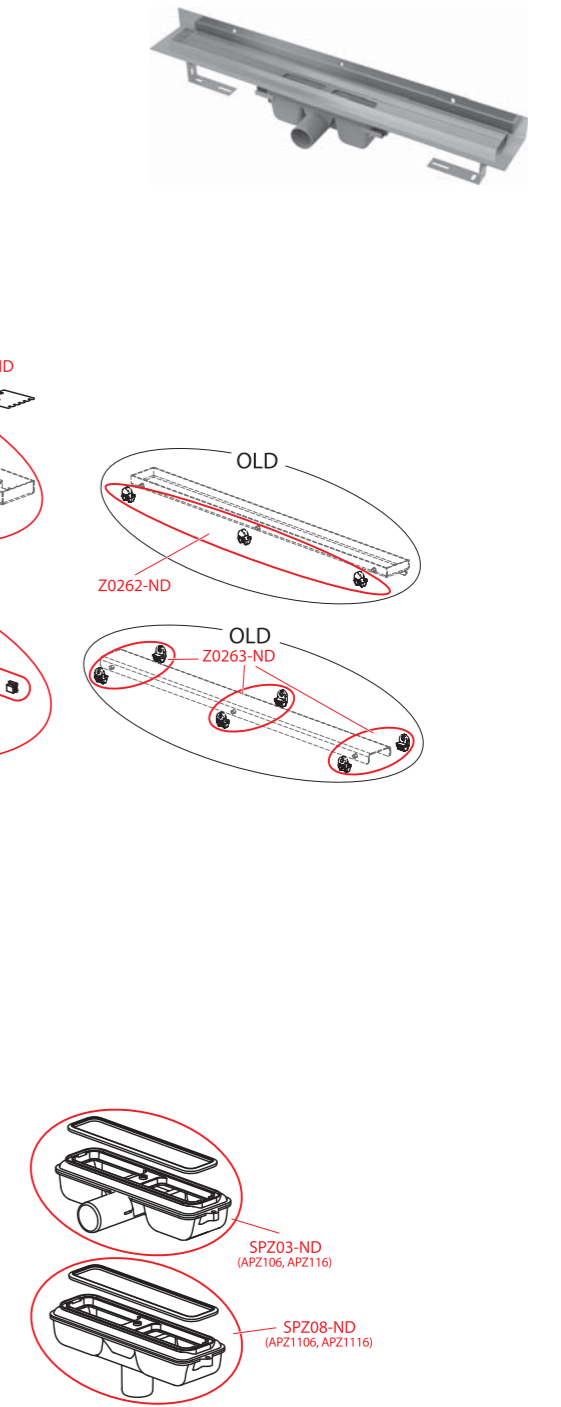
| Rendel. szám |
|---------------|
| SPZ01-ND |
| SPZ01BLACK-ND |
| SPZ03-ND |
| SPZ03BLACK-ND |
| SPZ07-ND |
| SPZ08-ND |
| Z0034-ND |
| Z0108-ND |
| Z1371-ND |
| Z1376-ND |

APZ6 Professional, APZ1006 Professional, APZ106 Professional Low, APZ1106 Professional Low



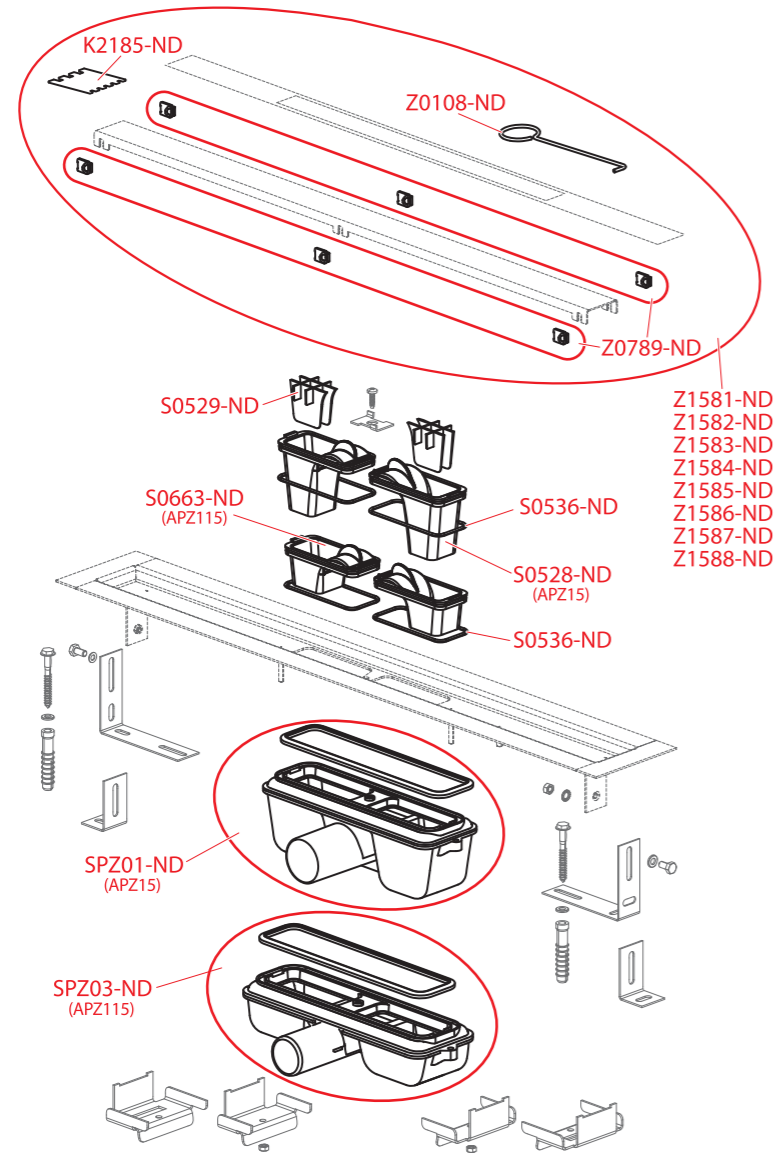
| Rendel. szám |
|--------------|
| K2185-ND |
| S0528-ND |
| S0529-ND |
| S0536-ND |
| S0663-ND |
| SPZ01-ND |
| SPZ03-ND |

APZ16 Wall, APZ1016 Wall, APZ116 Wall Low, APZ1116 Wall Low



| Rendel. szám |
|--------------|
| SPZ07-ND |
| SPZ08-ND |
| Z0108-ND |
| Z0262-ND |
| Z0263-ND |
| Z0789-ND |

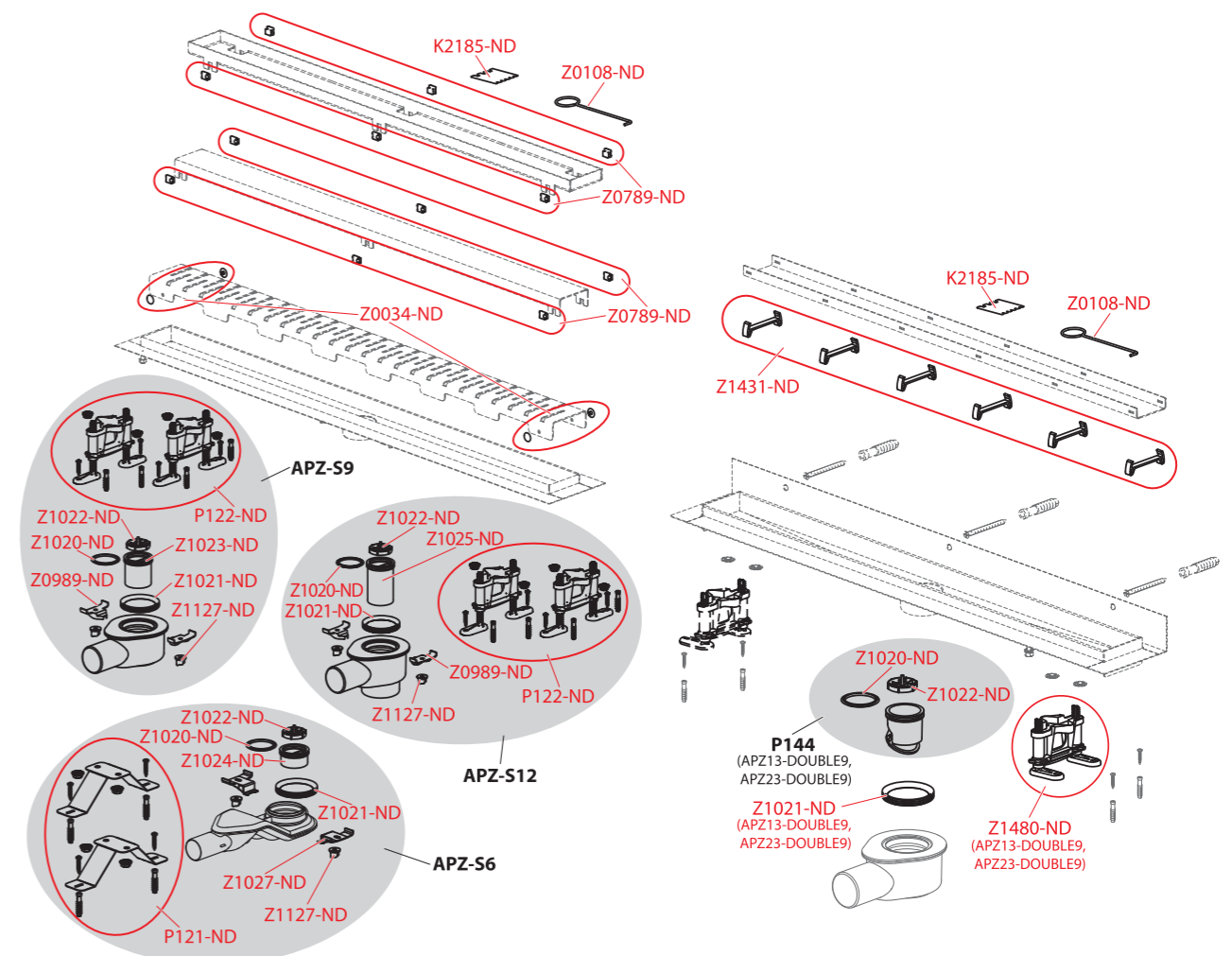
APZ15 Marble, APZ115 Marble Low



| Rendel. szám |
|--------------|
| K2185-ND |
| S0528-ND |
| S0529-ND |
| S0536-ND |
| S0663-ND |
| SPZ01-ND |
| SPZ03-ND |
| Z0108-ND |
| Z0789-ND |

| Rendel. szám |
|--------------|
| Z1581-ND |
| Z1582-ND |
| Z1583-ND |
| Z1584-ND |
| Z1585-ND |
| Z1586-ND |
| Z1587-ND |
| Z1588-ND |

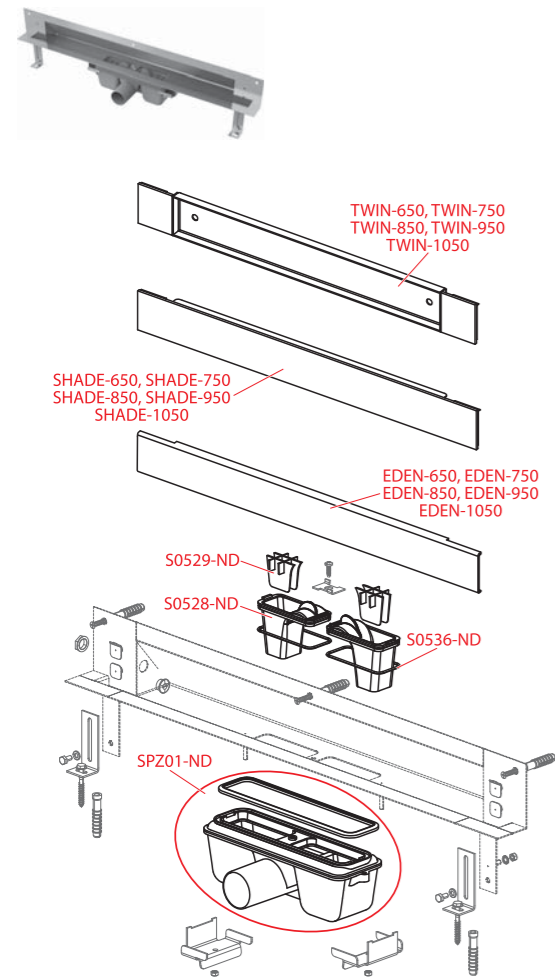
APZ13 Modular, APZ13 Fit and Go, APZ23 Modular Wall, APZ23 Fit and Go Wall



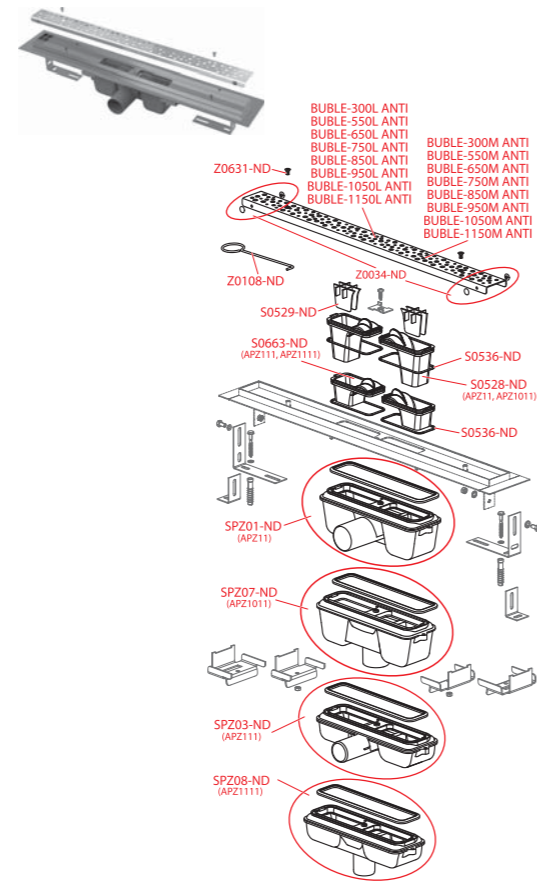
| Rendel. szám |
|--------------|
| K2185-ND |
| P121-ND |
| P122-ND |
| Z0034-ND |
| Z0108-ND |
| Z0789-ND |
| Z0989-ND |
| Z1020-ND |
| Z1021-ND |

| Rendel. szám |
|--------------|
| Z1022-ND |
| Z1023-ND |
| Z1024-ND |
| Z1025-ND |
| Z1027-ND |
| Z1127-ND |
| Z1431-ND |
| Z1480-ND |

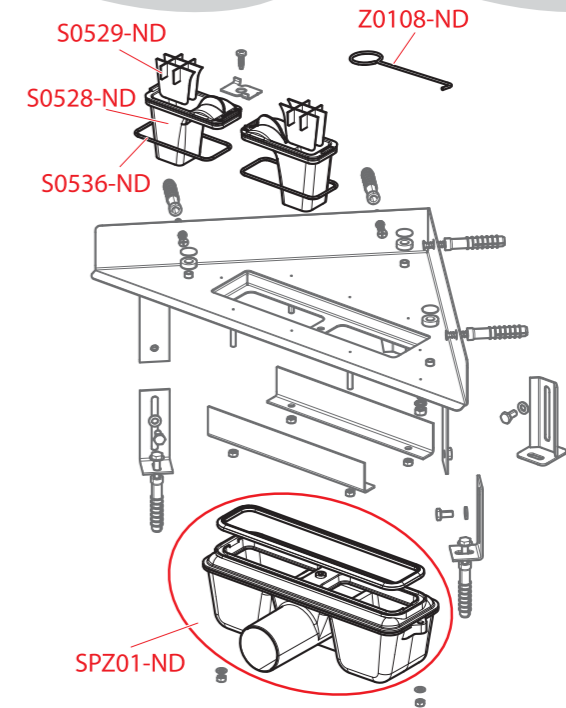
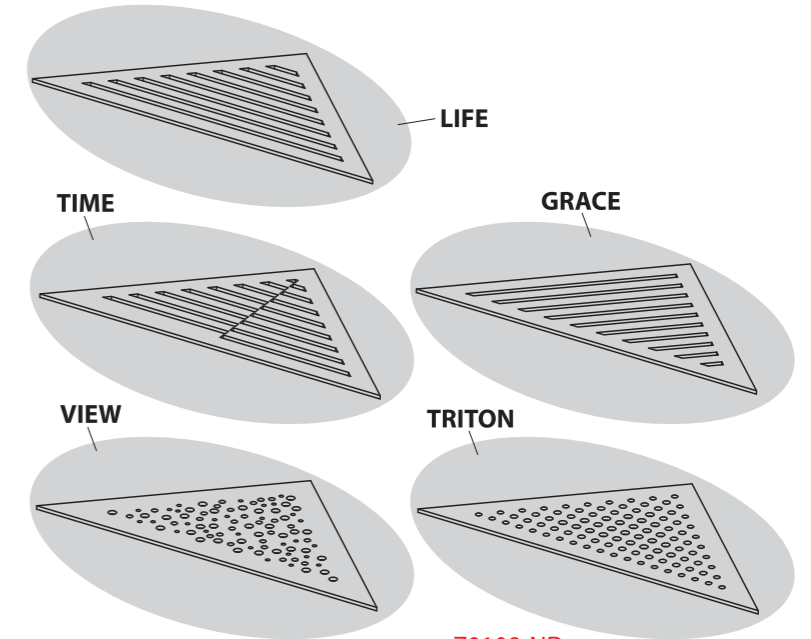
APZ5 Spa



APZ11 Antivandal, APZ1011 Antivandal, APZ111 Antivandal Low, APZ1111 Antivandal Low



ARZ1

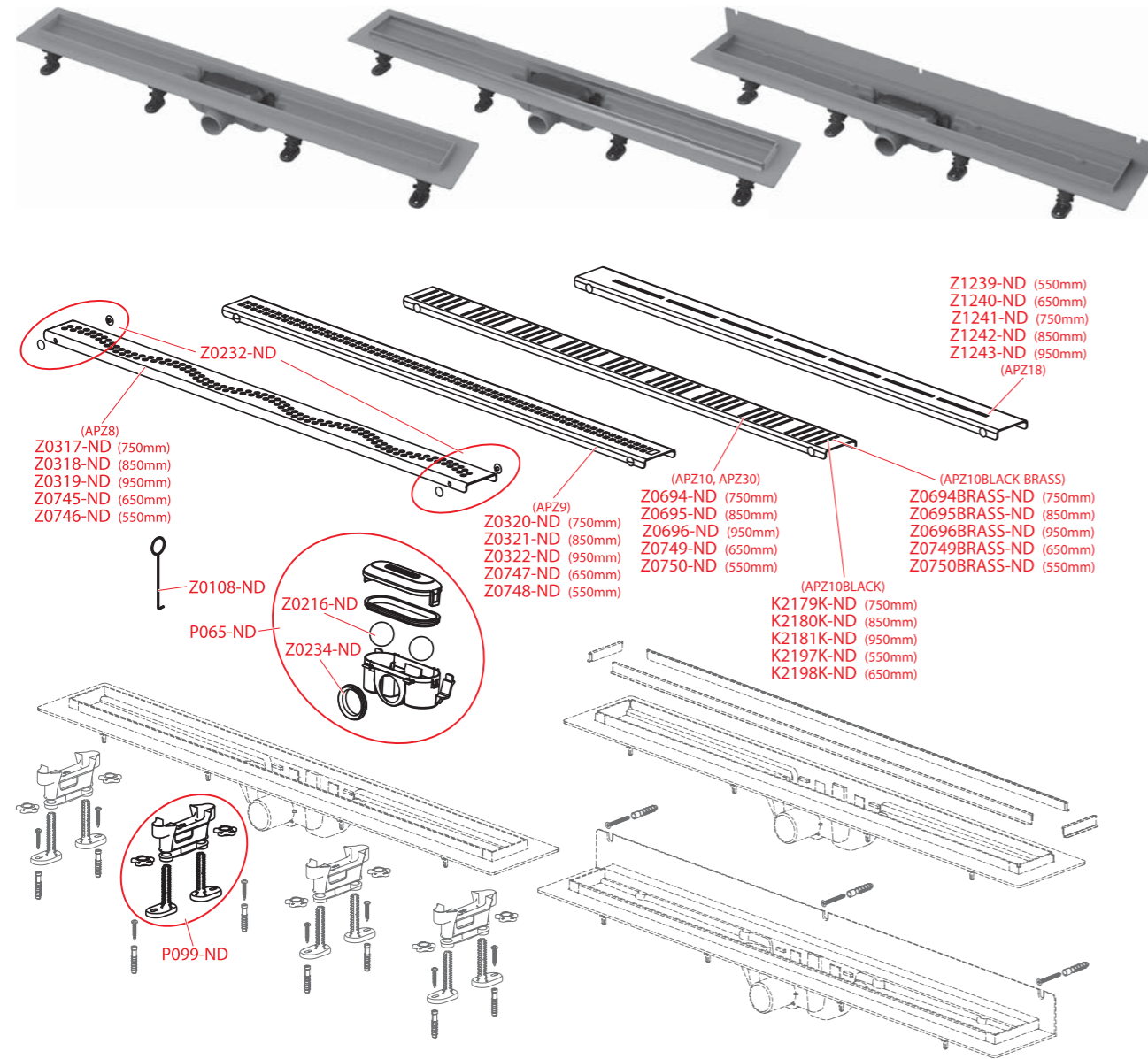


| Rendel. szám |
|-------------------|
| BUBBLE-1050L ANTI |
| BUBBLE-1050M ANTI |
| BUBBLE-1150L ANTI |
| BUBBLE-1150M ANTI |
| BUBBLE-300L ANTI |
| BUBBLE-300M ANTI |
| BUBBLE-550L ANTI |
| BUBBLE-550M ANTI |
| BUBBLE-650L ANTI |
| BUBBLE-650M ANTI |
| BUBBLE-750L ANTI |
| BUBBLE-750M ANTI |
| BUBBLE-850L ANTI |
| BUBBLE-850M ANTI |
| BUBBLE-950L ANTI |
| BUBBLE-950M ANTI |
| EDEN-1050 |
| EDEN-650 |
| EDEN-750 |
| EDEN-850 |
| EDEN-950 |

| Rendel. szám |
|--------------|
| S0528-ND |
| S0529-ND |
| S0536-ND |
| S0663-ND |
| SHADE-1050 |
| SHADE-650 |
| SHADE-750 |
| SHADE-850 |
| SHADE-950 |
| SPZ01-ND |
| SPZ03-ND |
| SPZ07-ND |
| SPZ08-ND |
| TWIN-1050 |
| TWIN-650 |
| TWIN-750 |
| TWIN-850 |
| TWIN-950 |
| Z0034-ND |
| Z0108-ND |
| Z0631-ND |

| Rendel. szám |
|--------------|
| S0528-ND |
| S0529-ND |
| S0536-ND |
| SPZ01-ND |
| Z0108-ND |

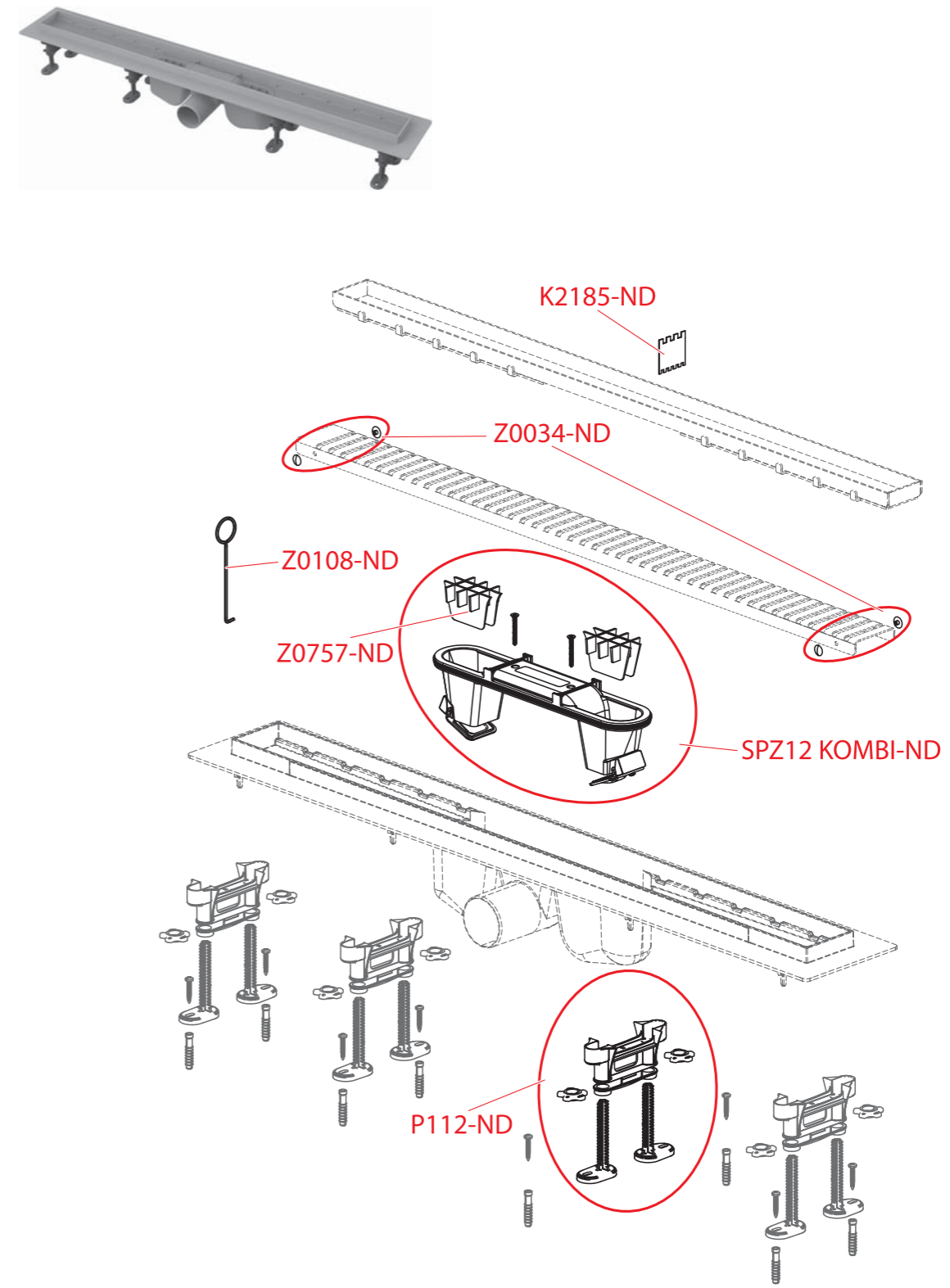
APZ30 Wall, APZ8 Simple, APZ9 Simple, APZ10 Simple, APZ18 Simple, APZ10BLACK Simple, APZ10BLACK-BRASS Simple



| Rendel. szám |
|--------------|
| K2179K-ND |
| K2180K-ND |
| K2181K-ND |
| K2197K-ND |
| K2198K-ND |
| P065-ND |
| P099-ND |
| Z0108-ND |
| Z0216-ND |
| Z0232-ND |
| Z0234-ND |
| Z0317-ND |
| Z0318-ND |
| Z0319-ND |
| Z0320-ND |
| Z0321-ND |
| Z0322-ND |
| Z0694-ND |

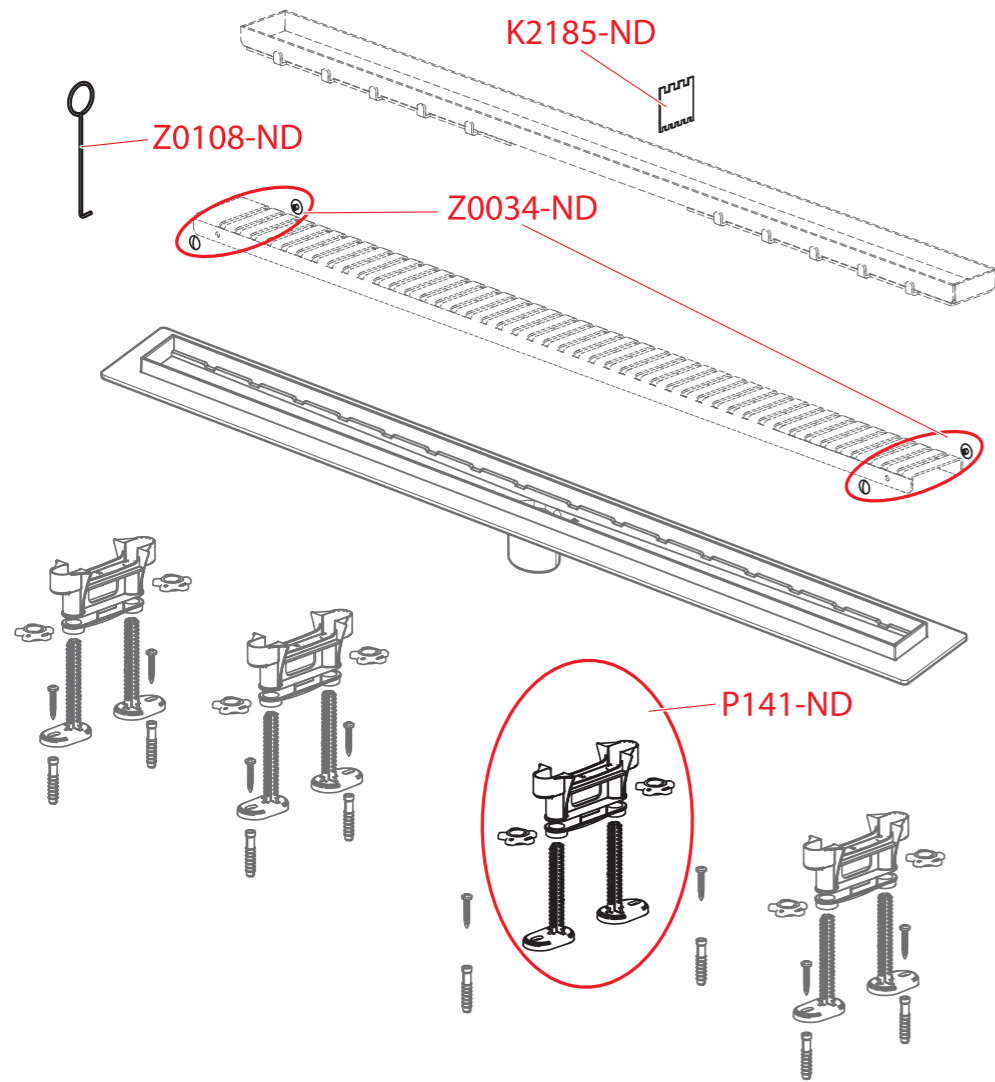
| Rendel. szám |
|---------------|
| Z0694BRASS-ND |
| Z0695-ND |
| Z0695BRASS-ND |
| Z0696-ND |
| Z0696BRASS-ND |
| Z0745-ND |
| Z0746-ND |
| Z0747-ND |
| Z0748-ND |
| Z0749-ND |
| Z0749BRASS-ND |
| Z0750-ND |
| Z0750BRASS-ND |
| Z1239-ND |
| Z1240-ND |
| Z1241-ND |
| Z1242-ND |
| Z1243-ND |

APZ12 Optimal, APZ22 Optimal



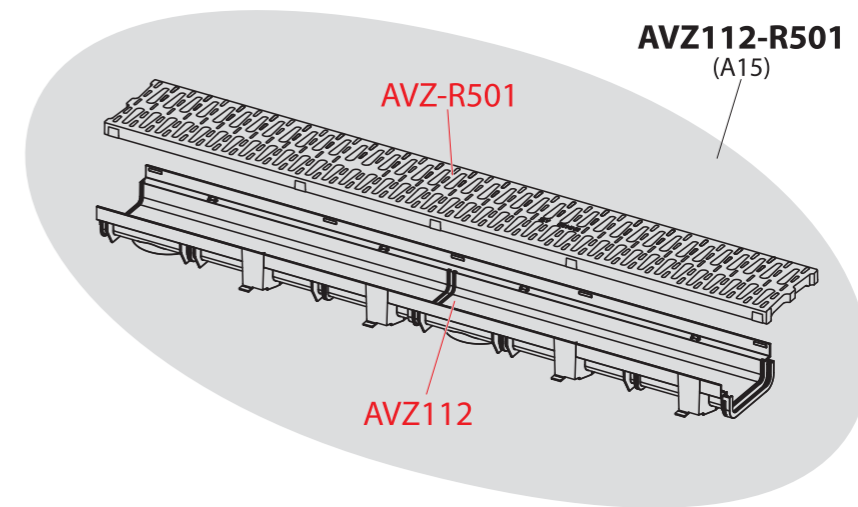
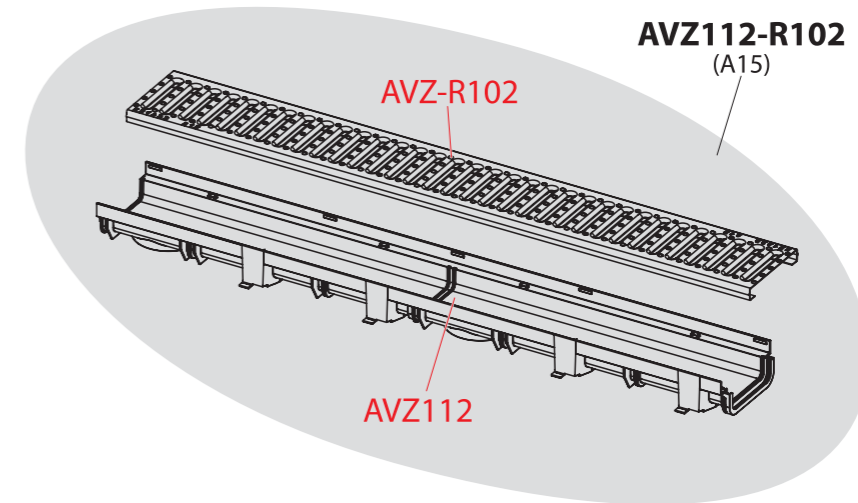
| Rendel. szám |
|----------------|
| K2185-ND |
| P112-ND |
| SPZ12 KOMBI-ND |
| Z0034-ND |
| Z0108-ND |
| Z0757-ND |

APZ2012 Optimal, APZ2022 Optimal



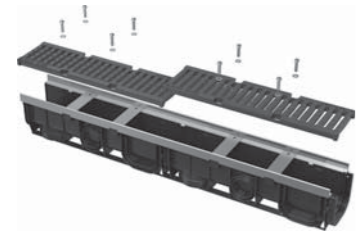
| Rendel. szám |
|--------------|
| K2185-ND |
| P141-ND |
| Z0034-ND |
| Z0108-ND |

AVZ112-R102, AVZ112-R501



| Rendel. szám |
|--------------|
| AVZ-R102 |
| AVZ-R501 |
| AVZ112 |

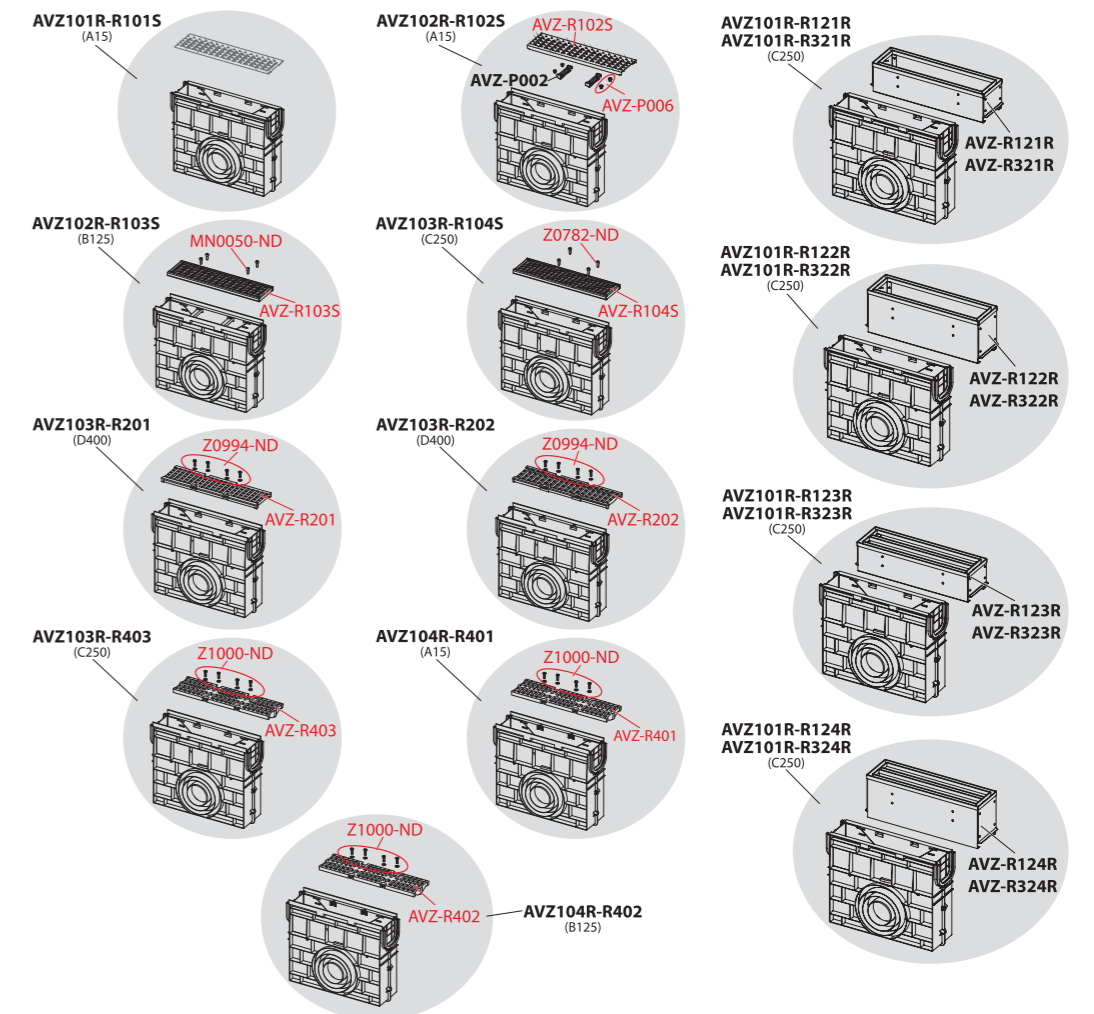
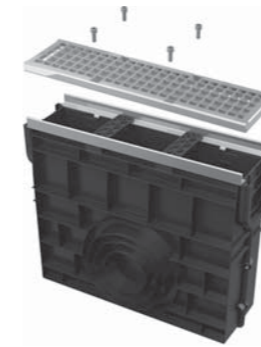
AVZ101-R101, AVZ102-R102, AVZ102-R103, AVZ103-R104, AVZ103-R201, AVZ103-R202, AVZ103-R403, AVZ104-R401, AVZ104-R402



| Rendel. szám |
|--------------|
| AVZ-P005 |
| AVZ-P006 |
| AVZ-P007 |
| AVZ-P014K |
| AVZ-P014L |
| AVZ-R101 |
| AVZ-R102 |
| AVZ-R103 |
| AVZ-R103S |
| AVZ-R104 |
| AVZ-R104S |
| AVZ-R201 |
| AVZ-R202 |

| Rendel. szám |
|--------------|
| AVZ-R401 |
| AVZ-R402 |
| AVZ-R403 |
| AVZ101 |
| AVZ102A |
| AVZ102B |
| AVZ103 |
| AVZ104 |
| MN0050-ND |
| Z0782-ND |
| Z0994-ND |
| Z1000-ND |

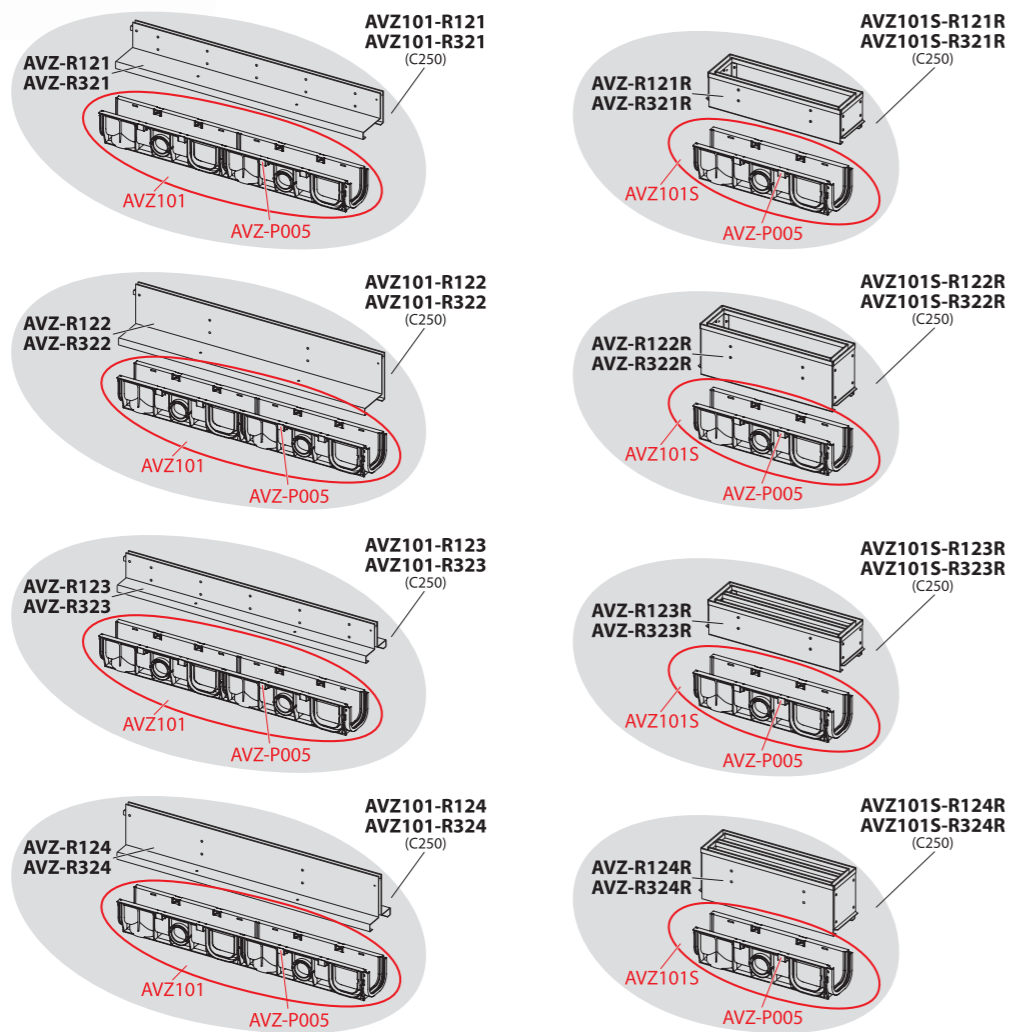
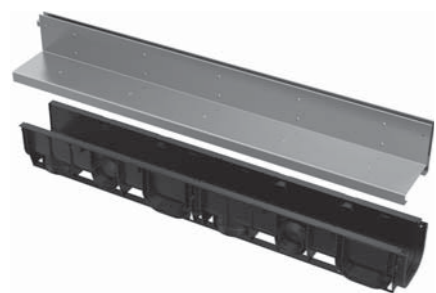
AVZ103R-R201, AVZ103R-R202, AVZ103R-R403, AVZ104R-R401, AVZ104R-R402, AVZ101R-R101S, AVZ101R-R121R, AVZ101R-R122R, AVZ101R-R123R, AVZ101R-R124R, AVZ101R-R321R, AVZ101R-R322R, AVZ101R-R323R, AVZ101R-R324R, AVZ102R-R102S, AVZ102R-R103S, AVZ103R-R104S



| Rendel. szám |
|--------------|
| AVZ-P006 |
| AVZ-R102S |
| AVZ-R103S |
| AVZ-R104S |
| AVZ-R201 |
| AVZ-R202 |
| AVZ-R401 |

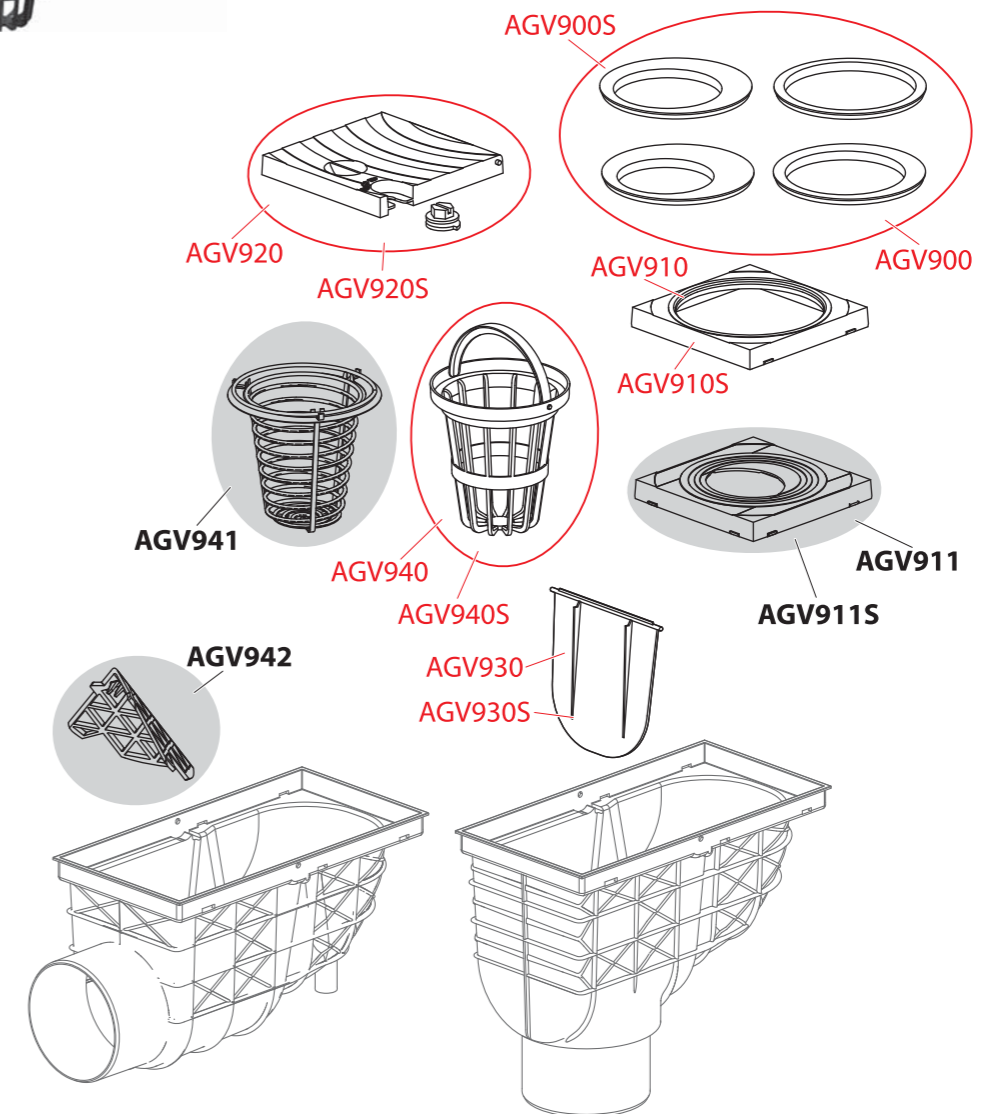
| Rendel. szám |
|--------------|
| AVZ-R402 |
| AVZ-R403 |
| MN0050-ND |
| Z0782-ND |
| Z0994-ND |
| Z1000-ND |

AVZ101-R121, AVZ101-R122, AVZ101-R123, AVZ101-R124, AVZ101-R321, AVZ101-R322, AVZ101-R323, AVZ101-R324, AVZ101S-R121R, AVZ101S-R122R, AVZ101S-R123R, AVZ101S-R124R, AVZ101S-R321R, AVZ101S-R322R, AVZ101S-R323R, AVZ101S-R324R



| Rendel. szám |
|--------------|
| AVZ-P005 |
| AVZ101 |
| AVZ101S |

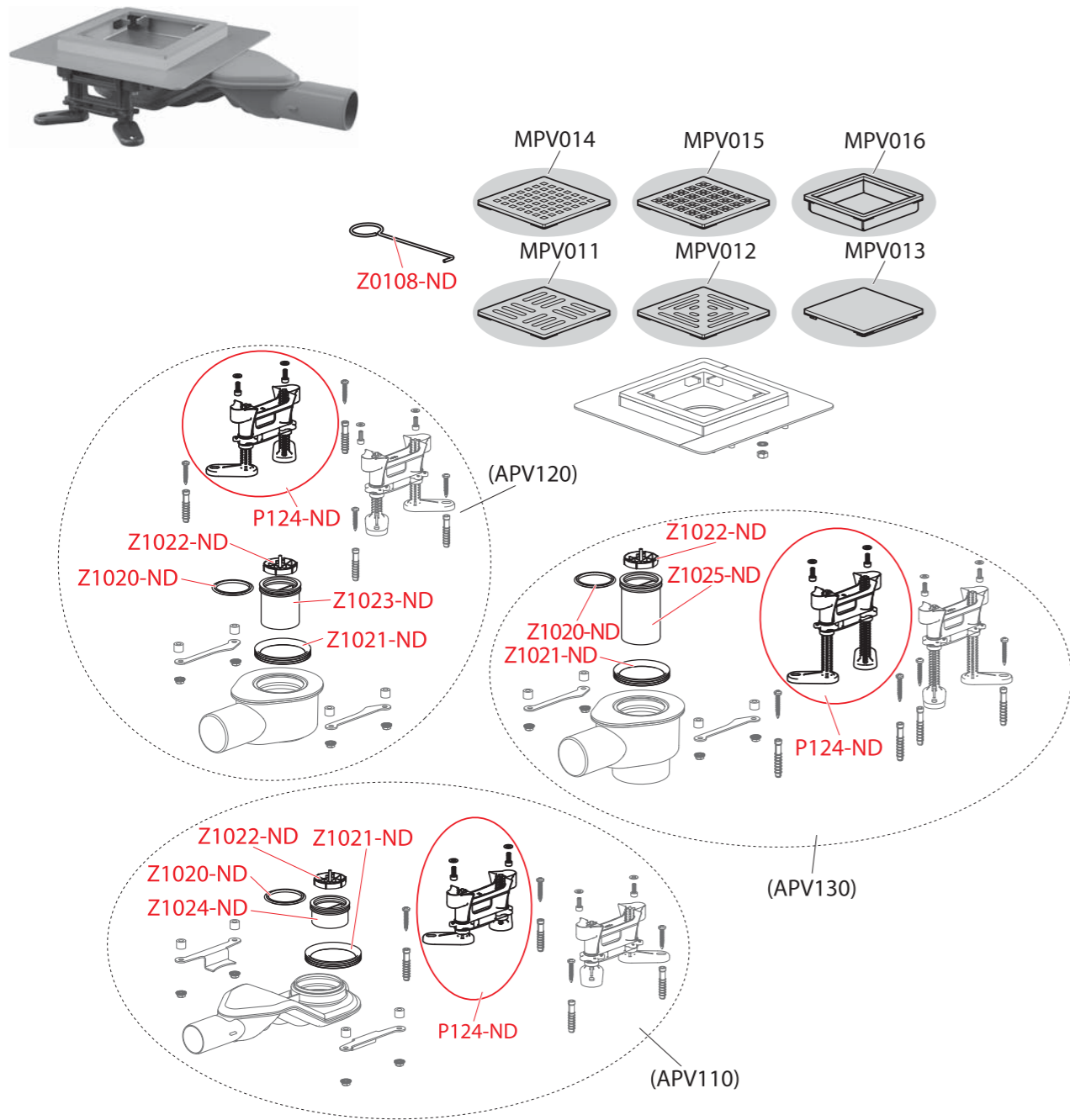
AGV1, AGV2, AGV3, AGV4, AGV1S, AGV2S, AGV3S, AGV4S



| Rendel. szám |
|--------------|
| AGV900 |
| AGV900S |
| AGV910 |
| AGV910S |
| AGV920 |

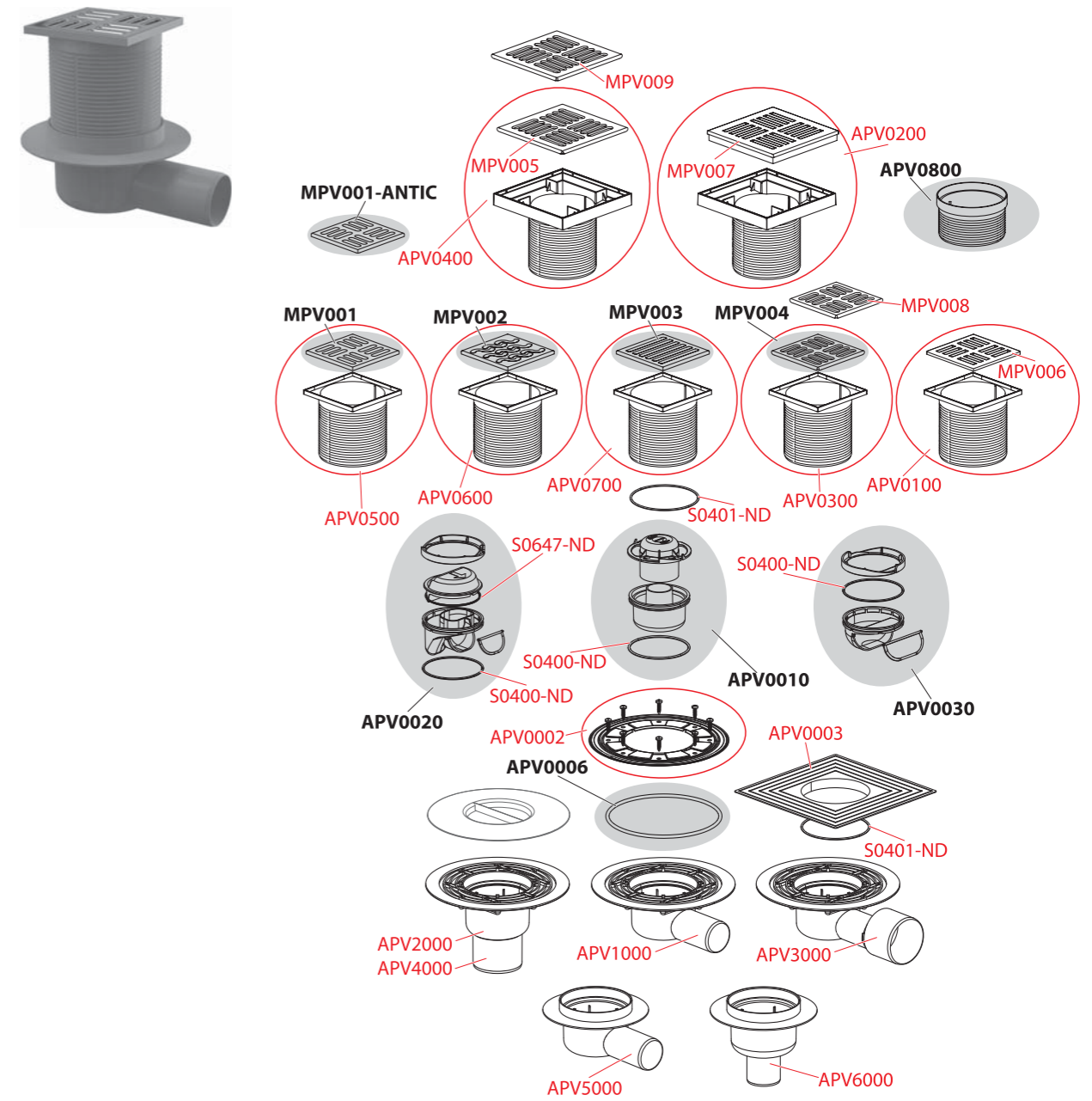
| Rendel. szám |
|--------------|
| AGV920S |
| AGV930 |
| AGV930S |
| AGV940 |
| AGV940S |

APV110, APV120, APV130



| Rendel. szám |
|--------------|
| P124-ND |
| Z0108-ND |
| Z1020-ND |
| Z1021-ND |
| Z1022-ND |
| Z1023-ND |
| Z1024-ND |
| Z1025-ND |

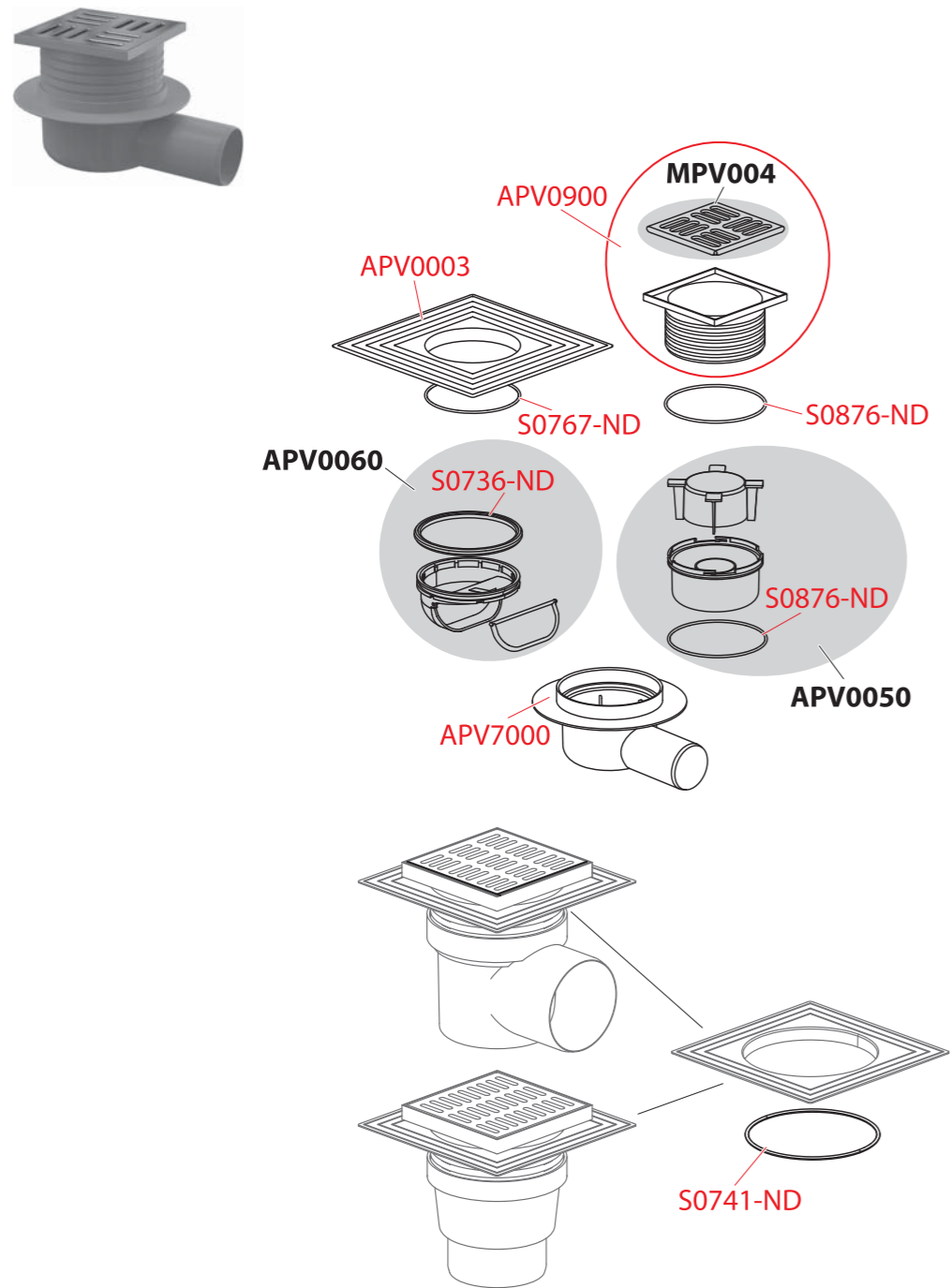
APV1, APV2, APV3, APV31, APV32, APV101, APV102, APV103, APV201, APV202, APV203, APV0800, APV1311, APV1324, APV2311, APV2321, APV2324, APV3344, APV3444, APV4344, APV4444, APV5111, APV5211, APV5411, APV6111, APV6211



| Rendel. szám |
|--------------|
| APV0002 |
| APV0003 |
| APV0100 |
| APV0200 |
| APV0300 |
| APV0400 |
| APV0500 |
| APV0600 |
| APV0700 |
| APV1000 |
| APV2000 |
| APV3000 |

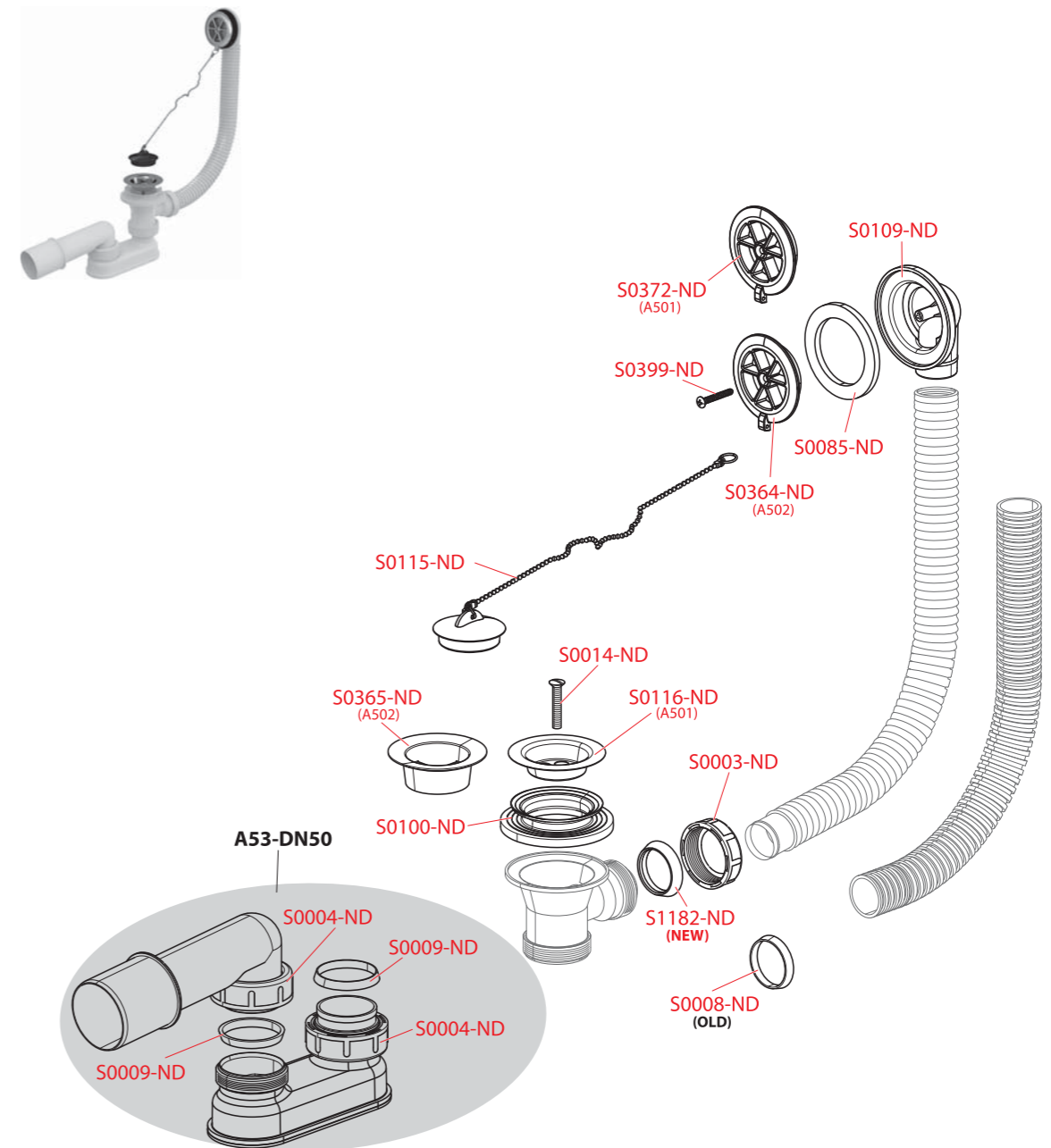
| Rendel. szám |
|--------------|
| APV4000 |
| APV5000 |
| APV6000 |
| MPV005 |
| MPV006 |
| MPV007 |
| MPV008 |
| MPV009 |
| S0400-ND |
| S0401-ND |
| S0647-ND |

APV10, APV11, APV12, APV13, APV26, APV26C



| Rendel. szám |
|--------------|
| APV0003 |
| APV0900 |
| APV7000 |
| S0736-ND |
| S0741-ND |
| S0767-ND |
| S0876-ND |

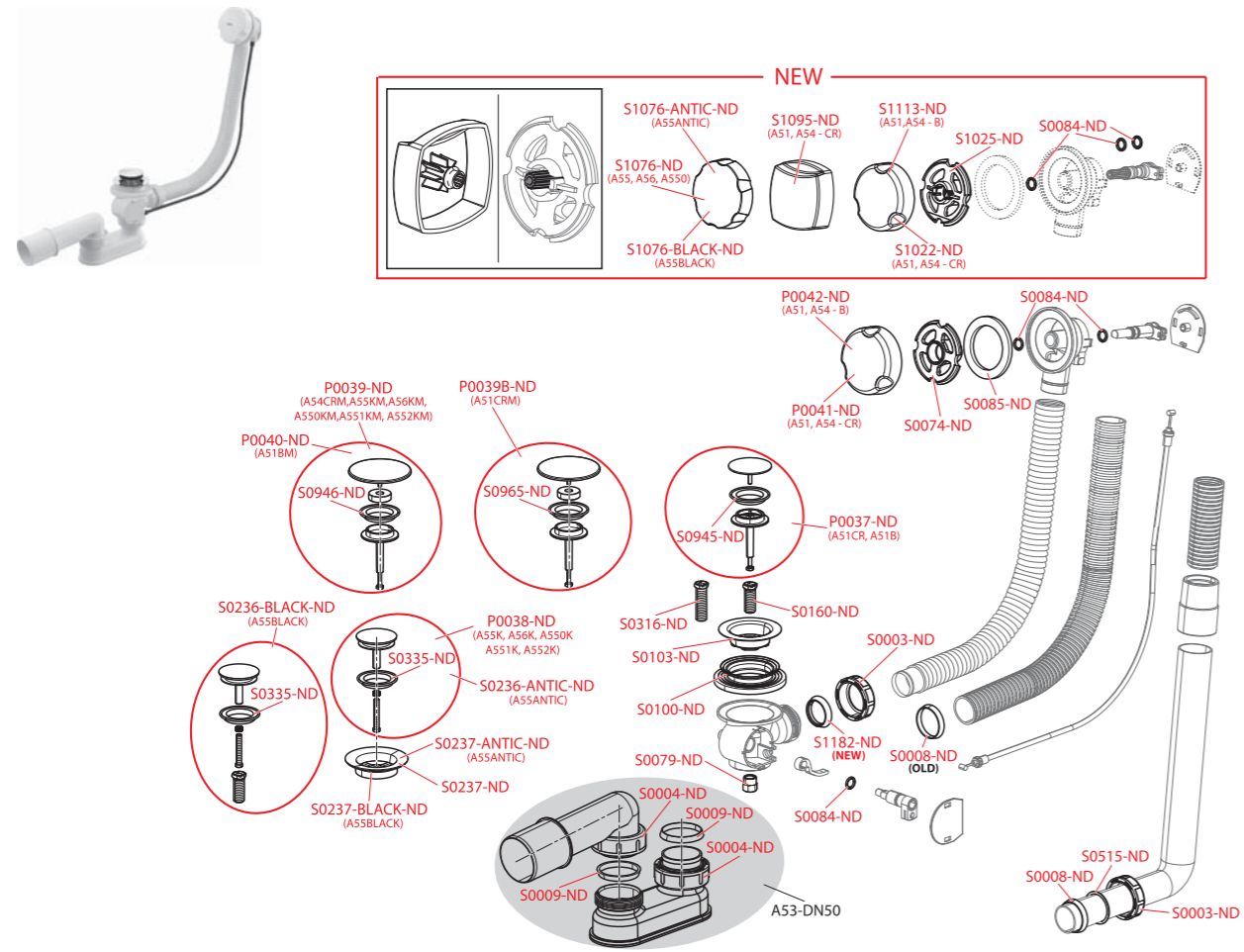
A501, A502



| Rendel. szám |
|--------------|
| S0003-ND |
| S0004-ND |
| S0008-ND |
| S0009-ND |
| S0014-ND |
| S0085-ND |
| S0100-ND |
| S0109-ND |

| Rendel. szám |
|--------------|
| S0115-ND |
| S0116-ND |
| S0364-ND |
| S0365-ND |
| S0372-ND |
| S0399-ND |
| S1182-ND |

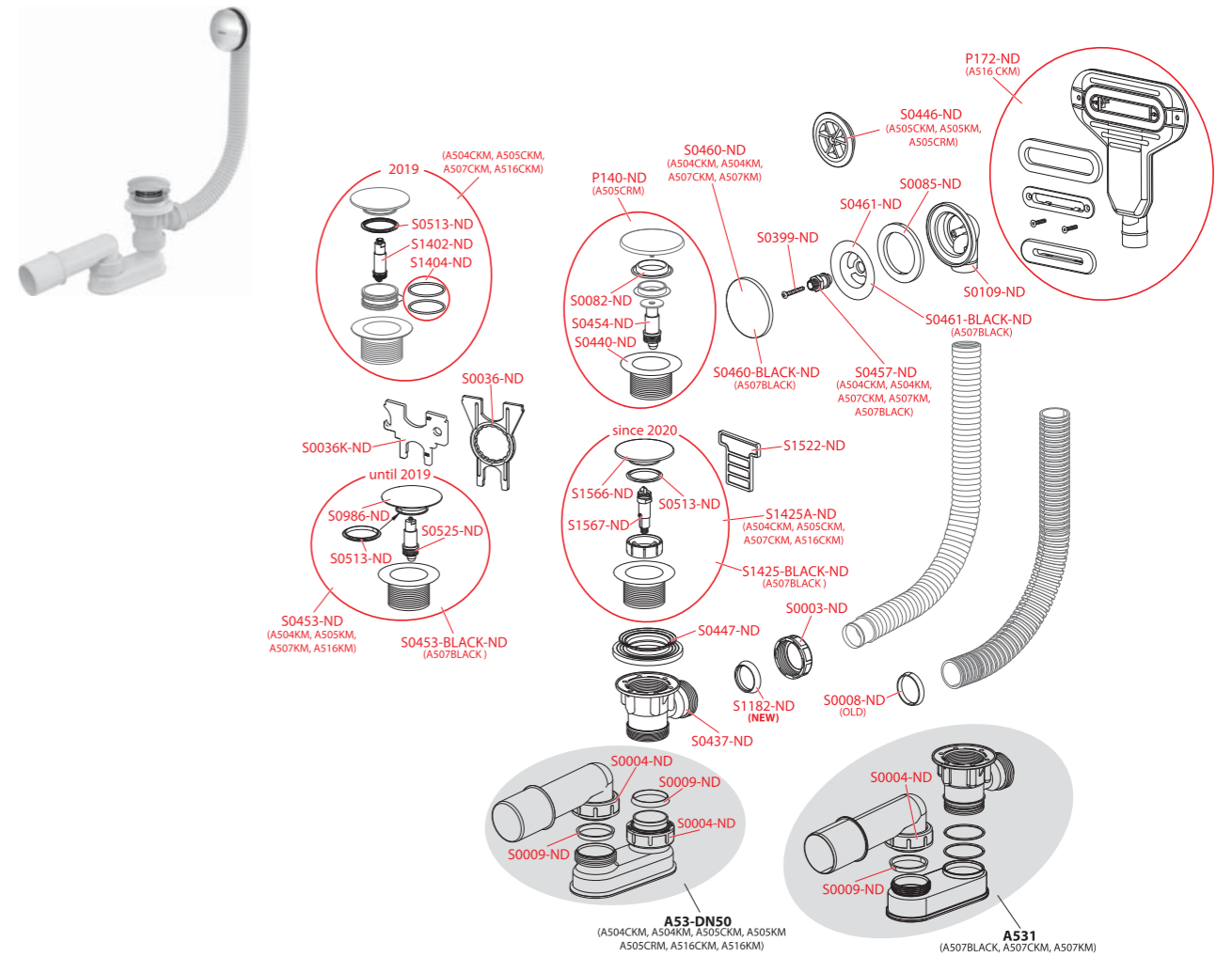
A51, A55, A550, A551, A552, A553



| Rendel. szám |
|----------------|
| P0037-ND |
| P0038-ND |
| P0039-ND |
| P0039B-ND |
| P0040-ND |
| P0041-ND |
| P0042-ND |
| S0003-ND |
| S0004-ND |
| S0008-ND |
| S0009-ND |
| S0074-ND |
| S0079-ND |
| S0084-ND |
| S0085-ND |
| S0100-ND |
| S0103-ND |
| S0160-ND |
| S0236-ANTIC-ND |

| Rendel. szám |
|----------------|
| S0236-BLACK-ND |
| S0237-ANTIC-ND |
| S0237-BLACK-ND |
| S0237-ND |
| S0316-ND |
| S0335-ND |
| S0515-ND |
| S0945-ND |
| S0946-ND |
| S0965-ND |
| S1022-ND |
| S1025-ND |
| S1076-ANTIC-ND |
| S1076-BLACK-ND |
| S1076-ND |
| S1095-ND |
| S1113-ND |
| S1182-ND |

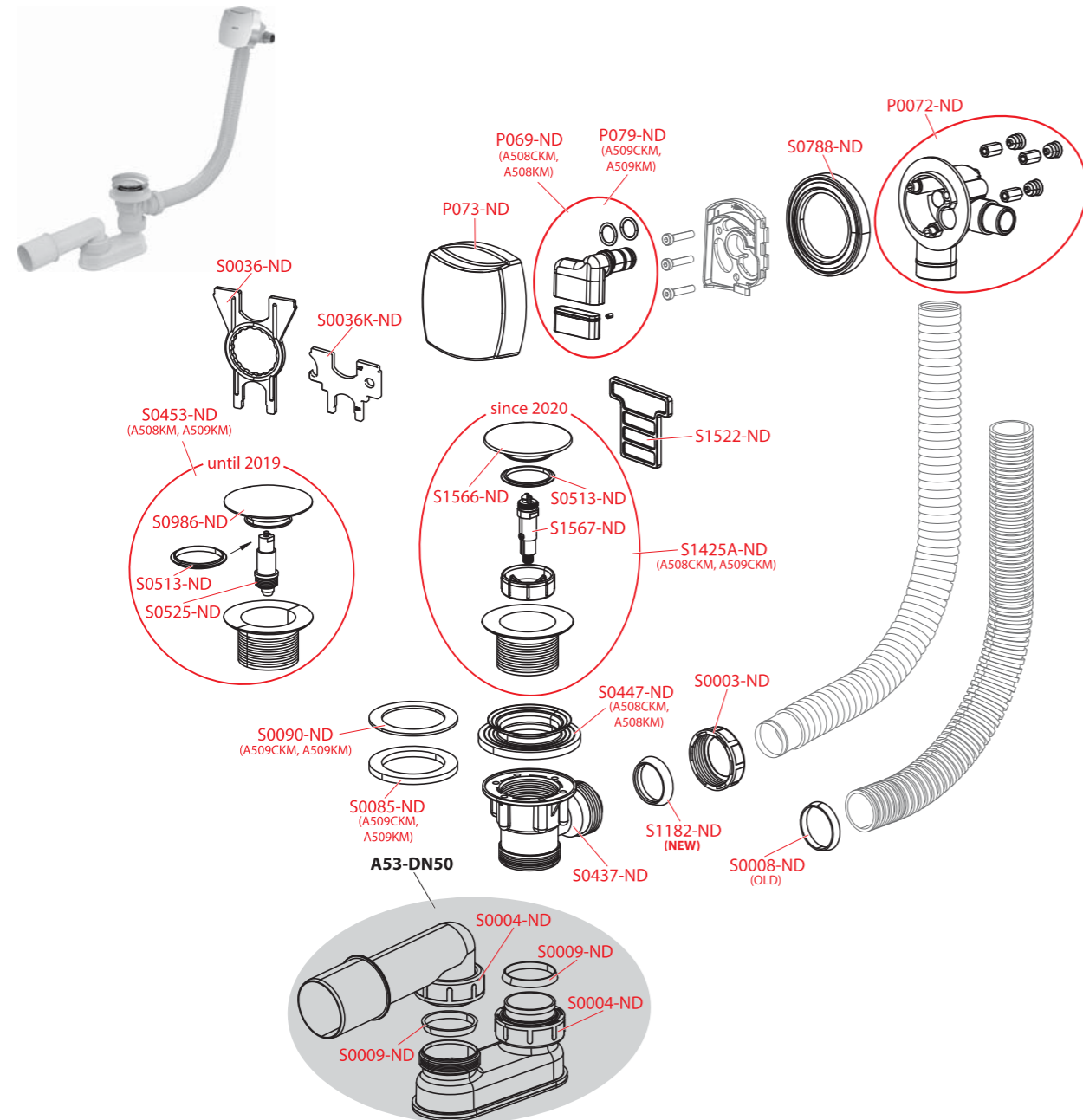
A504, A505, A507, A516



| Rendel. szám |
|----------------|
| P140-ND |
| P172-ND |
| S0003-ND |
| S0004-ND |
| S0008-ND |
| S0009-ND |
| S0036-ND |
| S0036K-ND |
| S0082-ND |
| S0085-ND |
| S0109-ND |
| S0399-ND |
| S0437-ND |
| S0440-ND |
| S0446-ND |
| S0447-ND |
| S0453-BLACK-ND |
| S0453-ND |

| Rendel. szám |
|----------------|
| S0454-ND |
| S0457-ND |
| S0460-BLACK-ND |
| S0460-ND |
| S0461-BLACK-ND |
| S0461-ND |
| S0513-ND |
| S0525-ND |
| S0986-ND |
| S1182-ND |
| S1402-ND |
| S1404-ND |
| S1425-BLACK-ND |
| S1425A-ND |
| S1522-ND |
| S1566-ND |
| S1567-ND |

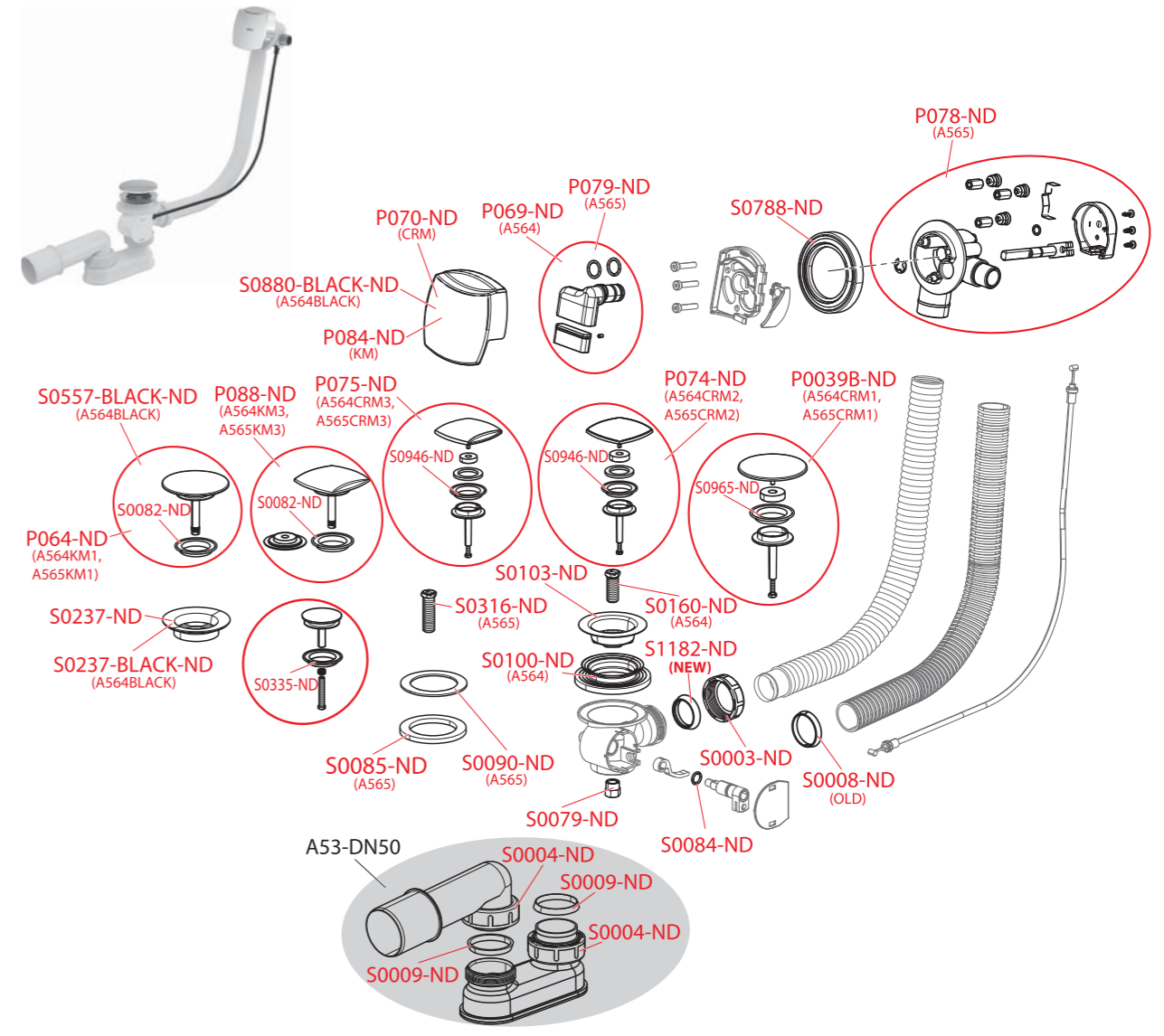
A508KM, A509KM



| Rendel. szám |
|--------------|
| P0072-ND |
| P069-ND |
| P073-ND |
| P079-ND |
| S0003-ND |
| S0004-ND |
| S0008-ND |
| S0009-ND |
| S0036-ND |
| S0036K-ND |
| S0085-ND |
| S0090-ND |

| Rendel. szám |
|--------------|
| S0437-ND |
| S0447-ND |
| S0453-ND |
| S0513-ND |
| S0525-ND |
| S0788-ND |
| S0986-ND |
| S1182-ND |
| S1425A-ND |
| S1522-ND |
| S1566-ND |
| S1567-ND |

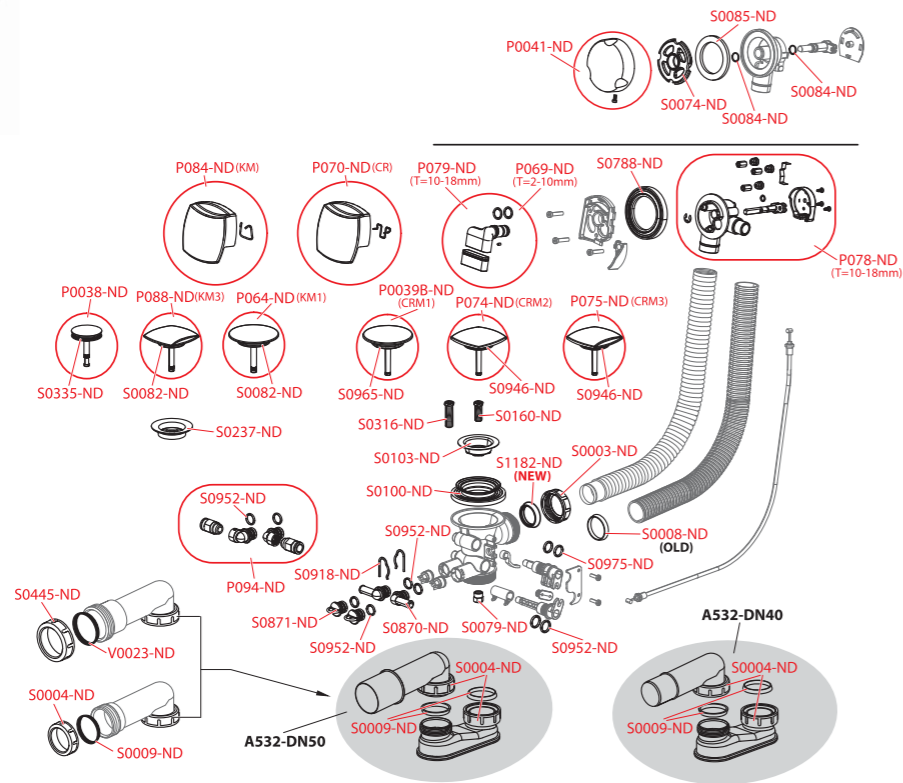
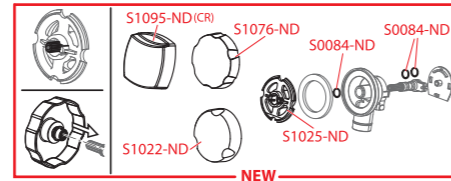
A564, A565



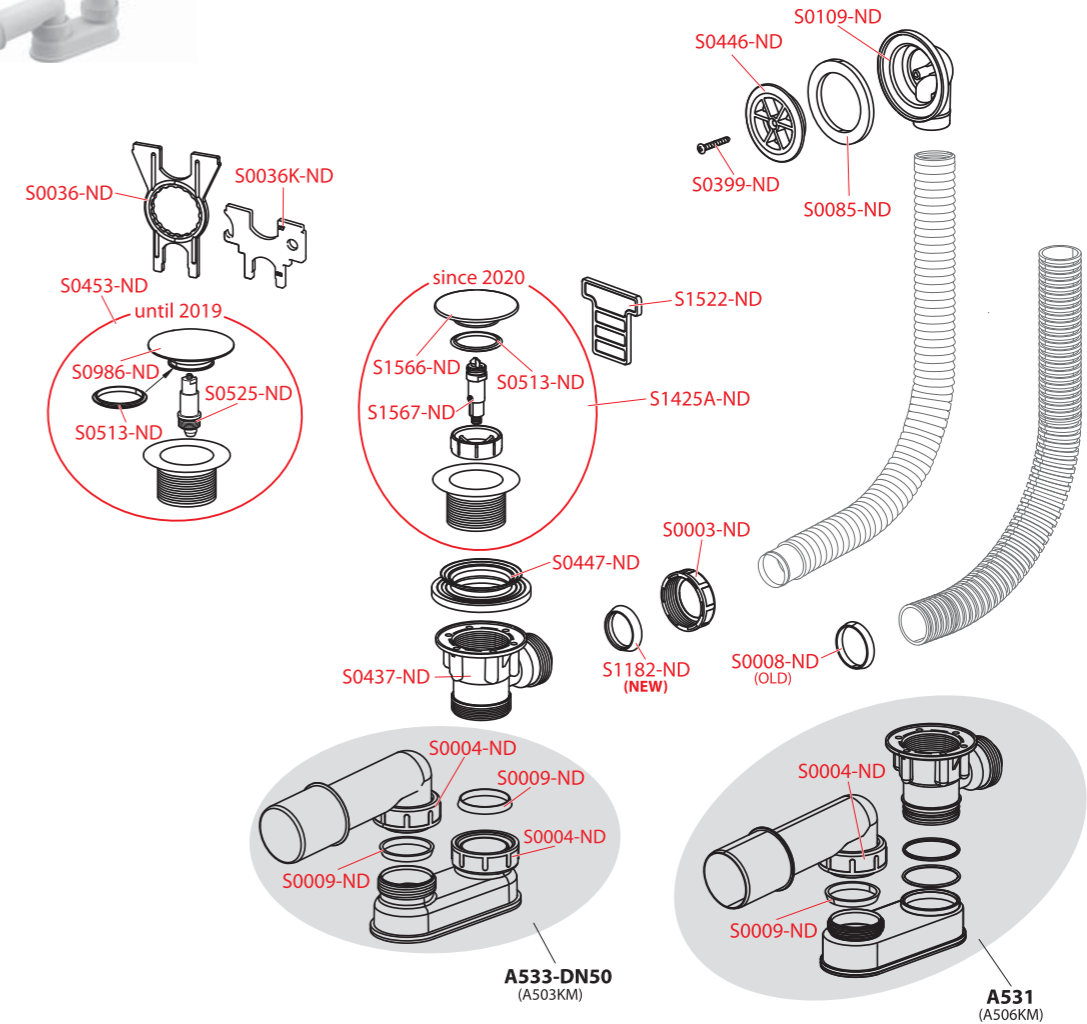
| Rendel. szám |
|--------------|
| P0039B-ND |
| P064-ND |
| P069-ND |
| P070-ND |
| P074-ND |
| P075-ND |
| P078-ND |
| P079-ND |
| P084-ND |
| P088-ND |
| S0003-ND |
| S0004-ND |
| S0008-ND |
| S0009-ND |
| S0079-ND |
| S0082-ND |

| Rendel. szám |
|----------------|
| S0084-ND |
| S0085-ND |
| S0090-ND |
| S0100-ND |
| S0103-ND |
| S0160-ND |
| S0237-BLACK-ND |
| S0237-ND |
| S0316-ND |
| S0335-ND |
| S0557-BLACK-ND |
| S0788-ND |
| S0880-BLACK-ND |
| S0946-ND |
| S0965-ND |
| S1182-ND |

A566



A503KM, A506KM



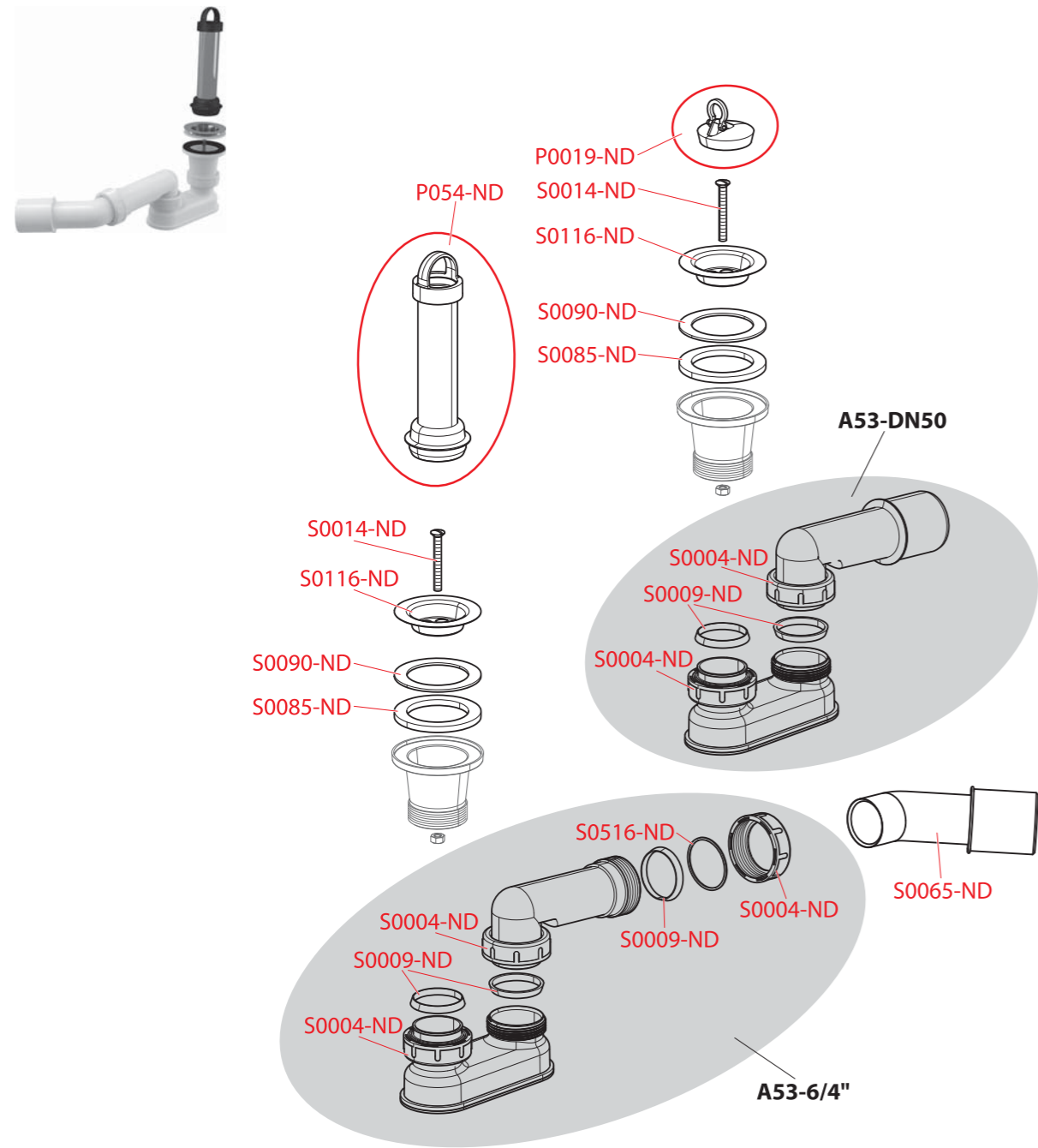
| Rendel. szám |
|--------------|
| P0038-ND |
| P0039B-ND |
| P0041-ND |
| P064-ND |
| P069-ND |
| P070-ND |
| P074-ND |
| P075-ND |
| P078-ND |
| P079-ND |
| P084-ND |
| P088-ND |
| P094-ND |
| S0003-ND |
| S0004-ND |
| S0008-ND |
| S0009-ND |
| S0074-ND |
| S0079-ND |
| S0082-ND |
| S0084-ND |
| S0085-ND |

| Rendel. szám |
|--------------|
| S0100-ND |
| S0103-ND |
| S0160-ND |
| S0237-ND |
| S0316-ND |
| S0335-ND |
| S0445-ND |
| S0788-ND |
| S0870-ND |
| S0871-ND |
| S0918-ND |
| S0946-ND |
| S0952-ND |
| S0965-ND |
| S0975-ND |
| S1022-ND |
| S1025-ND |
| S1076-ND |
| S1095-ND |
| S1182-ND |
| V0023-ND |

| Rendel. szám |
|--------------|
| S0003-ND |
| S0004-ND |
| S0008-ND |
| S0009-ND |
| S0036-ND |
| S0036K-ND |
| S0085-ND |
| S0109-ND |
| S0399-ND |
| S0437-ND |
| S0446-ND |

| Rendel. szám |
|--------------|
| S0447-ND |
| S0453-ND |
| S0513-ND |
| S0525-ND |
| S0986-ND |
| S1182-ND |
| S1425A-ND |
| S1522-ND |
| S1566-ND |
| S1567-ND |

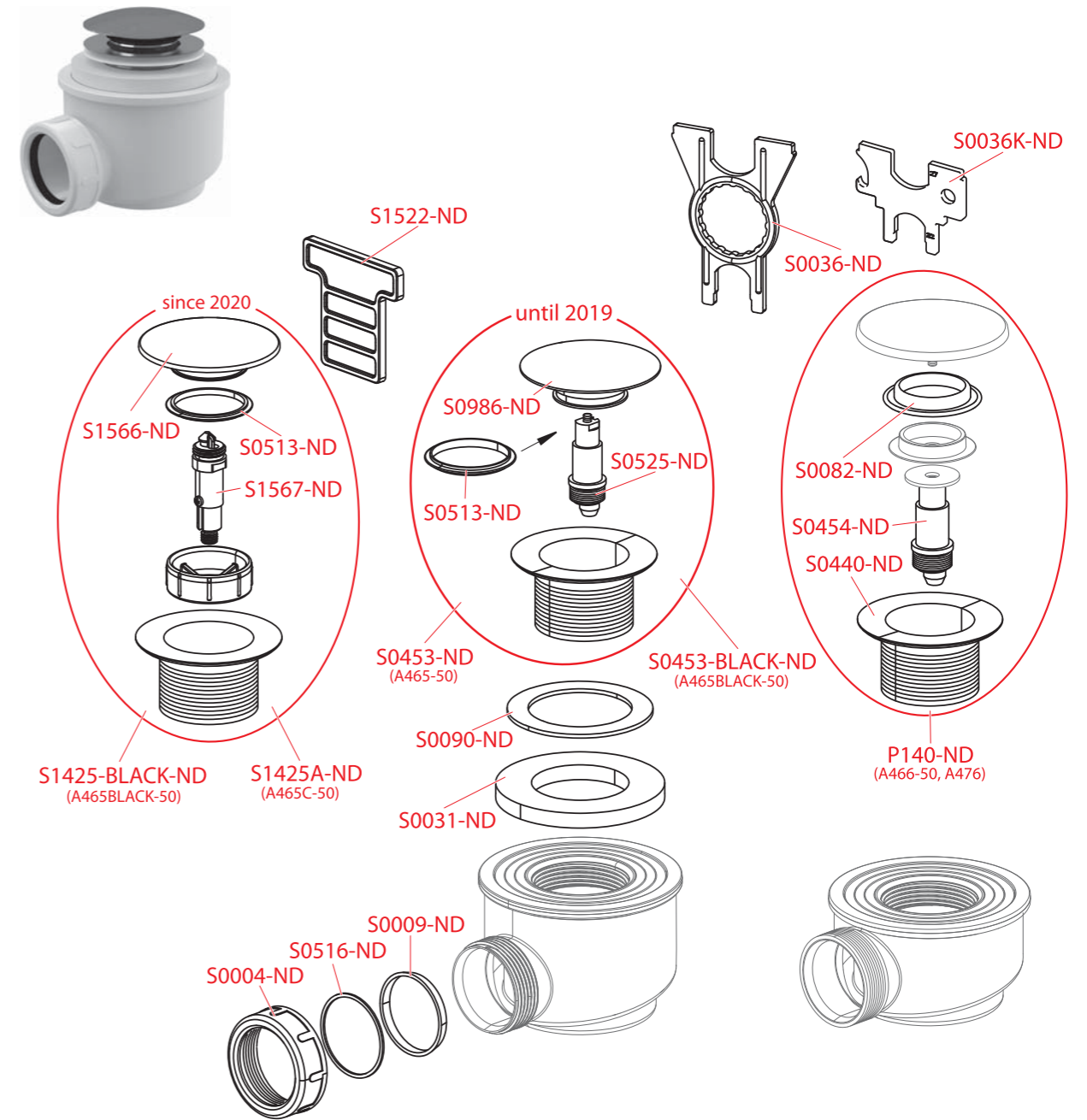
A461, A462



| Rendel. szám |
|--------------|
| P0019-ND |
| P054-ND |
| S0004-ND |
| S0009-ND |
| S0014-ND |

| Rendel. szám |
|--------------|
| S0065-ND |
| S0085-ND |
| S0090-ND |
| S0116-ND |
| S0516-ND |

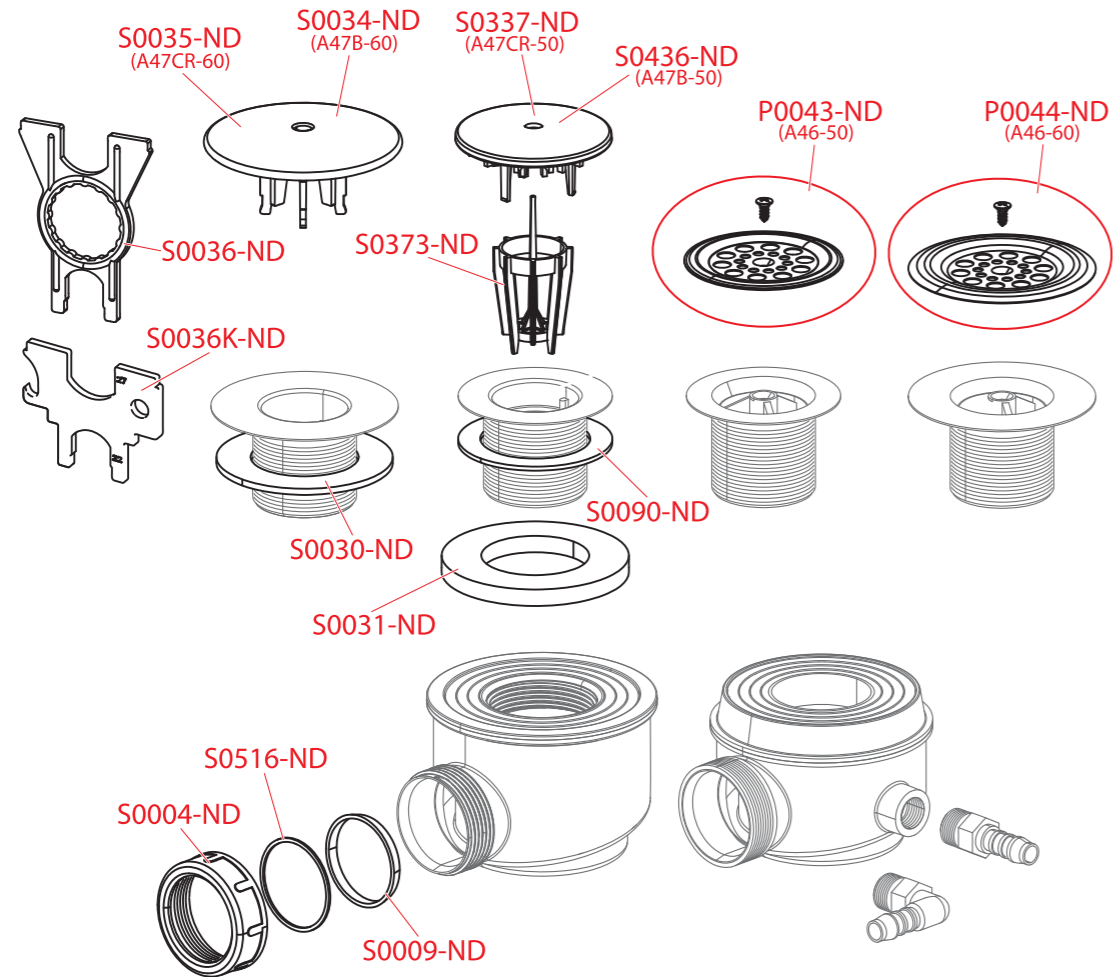
A465, A466, A476, A465BLACK



| Rendel. szám |
|----------------|
| P140-ND |
| S0004-ND |
| S0009-ND |
| S0031-ND |
| S0036-ND |
| S0036K-ND |
| S0082-ND |
| S0090-ND |
| S0440-ND |
| S0453-BLACK-ND |
| S0453-ND |

| Rendel. szám |
|----------------|
| S0454-ND |
| S0513-ND |
| S0516-ND |
| S0525-ND |
| S0986-ND |
| S1425-BLACK-ND |
| S1425A-ND |
| S1522-ND |
| S1566-ND |
| S1567-ND |

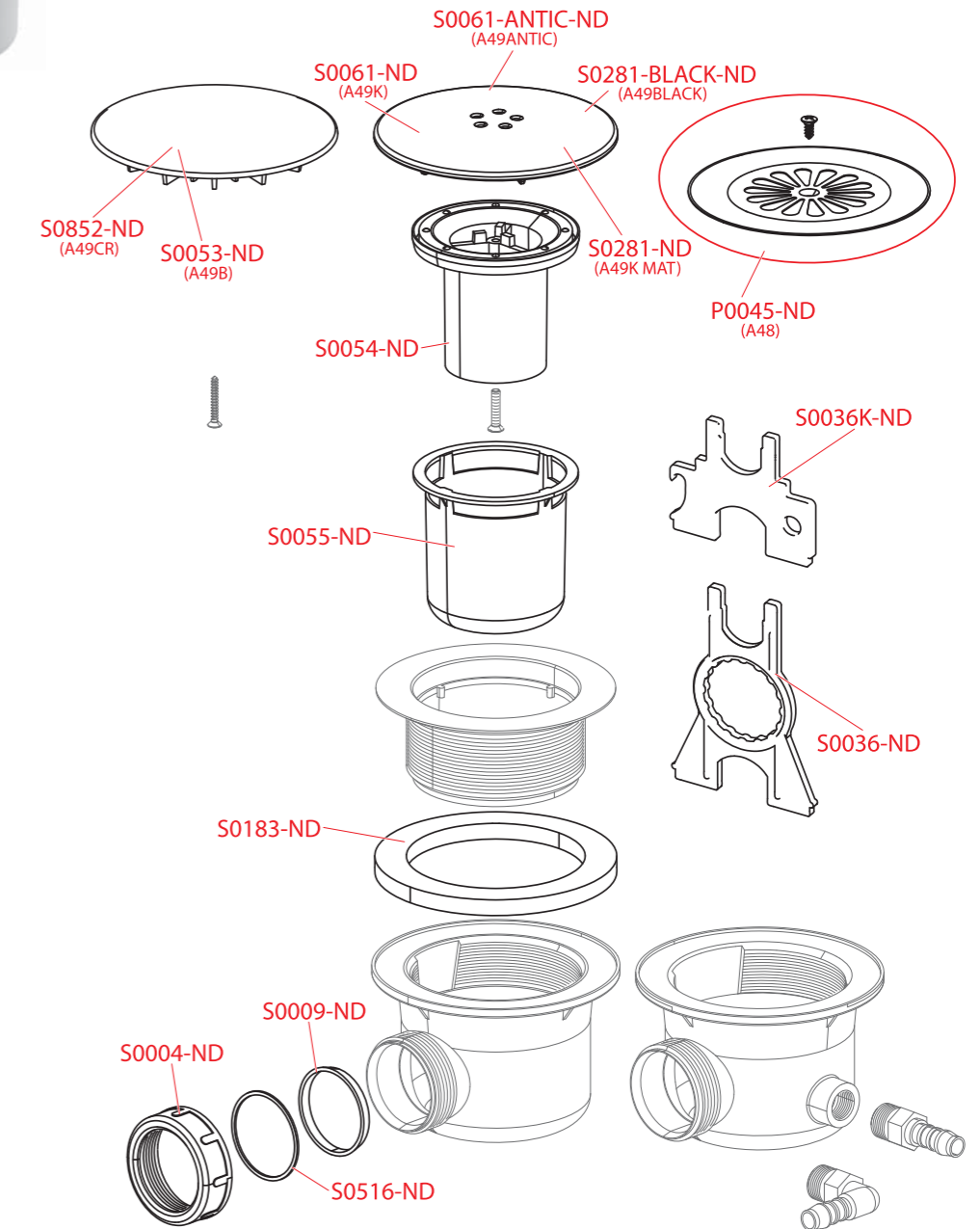
A46, A47B, A47CR



| Rendel. szám |
|--------------|
| P0043-ND |
| P0044-ND |
| S0004-ND |
| S0009-ND |
| S0030-ND |
| S0031-ND |
| S0034-ND |
| S0035-ND |

| Rendel. szám |
|--------------|
| S0036-ND |
| S0036K-ND |
| S0090-ND |
| S0337-ND |
| S0373-ND |
| S0436-ND |
| S0516-ND |

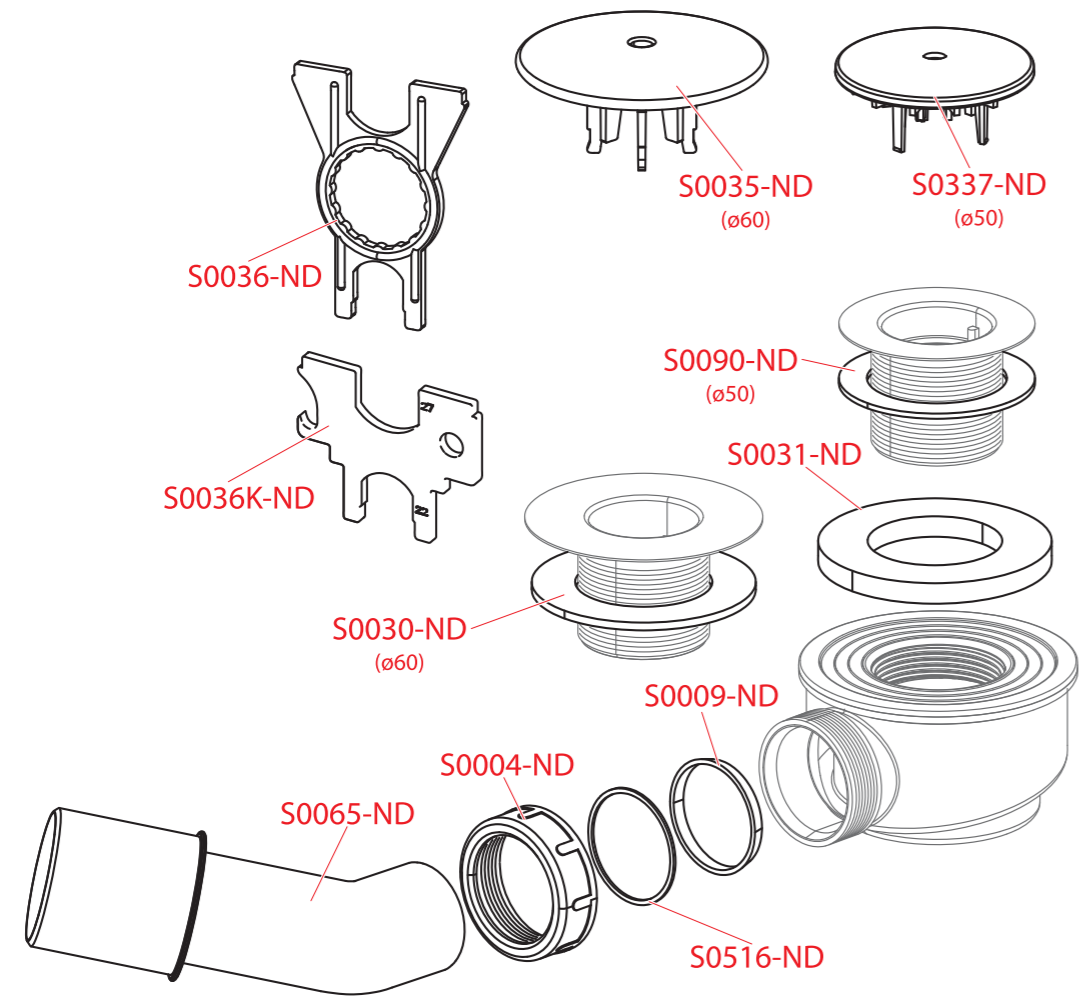
A48, A49



| Rendel. szám |
|--------------|
| P0045-ND |
| S0004-ND |
| S0009-ND |
| S0036-ND |
| S0036K-ND |
| S0053-ND |
| S0054-ND |
| S0055-ND |

| Rendel. szám |
|----------------|
| S0061-ANTIC-ND |
| S0061-ND |
| S0183-ND |
| S0281-BLACK-ND |
| S0281-ND |
| S0516-ND |
| S0852-ND |

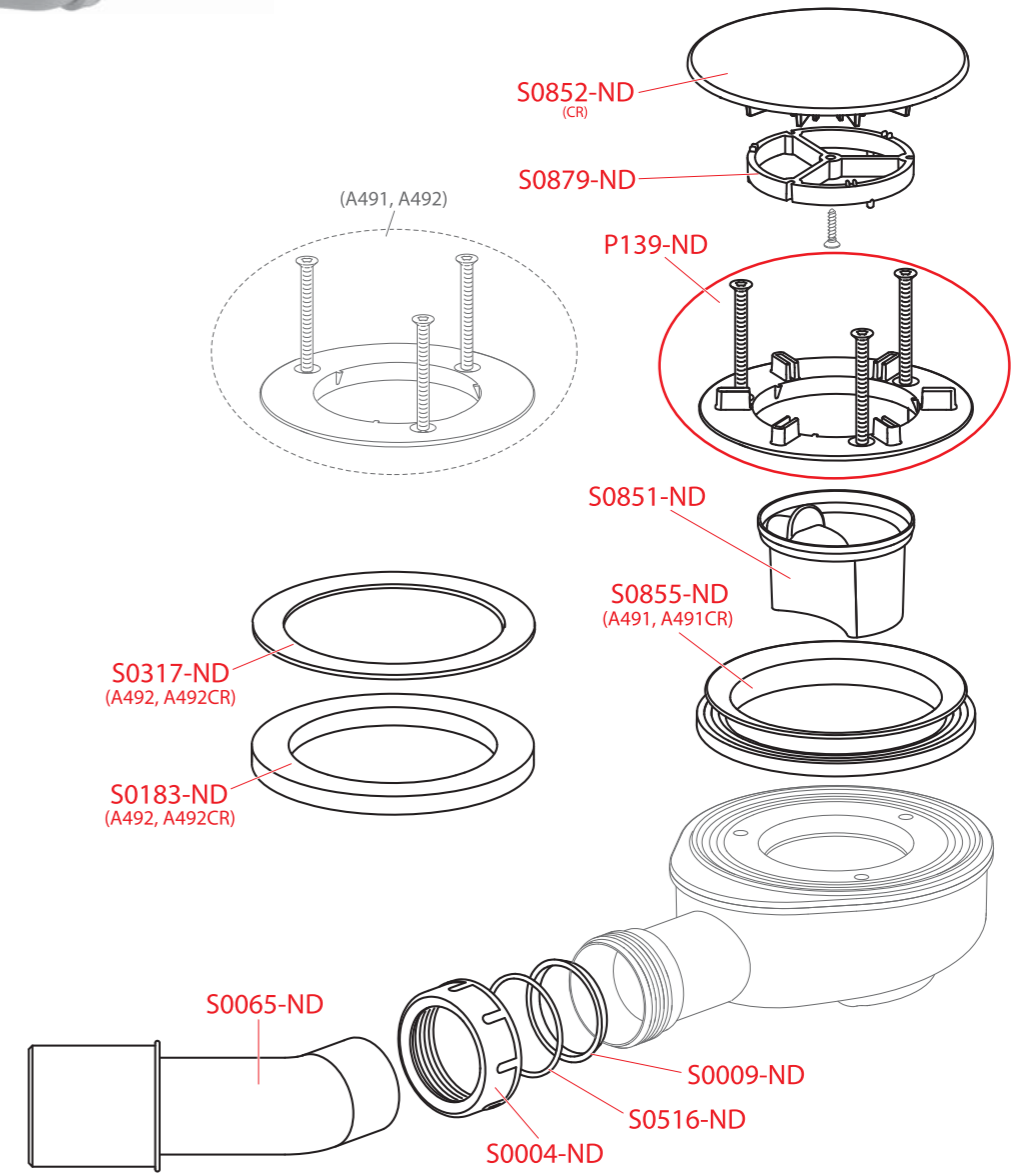
A471CR



| Rendel. szám |
|--------------|
| S0004-ND |
| S0009-ND |
| S0030-ND |
| S0031-ND |
| S0035-ND |
| S0036-ND |

| Rendel. szám |
|--------------|
| S0036K-ND |
| S0065-ND |
| S0090-ND |
| S0337-ND |
| S0516-ND |

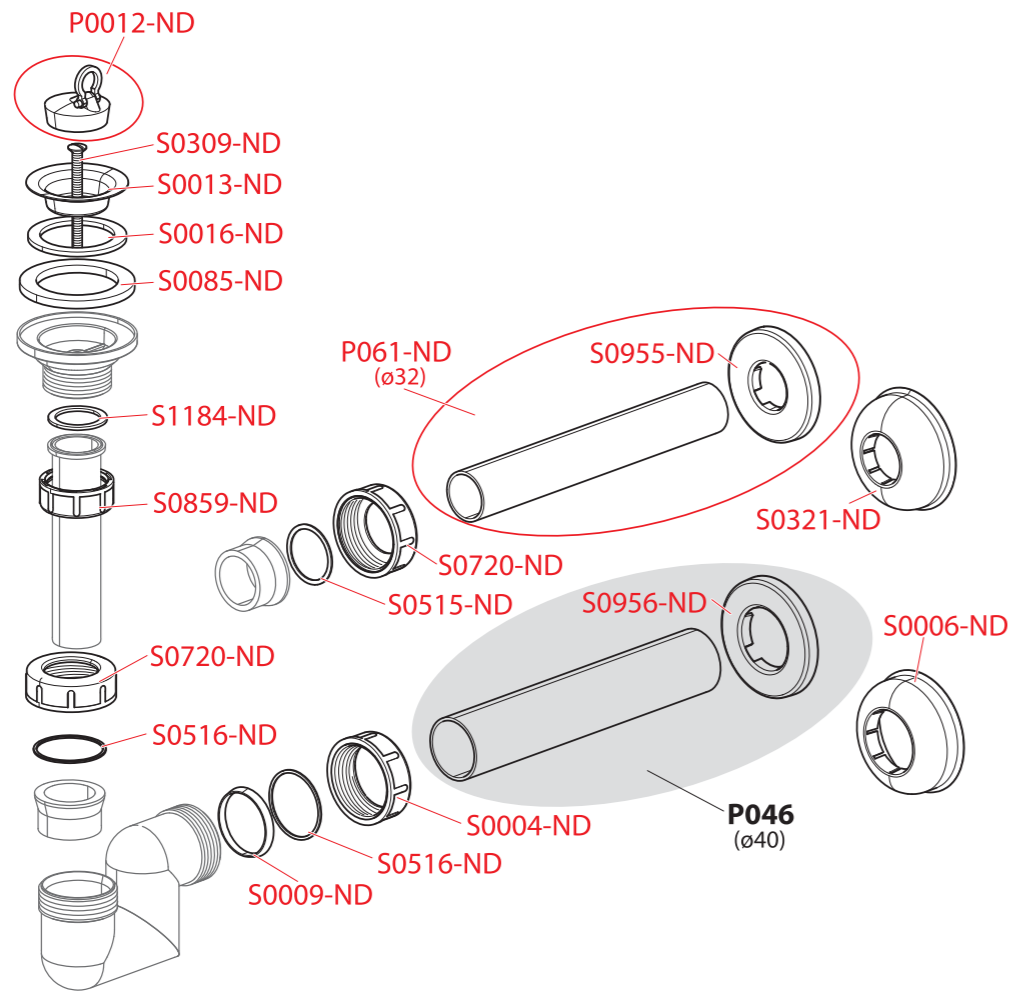
A491CR, A492CR



| Rendel. szám |
|--------------|
| P139-ND |
| S0004-ND |
| S0009-ND |
| S0065-ND |
| S0183-ND |
| S0317-ND |

| Rendel. szám |
|--------------|
| S0516-ND |
| S0851-ND |
| S0852-ND |
| S0855-ND |
| S0879-ND |

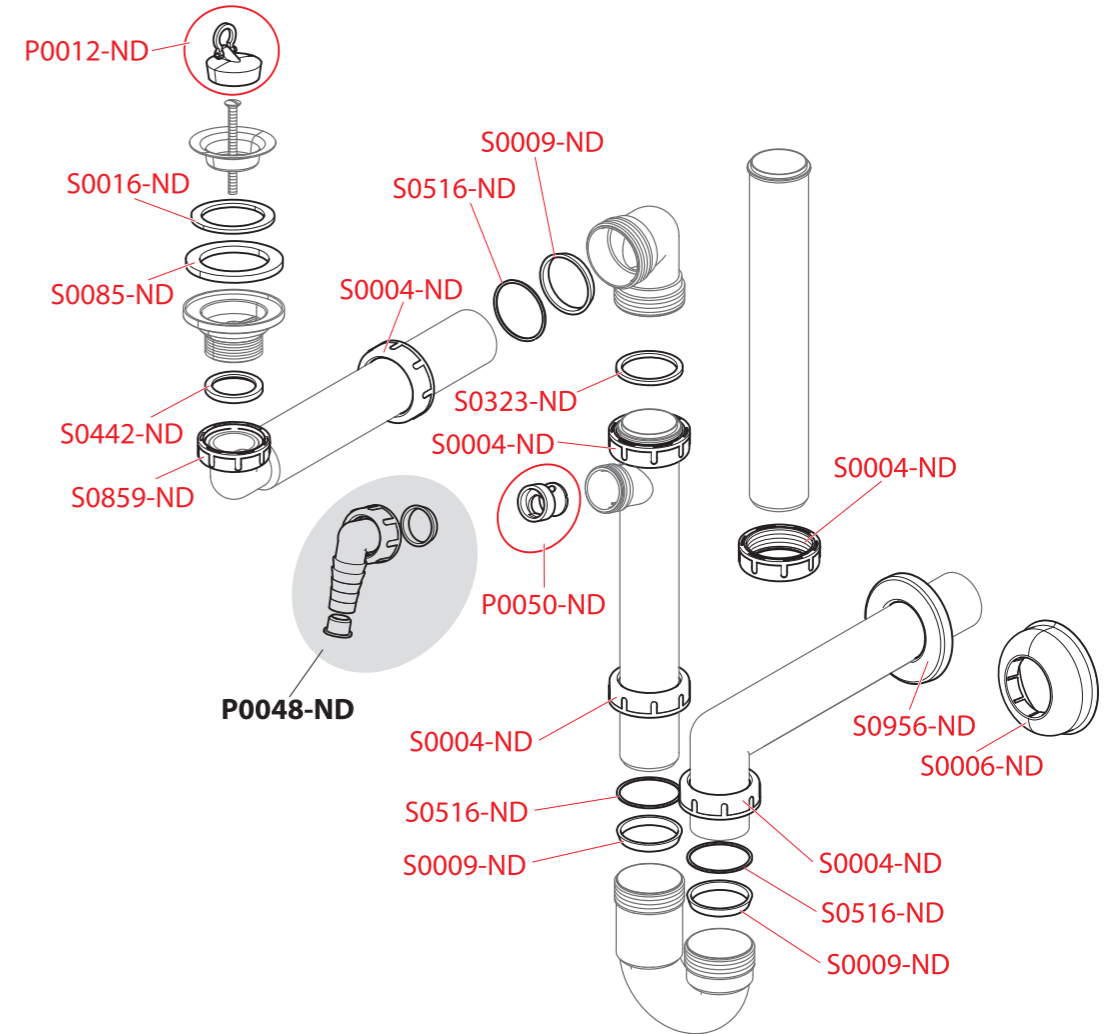
A412, A45F



| Rendel. szám |
|--------------|
| P0012-ND |
| P061-ND |
| S0004-ND |
| S0006-ND |
| S0009-ND |
| S0013-ND |
| S0016-ND |
| S0085-ND |
| S0309-ND |

| Rendel. szám |
|--------------|
| S0321-ND |
| S0515-ND |
| S0516-ND |
| S0720-ND |
| S0859-ND |
| S0955-ND |
| S0956-ND |
| S1184-ND |

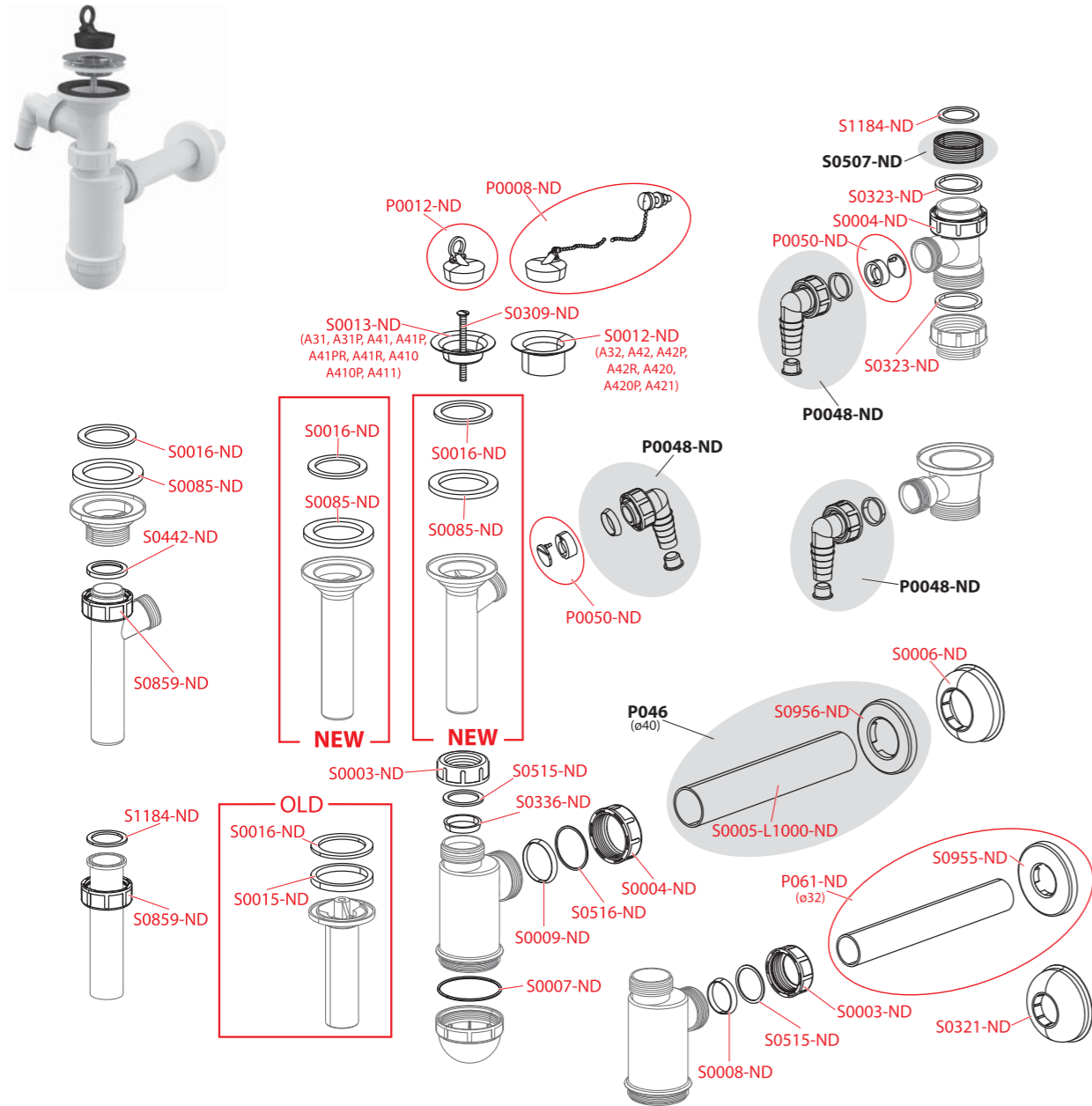
A413, A434, A872P



| Rendel. szám |
|--------------|
| P0012-ND |
| P0050-ND |
| S0004-ND |
| S0006-ND |
| S0009-ND |
| S0016-ND |

| Rendel. szám |
|--------------|
| S0085-ND |
| S0323-ND |
| S0442-ND |
| S0516-ND |
| S0859-ND |
| S0956-ND |

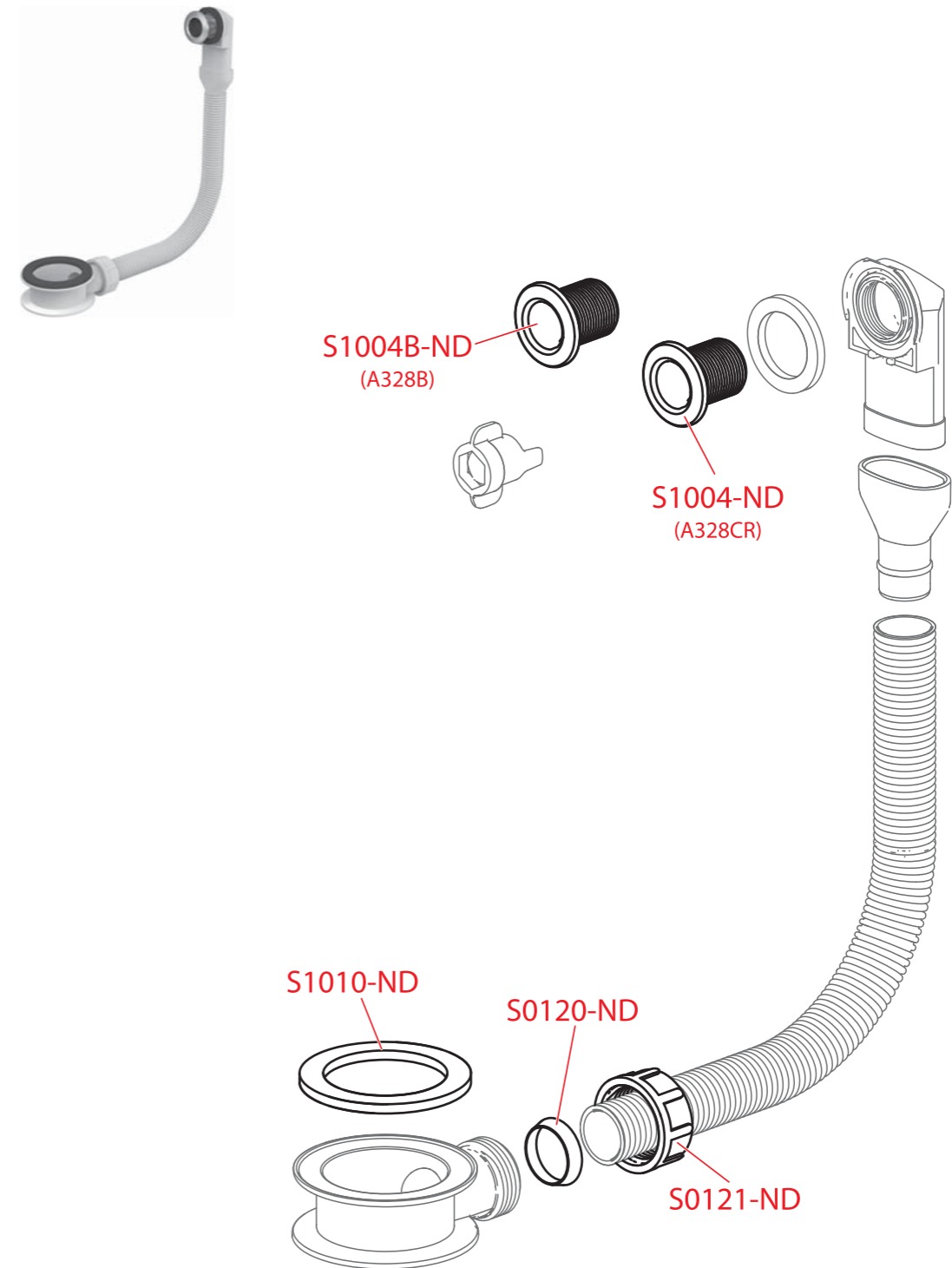
A31, A32, A41, A42, A43, A300, A31P, A410, A411, A41P, A41R, A420, A421, A42P, A42R, A430, A43P, A410P, A41PR, A420P, A430P



| Rendel. szám |
|----------------|
| P0008-ND |
| P0012-ND |
| P0050-ND |
| P061-ND |
| S0003-ND |
| S0004-ND |
| S0005-L1000-ND |
| S0006-ND |
| S0007-ND |
| S0008-ND |
| S0009-ND |
| S0012-ND |
| S0013-ND |
| S0015-ND |

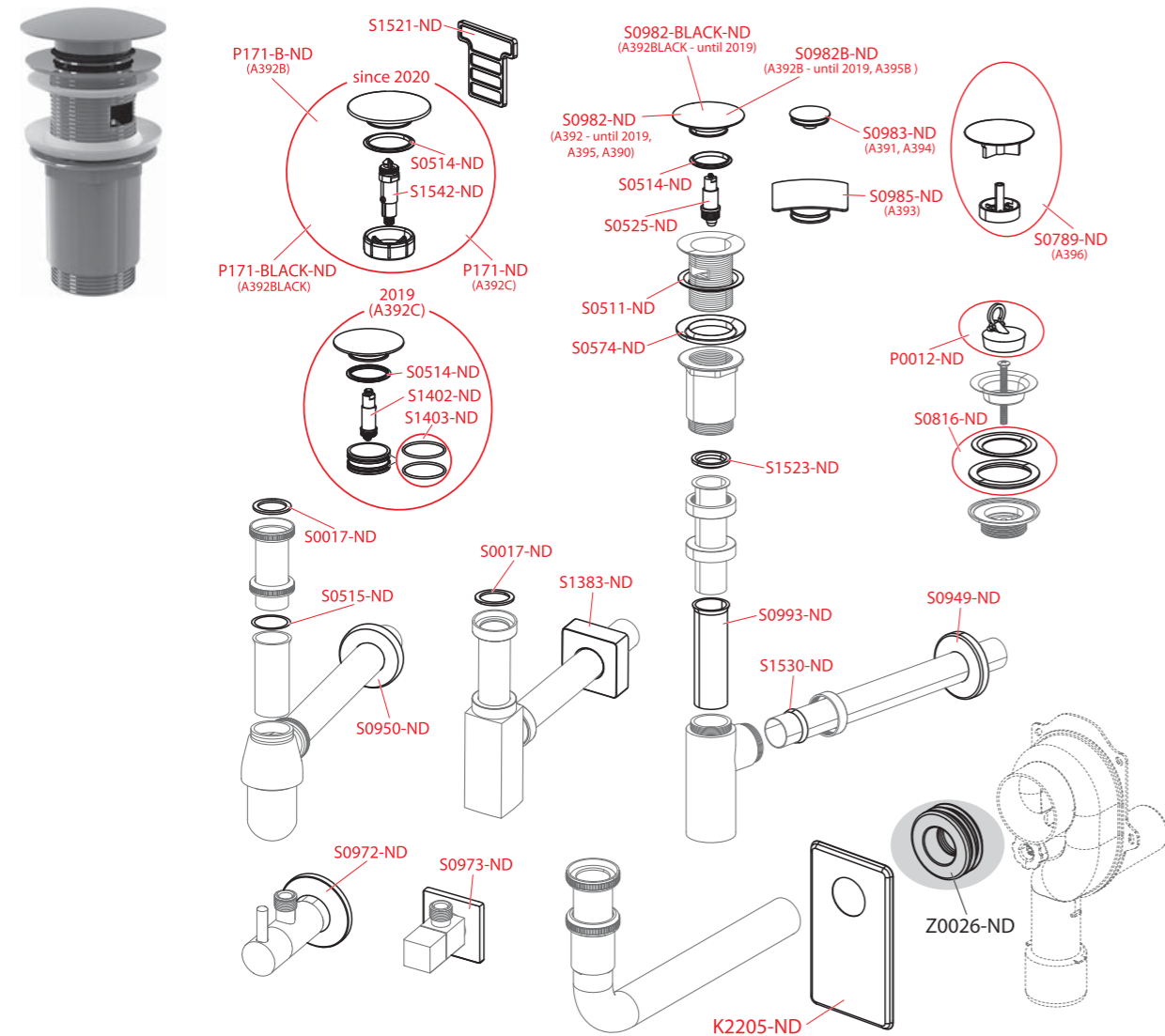
| Rendel. szám |
|--------------|
| S0016-ND |
| S0085-ND |
| S0309-ND |
| S0321-ND |
| S0323-ND |
| S0336-ND |
| S0442-ND |
| S0515-ND |
| S0516-ND |
| S0859-ND |
| S0955-ND |
| S0956-ND |
| S1184-ND |

A328B, A328CR



| Rendel. szám |
|--------------|
| S0120-ND |
| S0121-ND |
| S1004-ND |
| S1004B-ND |
| S1010-ND |

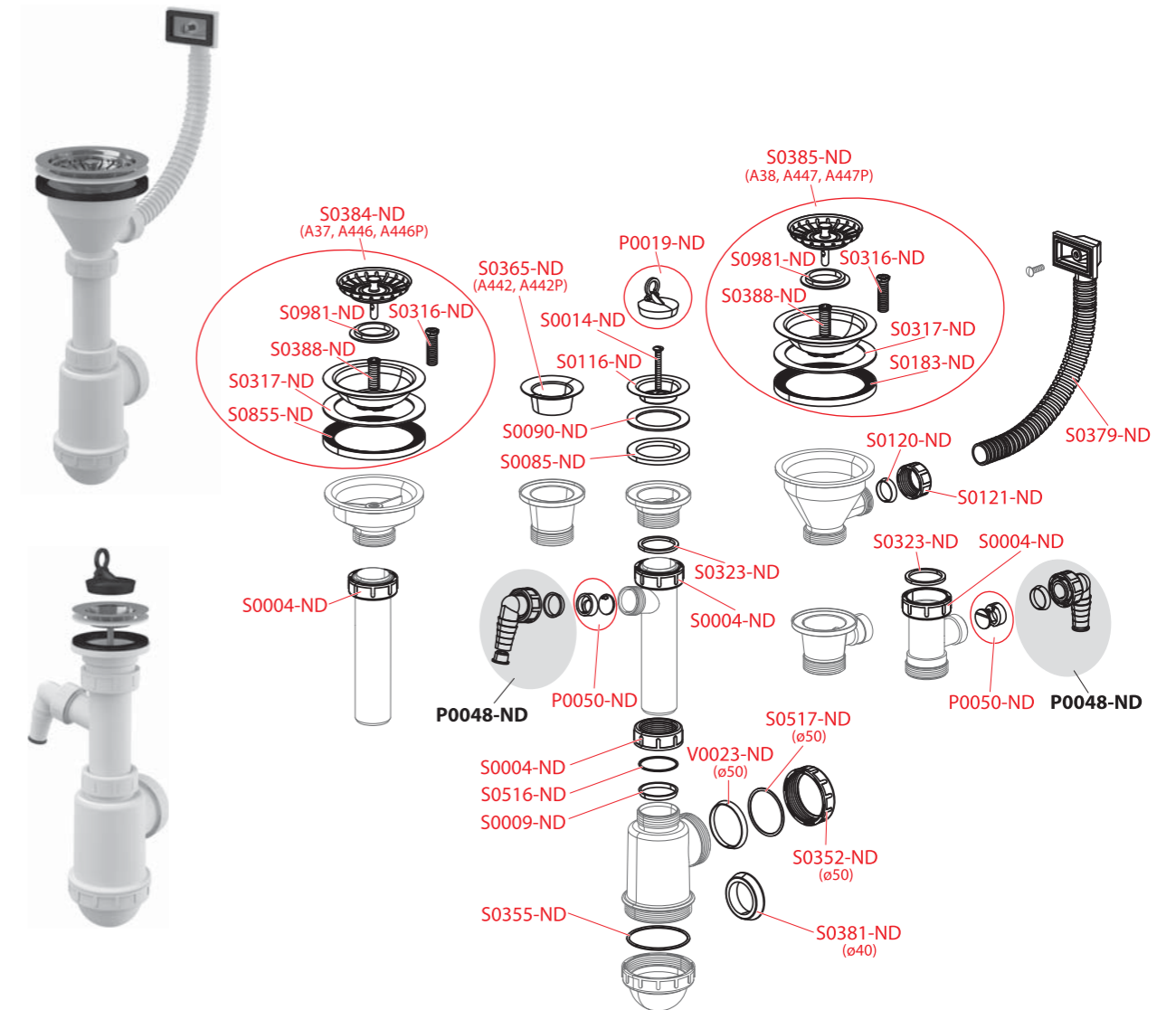
A39, A390, A391, A392, A392ANTIC, A392B, A392BLACK, A392C, A393, A394, A395, A395B, A396, A400, A400B, A401, A402, A403, A431, A432, A437, A438, A439, A4000, A4000B, A4320, ARV001, ARV002



| Rendel. szám |
|---------------|
| K2205-ND |
| P0012-ND |
| P171-B-ND |
| P171-BLACK-ND |
| P171-ND |
| S0017-ND |
| S0511-ND |
| S0514-ND |
| S0515-ND |
| S0525-ND |
| S0574-ND |
| S0789-ND |
| S0816-ND |
| S0949-ND |
| S0950-ND |

| Rendel. szám |
|----------------|
| S0972-ND |
| S0973-ND |
| S0982-BLACK-ND |
| S0982-ND |
| S0982B-ND |
| S0983-ND |
| S0985-ND |
| S0993-ND |
| S1383-ND |
| S1402-ND |
| S1403-ND |
| S1521-ND |
| S1523-ND |
| S1530-ND |
| S1542-ND |

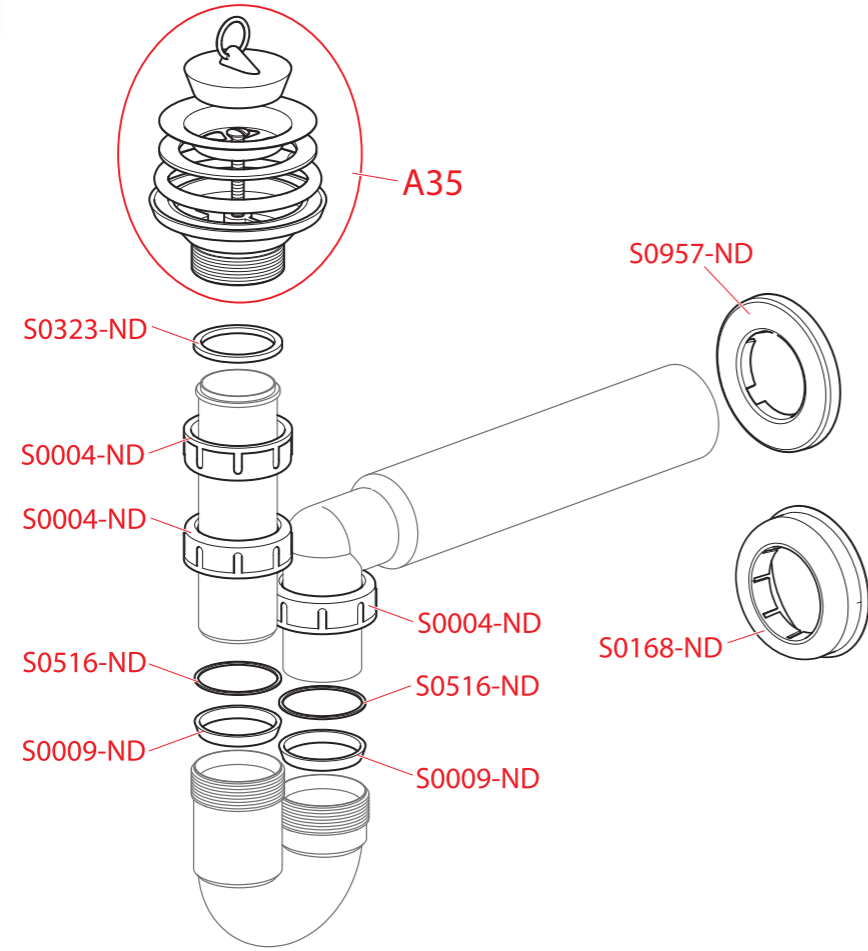
A33, A34, A37, A38, A331, A33P, A441, A442, A443, A444, A446, A447, A441P, A442P, A443P, A444P, A446P, A447P



| Rendel. szám |
|--------------|
| P0019-ND |
| P0050-ND |
| S0004-ND |
| S0009-ND |
| S0014-ND |
| S0085-ND |
| S0090-ND |
| S0116-ND |
| S0120-ND |
| S0121-ND |
| S0183-ND |
| S0316-ND |
| S0317-ND |
| S0323-ND |

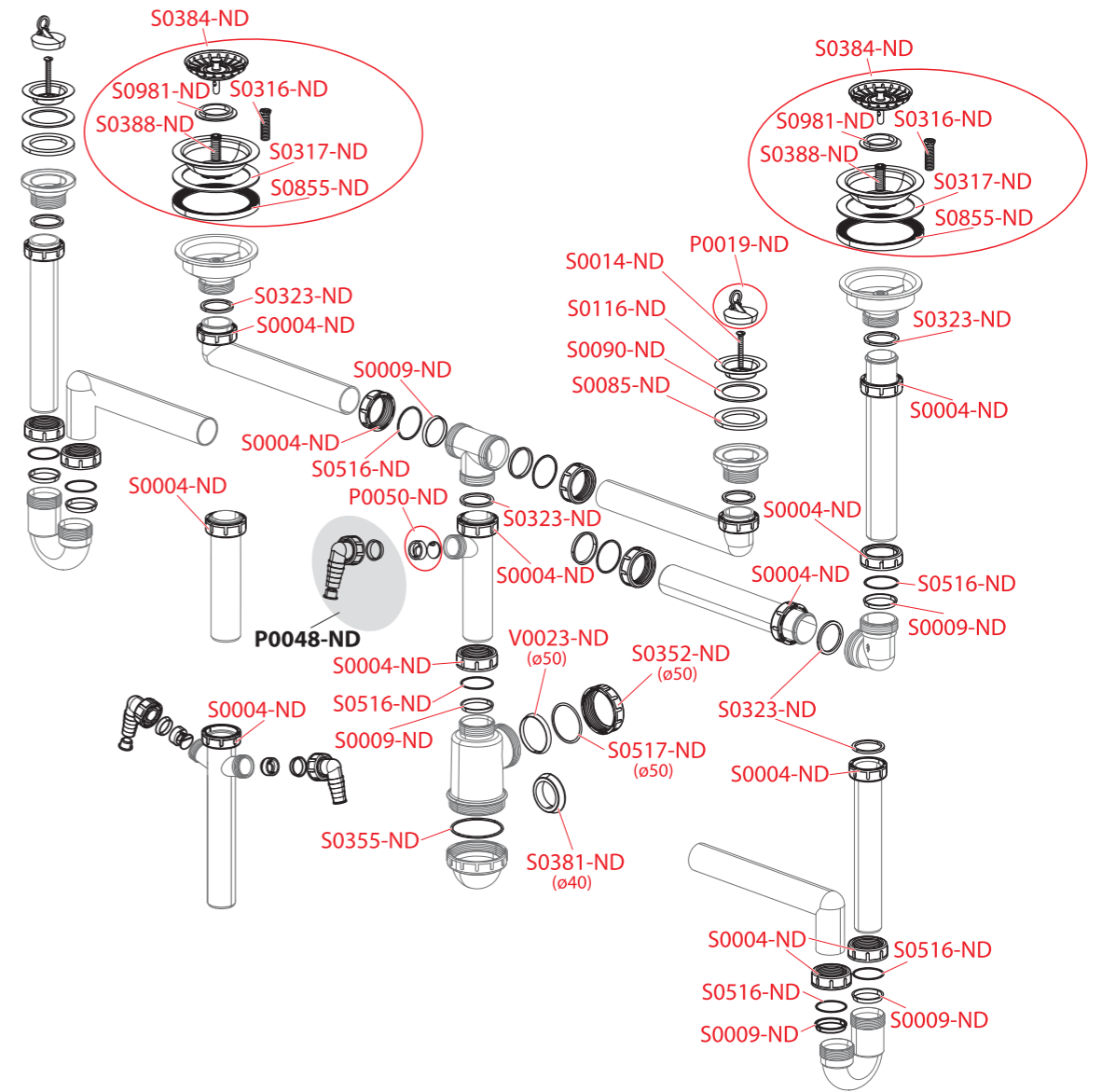
| Rendel. szám |
|--------------|
| S0352-ND |
| S0355-ND |
| S0365-ND |
| S0379-ND |
| S0381-ND |
| S0384-ND |
| S0385-ND |
| S0388-ND |
| S0516-ND |
| S0517-ND |
| S0855-ND |
| S0981-ND |
| V0023-ND |

A464



| Rendel. szám |
|--------------|
| A35 |
| S0004-ND |
| S0009-ND |
| S0168-ND |
| S0323-ND |
| S0516-ND |
| S0957-ND |

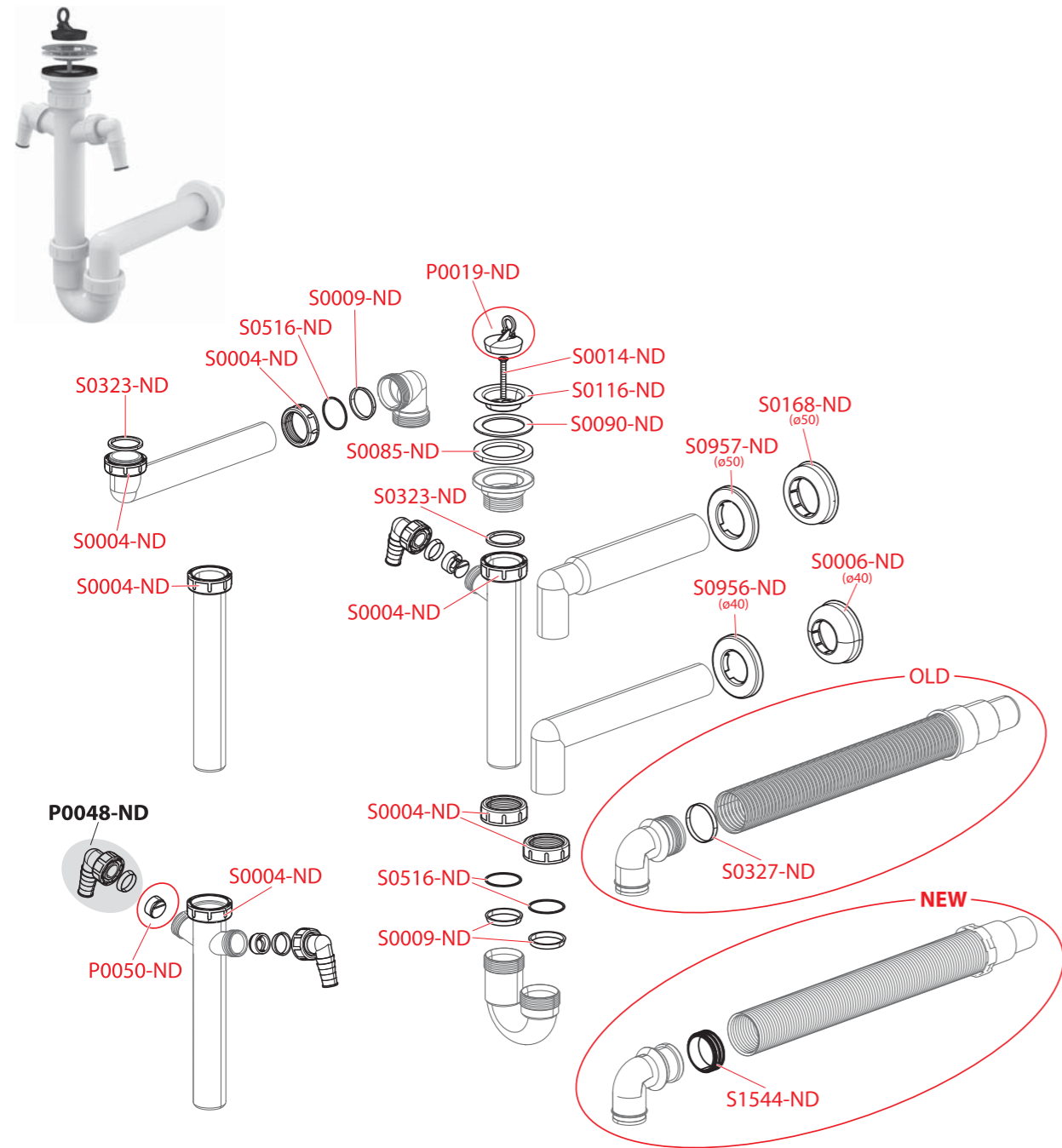
A448, A449, A448P, A449P, A453P, A454P, A8000



| Rendel. szám |
|--------------|
| P0019-ND |
| P0050-ND |
| S0004-ND |
| S0009-ND |
| S0014-ND |
| S0085-ND |
| S0090-ND |
| S0116-ND |
| S0316-ND |
| S0317-ND |
| S0323-ND |

| Rendel. szám |
|--------------|
| S0352-ND |
| S0355-ND |
| S0381-ND |
| S0384-ND |
| S0388-ND |
| S0516-ND |
| S0517-ND |
| S0855-ND |
| S0981-ND |
| V0023-ND |

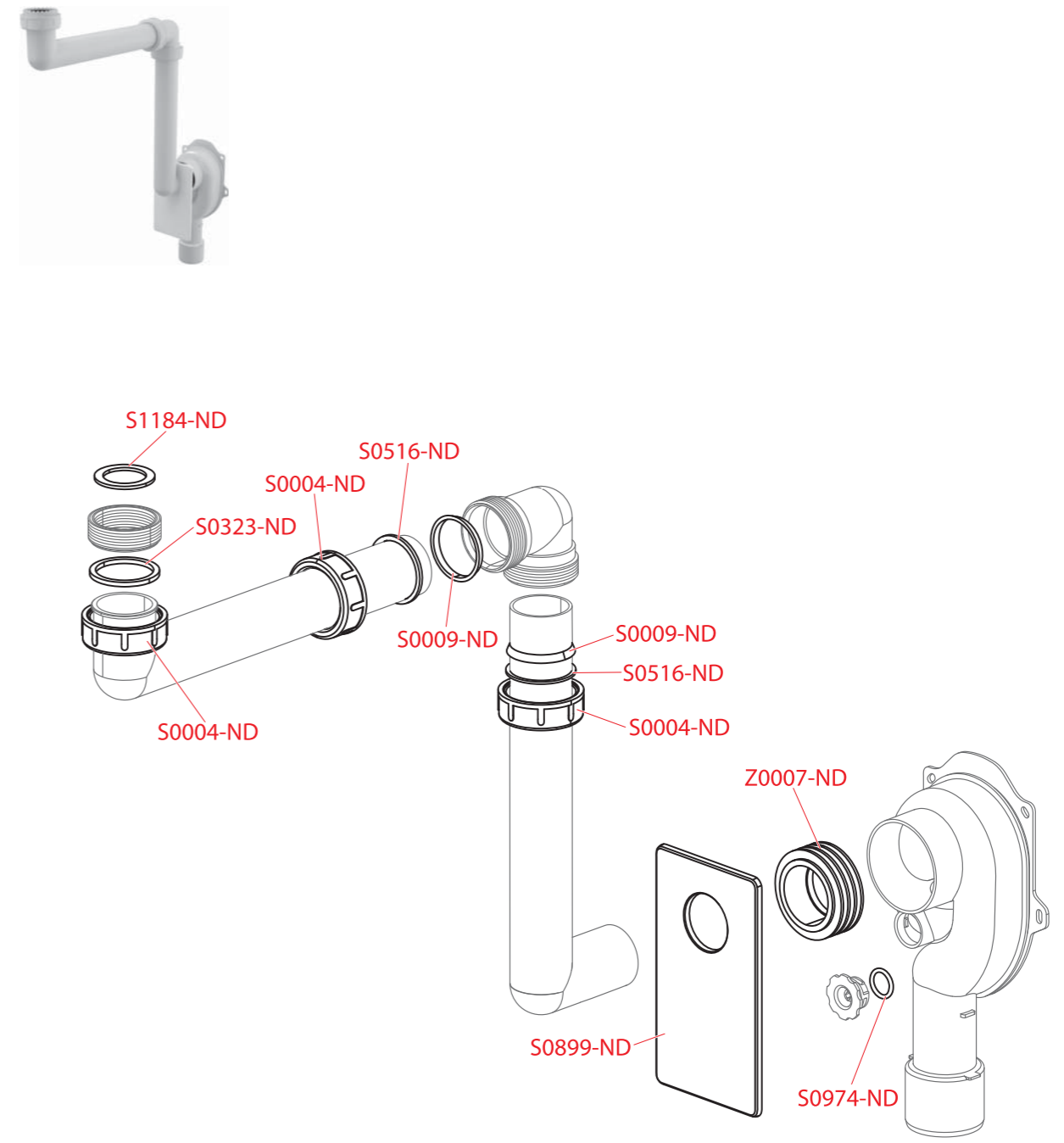
A80, A81, A82, A83, A84, A44M, A800, A810, A820, A830, A840, A870P



| Rendel. szám |
|--------------|
| P0019-ND |
| P0050-ND |
| S0004-ND |
| S0006-ND |
| S0009-ND |
| S0014-ND |
| S0085-ND |
| S0090-ND |

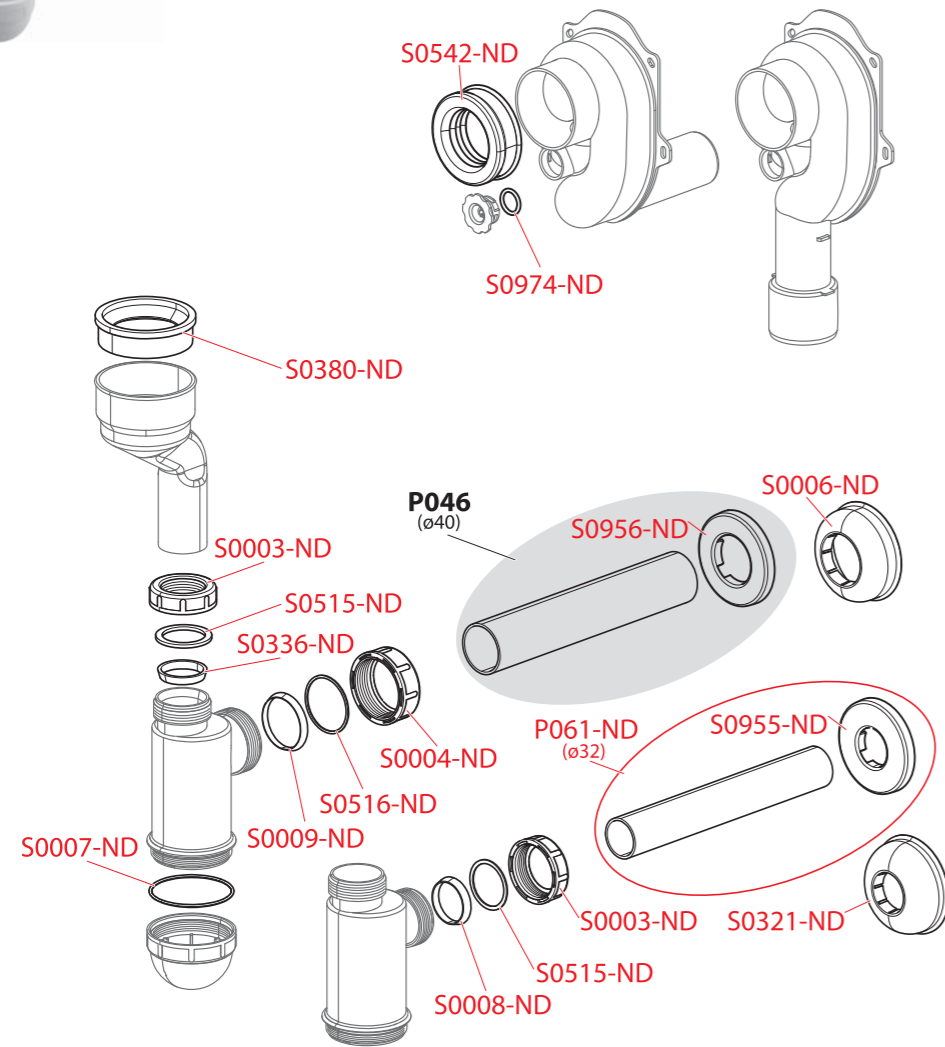
| Rendel. szám |
|--------------|
| S0116-ND |
| S0168-ND |
| S0323-ND |
| S0327-ND |
| S0516-ND |
| S0956-ND |
| S0957-ND |
| S1544-ND |

A873



| Rendel. szám |
|--------------|
| S0004-ND |
| S0009-ND |
| S0323-ND |
| S0516-ND |
| S0899-ND |
| S0974-ND |
| S1184-ND |
| Z0007-ND |

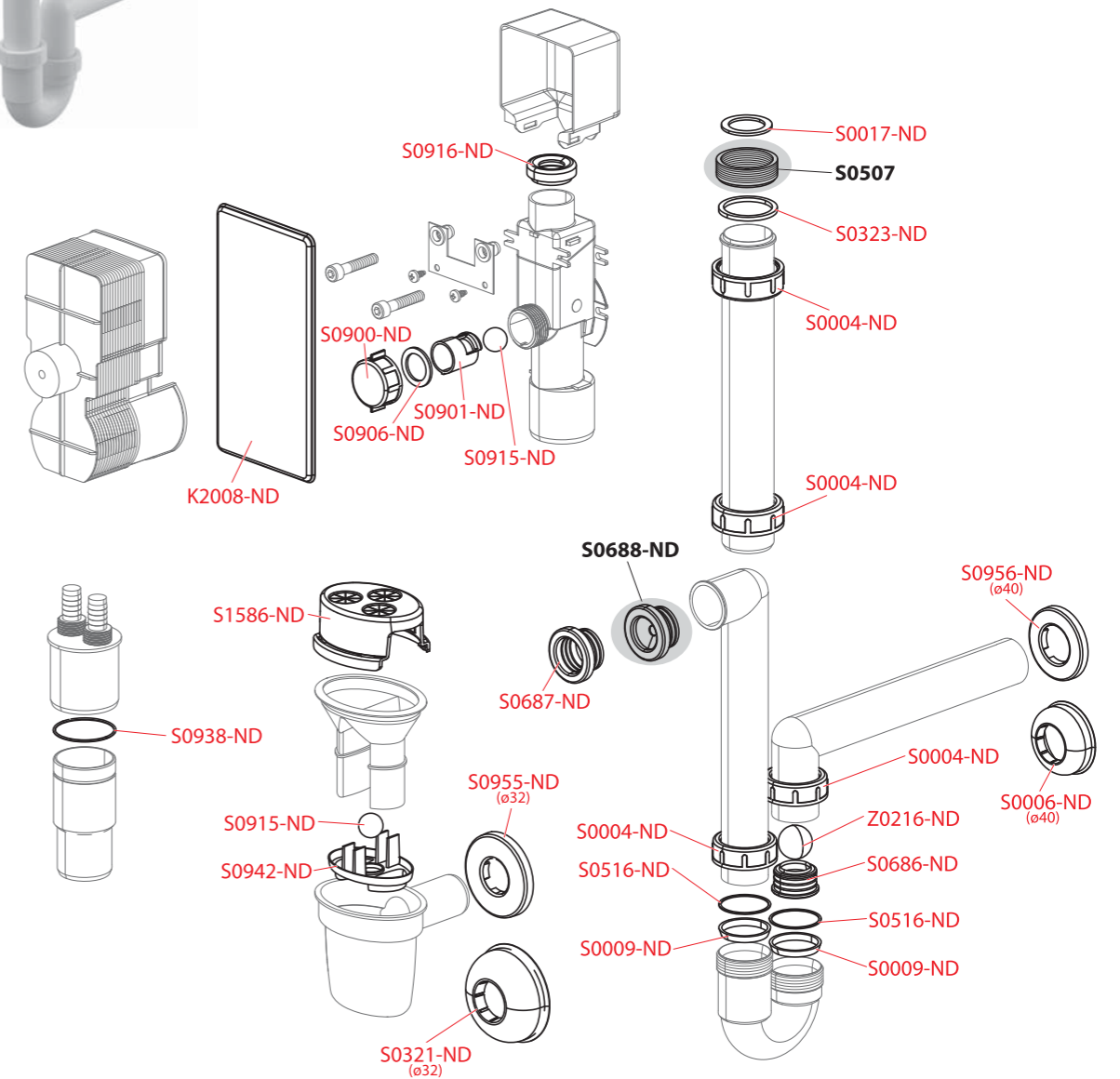
A45A, A45B, A45C



| Rendel. szám |
|--------------|
| P061-ND |
| S0003-ND |
| S0004-ND |
| S0006-ND |
| S0007-ND |
| S0008-ND |
| S0009-ND |
| S0321-ND |

| Rendel. szám |
|--------------|
| S0336-ND |
| S0380-ND |
| S0515-ND |
| S0516-ND |
| S0542-ND |
| S0955-ND |
| S0956-ND |
| S0974-ND |

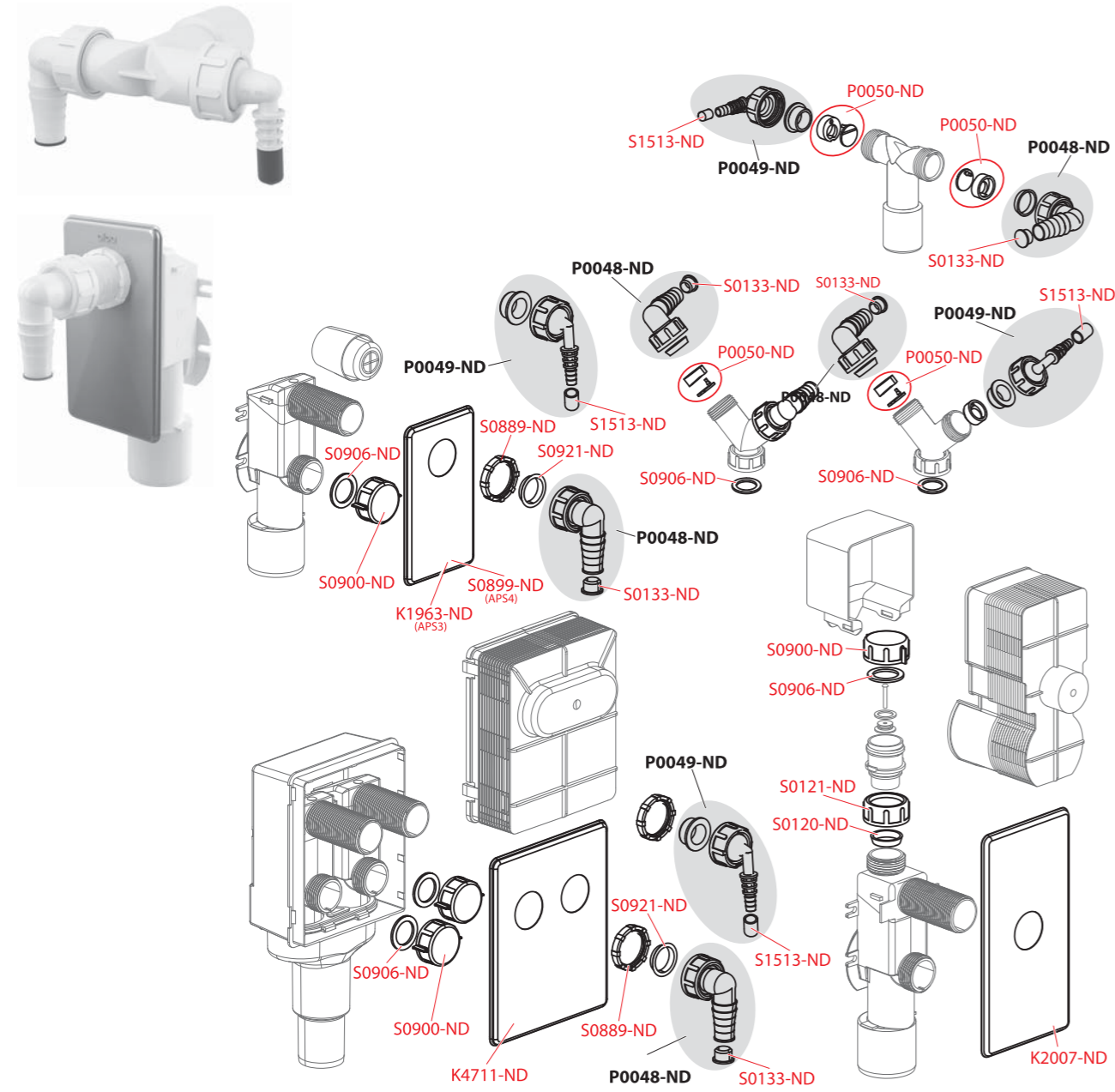
AKS1, AKS2, AKS3, AKS4, AKS5, AKS6, AKS1Z



| Rendel. szám |
|--------------|
| K2008-ND |
| S0004-ND |
| S0006-ND |
| S0009-ND |
| S0017-ND |
| S0321-ND |
| S0323-ND |
| S0516-ND |
| S0686-ND |
| S0687-ND |
| S0900-ND |

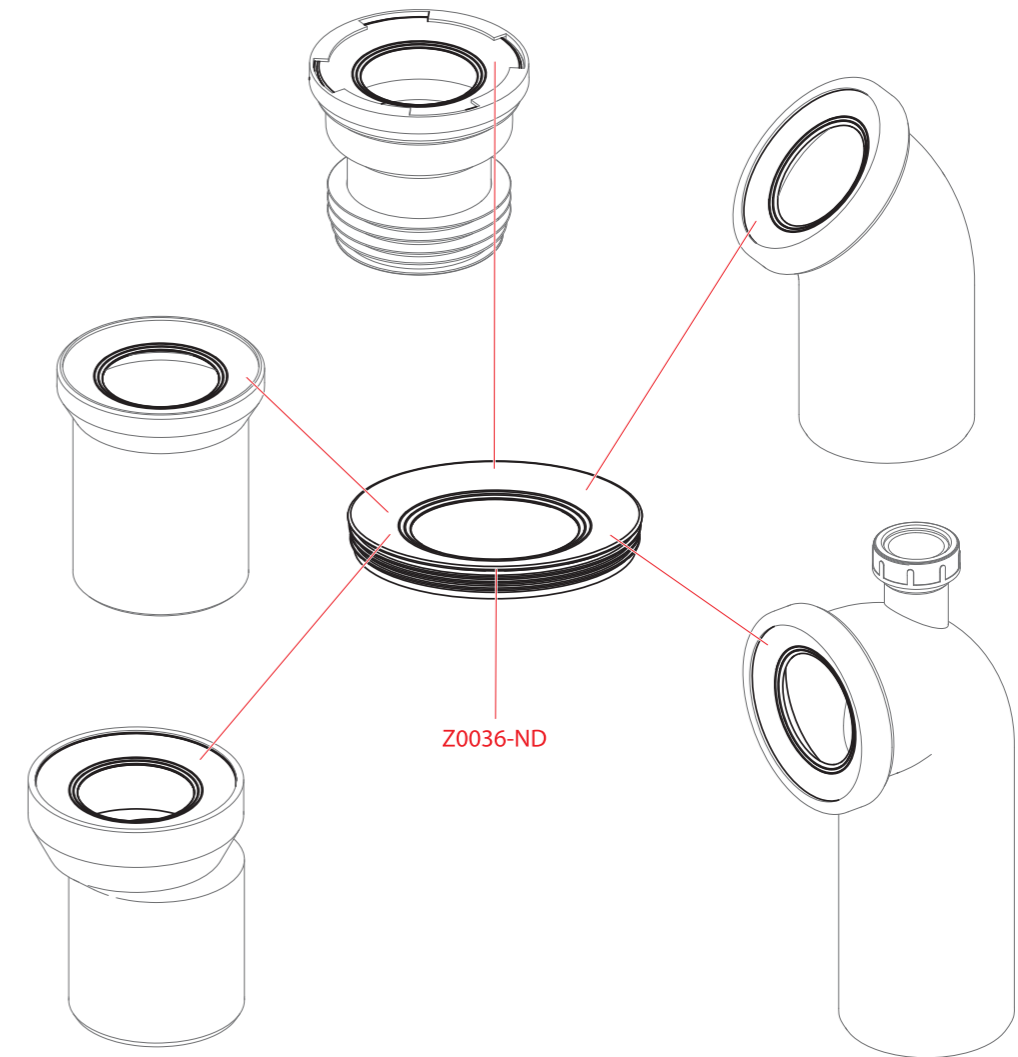
| Rendel. szám |
|--------------|
| S0901-ND |
| S0906-ND |
| S0915-ND |
| S0916-ND |
| S0938-ND |
| S0942-ND |
| S0955-ND |
| S0956-ND |
| S1586-ND |
| Z0216-ND |

APS3, APS4, APS6, P148, APS3P, P148Z, P149Z, P155Z, P156Z



| Rendel. szám |
|--------------|
| K1963-ND |
| K2007-ND |
| K4711-ND |
| P0050-ND |
| S0120-ND |
| S0121-ND |
| S0133-ND |
| S0889-ND |
| S0899-ND |
| S0900-ND |
| S0906-ND |
| S0921-ND |
| S1513-ND |

A90, A91, A92, A970, A991



| Rendel. szám |
|--------------|
| Z0036-ND |

| | | |
|-----------|---------------|----|
| A35 | 8594045935417 | 90 |
| A681 | 8595580545826 | 28 |
| AGV900 | 8595580520632 | 67 |
| AGV900S | 8595580520687 | 67 |
| AGV910 | 8595580520649 | 67 |
| AGV910S | 8595580520694 | 67 |
| AGV920 | 8595580520656 | 67 |
| AGV920S | 8595580520700 | 67 |
| AGV930 | 8595580520663 | 67 |
| AGV930S | 8595580520717 | 67 |
| AGV940 | 8595580520670 | 67 |
| AGV940S | 8595580520724 | 67 |
| APV0002 | 8595580507558 | 69 |
| APV0003 | 8595580507572 | 69 |
| APV0100 | 8595580507329 | 69 |
| APV0200 | 8595580507343 | 69 |
| APV0300 | 8595580507367 | 69 |
| APV0400 | 8595580507381 | 69 |
| APV0500 | 8595580507404 | 69 |
| APV0600 | 8595580507435 | 69 |
| APV0700 | 8595580507459 | 69 |
| APV0900 | 8595580522193 | 70 |
| APV1000 | 8595580507183 | 69 |
| APV2000 | 8595580507206 | 69 |
| APV3000 | 8595580507220 | 69 |
| APV4000 | 8595580507244 | 69 |
| APV5000 | 8595580507268 | 69 |
| APV6000 | 8595580507282 | 69 |
| APV7000 | 8595580507305 | 70 |
| AVZ101 | 8595580543884 | 64 |
| AVZ101S | 8595580548926 | 66 |
| AVZ102A | 8595580543891 | 64 |
| AVZ102B | 8595580543907 | 64 |
| AVZ103 | 8595580543914 | 64 |
| AVZ104 | 8595580548971 | 64 |
| AVZ112 | 8595580572167 | 63 |
| AVZ-P005 | 8595580511593 | 64 |
| AVZ-P006 | 8595580511647 | 64 |
| AVZ-P007 | 8595580557577 | 64 |
| AVZ-P014K | 8595580550325 | 64 |
| AVZ-P014L | 8595580550332 | 64 |
| AVZ-R101 | 8595580540548 | 64 |
| AVZ-R102 | 8595580540555 | 63 |
| AVZ-R102S | 8595580554163 | 65 |
| AVZ-R103 | 8595580540562 | 64 |
| AVZ-R103S | 8595580544294 | 64 |
| AVZ-R104 | 8595580540579 | 64 |
| AVZ-R104S | 8595580544287 | 64 |
| AVZ-R201 | 8595580540586 | 64 |
| AVZ-R202 | 8595580547455 | 64 |
| AVZ-R401 | 8595580547769 | 64 |
| AVZ-R402 | 8595580547462 | 64 |
| AVZ-R403 | 8595580547868 | 64 |
| AVZ-R501 | 8595580572174 | 63 |

| | | |
|------------------|---------------|----|
| BUBLE-1050L ANTI | 8595580535292 | 58 |
| BUBLE-1050M ANTI | 8595580535322 | 58 |
| BUBLE-1150L ANTI | 8595580535308 | 58 |
| BUBLE-1150M ANTI | 8595580535315 | 58 |
| BUBLE-300L ANTI | 8595580535230 | 58 |
| BUBLE-300M ANTI | 8595580535223 | 58 |
| BUBLE-550L ANTI | 8595580535247 | 58 |
| BUBLE-550M ANTI | 8595580535377 | 58 |
| BUBLE-650L ANTI | 8595580535254 | 58 |
| BUBLE-650M ANTI | 8595580535360 | 58 |
| BUBLE-750L ANTI | 8595580535261 | 58 |
| BUBLE-750M ANTI | 8595580535353 | 58 |
| BUBLE-850L ANTI | 8595580535278 | 58 |
| BUBLE-850M ANTI | 8595580535346 | 58 |
| BUBLE-950L ANTI | 8595580535285 | 58 |
| BUBLE-950M ANTI | 8595580535339 | 58 |
| EDEN-1050 | 8595580546731 | 58 |
| EDEN-650 | 8595580546748 | 58 |
| EDEN-750 | 8595580546755 | 58 |
| EDEN-850 | 8595580546762 | 58 |
| EDEN-950 | 8595580546779 | 58 |
| K0569-ND | 8595580533212 | 54 |
| K0629-ND | 8595580533229 | 54 |
| K0631-ND | 8595580533236 | 54 |
| K0633-ND | 8595580533243 | 54 |
| K1289-ND | 8595580533052 | 20 |
| K1714-ND | 8595580533496 | 38 |
| K1715-ND | 8595580533502 | 38 |
| K1727-ND | 8595580533519 | 41 |
| K1729-ND | 8595580533526 | 41 |
| K1941-ND | 8595580533557 | 42 |
| K1943-ND | 8595580533540 | 42 |
| K1963-ND | 8595580533564 | 96 |
| K2007-ND | 8595580539238 | 96 |
| K2008-ND | 8595580539269 | 95 |
| K2179K-ND | 8595580571245 | 60 |
| K2180K-ND | 8595580571252 | 60 |
| K2181K-ND | 8595580571269 | 60 |
| K2185-ND | 8595580542238 | 55 |
| K2197K-ND | 8595580571221 | 60 |
| K2198K-ND | 8595580571238 | 60 |
| K2205-ND | 8595580562212 | 88 |
| K2252-ND | 8595580543853 | 41 |
| K2253-ND | 8595580543860 | 42 |
| K4711-ND | 8595580580193 | 96 |
| K4964-ND | 8595580580001 | 30 |
| M0005-ND | 8595580533014 | 6 |
| M0017C-ND | 8595580551087 | 6 |
| M0018-ND | 8595580533076 | 48 |
| M0019-ND | 8595580537166 | 48 |
| M0020B-ND | 8595580536367 | 48 |
| M0021-ND | 8595580536374 | 8 |
| M0023-ND | 8595580536381 | 5 |
| M0026-ND | 8595580536398 | 8 |

| | | |
|-----------|---------------|----|
| M0028-ND | 8595580533083 | 8 |
| M0029-ND | 8595580533090 | 9 |
| M0037-ND | 8595580533106 | 39 |
| M0038-ND | 8595580533113 | 39 |
| M0039-ND | 8595580533120 | 7 |
| M0041-ND | 8595580533137 | 38 |
| M0042-ND | 8595580533144 | 39 |
| M0043B-ND | 8595580533151 | 6 |
| M0044-ND | 8595580533168 | 39 |
| M0046-ND | 8595580533182 | 8 |
| M0080-ND | 8595580533250 | 6 |
| M0200K-ND | 8595580567569 | 8 |
| M0243-ND | 8595580533298 | 6 |
| M0506-ND | 8595580533311 | 6 |
| M0507-ND | 8595580533328 | 6 |
| M0510-ND | 8595580533335 | 41 |
| M0532-ND | 8595580539870 | 41 |
| M0552-ND | 8595580533342 | 38 |
| M0553-ND | 8595580533359 | 38 |
| M0555-ND | 8595580533366 | 38 |
| M0566B-ND | 8595580533373 | 38 |
| M0582-ND | 8595580533380 | 38 |
| M0587-ND | 8595580533397 | 38 |
| M0599-ND | 8595580533403 | 41 |
| M0601-ND | 8595580572037 | 6 |
| M0603-ND | 8595580533410 | 6 |
| M0604-ND | 8595580533427 | 6 |
| M0609-ND | 8595580533434 | 48 |
| M0612-ND | 8595580533441 | 6 |
| M0613-ND | 8595580533458 | 6 |
| M0615-ND | 8595580533465 | 6 |
| M0673-ND | 8595580533571 | 41 |
| M0676-ND | 8595580533601 | 41 |
| M0693-ND | 8595580533618 | 42 |
| M0700-ND | 8595580531263 | 28 |
| M0745K-ND | 8595580533656 | 32 |
| M0884-ND | 8595580533663 | 24 |
| M0884V-ND | 8595580539931 | 24 |
| M1522A-ND | 8595580533274 | 28 |
| M1577-ND | 8595580549435 | 41 |
| M1578-ND | 8595580554460 | 41 |
| M1579-ND | 8595580554477 | 42 |
| M1580-ND | 8595580549046 | 42 |
| M1597L-ND | 8595580545987 | 39 |
| M1597M-ND | 8595580546007 | 39 |
| M1597Z-ND | 8595580545994 | 39 |
| M1598B-ND | 8595580545871 | 39 |
| M1598C-ND | 8595580546021 | 39 |
| M1598L-ND | 8595580545888 | 39 |
| M1598M-ND | 8595580545895 | 39 |
| M1598Z-ND | 8595580545901 | 39 |
| M1599B-ND | 8595580545918 | 39 |
| M1599C-ND | 8595580545925 | 39 |
| M1599M-ND | 8595580545932 | 39 |

| | | |
|-------------------|---------------|----|
| M1600B-ND | 8595580545949 | 39 |
| M1600C-ND | 8595580545956 | 39 |
| M1600L-ND | 8595580545963 | 39 |
| M1600M-ND | 8595580545970 | 39 |
| M1600Z-ND | 8595580546014 | 39 |
| M1670-ND | 8595580539856 | 10 |
| M1671-ND | 8595580539863 | 10 |
| M9030-ND | 8595580522421 | 30 |
| M9031-ND | 8595580522438 | 28 |
| M903-ND | 8595580501877 | 8 |
| M905-ND | 8595580501884 | 7 |
| M915-ND | 8595580501921 | 11 |
| M916-ND | 8594045939125 | 10 |
| M935-ND | 8595580528584 | 23 |
| M936-ND | 8595580528591 | 23 |
| M952D-ND | 8595580551285 | 15 |
| M952-ND | 8595580551070 | 37 |
| M954-ND | 8595580551155 | 6 |
| M955-ND | 8595580551162 | 15 |
| M956-ND | 8595580551186 | 8 |
| M958-ND | 8595580551209 | 19 |
| M959-ND | 8595580551247 | 6 |
| M961-ND | 8595580551254 | 19 |
| M967-ND | 8595580568740 | 11 |
| M969-ND | 8595580572204 | 21 |
| M970-ND | 8595580572235 | 11 |
| M971-ND | 8595580580421 | 30 |
| MN0025-ND | 8595580543839 | 52 |
| MN0035-ND | 8595580545550 | 41 |
| MN0050-ND | 8595580543846 | 64 |
| MN0082-ND | 8595580547219 | 19 |
| MN0091-ND | 8595580551124 | 6 |
| MN0092C-ND | 8595580551131 | 6 |
| MN0092-ND | 8595580551230 | 7 |
| MN0101-ND | 8595580551278 | 39 |
| MN0102C-DLOUHY-ND | 8595580551117 | 37 |
| MN0102C-ND | 8595580551100 | 37 |
| MN0114-ND | 8595580551094 | 39 |
| MN0115-ND | 8595580551179 | 6 |
| MN0116-ND | 8595580551223 | 19 |
| MN0118-ND | 8595580551148 | 37 |
| MN0121C-ND | 8595580551261 | 37 |
| MN0359A-ND | 8595580566050 | 37 |
| MN0503-ND | 8595580560393 | 37 |
| MN0536-ND | 8595580565282 | 15 |
| MN0537A-ND | 8595580565299 | 15 |
| MN0867-ND | 8595580572006 | 6 |
| MN0895-ND | 8595580572488 | 38 |
| MPV005 | 8595580507633 | 69 |
| MPV006 | 8595580507657 | 69 |
| MPV007 | 8595580507671 | 69 |
| MPV008 | 8595580530679 | 69 |
| MPV009 | 8595580530686 | 69 |
| MS0015-ND | 8595580533724 | 49 |

| | | |
|------------|---------------|----|
| MS0018C-ND | 8595580551216 | 19 |
| MS0018-ND | 8595580533731 | 23 |
| MS0022-ND | 8595580533748 | 49 |
| MS0023-ND | 8595580533755 | 49 |
| MS0025-ND | 8595580533762 | 22 |
| MS0028-ND | 8595580545444 | 22 |
| MS0031-ND | 8595580545451 | 22 |
| MS0037-ND | 8595580533786 | 23 |
| MS0060-ND | 8595580512590 | 49 |
| MS0070-ND | 8595580533809 | 19 |
| MS0080-ND | 8595580533816 | 49 |
| MS0084-ND | 8595580533823 | 49 |
| MS0085-ND | 8595580533830 | 49 |
| MS0095-ND | 8595580533847 | 49 |
| N0006-ND | 8595580533854 | 44 |
| N0016-ND | 8595580533861 | 43 |
| N0022-ND | 8595580533885 | 4 |
| N0023-ND | 8595580533892 | 43 |
| N0031-ND | 8595580536909 | 44 |
| N0039-ND | 8595580533908 | 44 |
| N0088-ND | 8595580533915 | 44 |
| N0113-ND | 8595580533922 | 44 |
| N0125-ND | 8595580533939 | 43 |
| N0150-ND | 8595580572457 | 19 |
| N0163-ND | 8595580571276 | 43 |
| N0164-ND | 8595580571283 | 43 |
| N0165-ND | 8595580571290 | 43 |
| N0166-ND | 8595580571306 | 43 |
| N0167-ND | 8595580571313 | 43 |
| N0168-ND | 8595580571320 | 43 |
| N0169-ND | 8595580571337 | 43 |
| N0170-ND | 8595580571344 | 43 |
| N0171-ND | 8595580571351 | 43 |
| N0172-ND | 8595580571368 | 43 |
| P0001-ND | 8595580535001 | 46 |
| P0002-ND | 8595580535018 | 46 |
| P0003-ND | 8594045932492 | 45 |
| P0004-ND | 8595580536787 | 46 |
| P0008-ND | 8595580536947 | 4 |
| P0011-ND | 8595580535025 | 46 |
| P0012-ND | 8594045934342 | 4 |
| P0019-ND | 8594045934359 | 4 |
| P0020-ND | 8595580539078 | 52 |
| P0021-ND | 8595580539108 | 52 |
| P0033-ND | 8595580546366 | 44 |
| P0034-ND | 8594045930511 | 45 |
| P0035-ND | 8594045938715 | 44 |
| P0036-ND | 8595580539085 | 44 |
| P0037-ND | 8594045930757 | 5 |
| P0038-ND | 8594045930764 | 5 |
| P0039B-ND | 8595580550400 | 5 |
| P0039-ND | 8594045930788 | 5 |
| P0040-ND | 8595580535032 | 5 |
| P0041-ND | 8594045932423 | 5 |

| | | |
|----------------|---------------|----|
| P0042-ND | 8594045932430 | 5 |
| P0043-ND | 8595580535049 | 5 |
| P0044-ND | 8595580535056 | 5 |
| P0045-ND | 8595580531935 | 5 |
| P0050-ND | 8595580535063 | 85 |
| P0072-ND | 8595580539115 | 74 |
| P054-ND | 8595580502041 | 78 |
| P061-ND | 8595580502843 | 4 |
| P064-ND | 8595580514242 | 5 |
| P065-ND | 8595580512088 | 60 |
| P069-ND | 8595580539139 | 74 |
| P070-ND | 8595580524609 | 5 |
| P073-ND | 8595580539122 | 5 |
| P074-ND | 8595580524616 | 5 |
| P075-ND | 8595580524623 | 5 |
| P078-ND | 8595580539177 | 75 |
| P079-ND | 8595580539146 | 74 |
| P084-ND | 8595580539160 | 5 |
| P088-ND | 8595580531096 | 5 |
| P094-ND | 8595580532710 | 76 |
| P099-ND | 8595580536213 | 60 |
| P107-ND | 8595580545109 | 4 |
| P108-ND | 8595580545116 | 4 |
| P110-ND | 8595580548223 | 53 |
| P111L-ND | 8595580548209 | 53 |
| P111P-ND | 8595580548216 | 53 |
| P111S-ND | 8595580548230 | 53 |
| P112-ND | 8595580548711 | 61 |
| P116-ND | 8595580550820 | 32 |
| P117-ND | 8595580551353 | 53 |
| P121-ND | 8595580552930 | 57 |
| P122-ND | 8595580552947 | 57 |
| P124-ND | 8595580554187 | 68 |
| P131-ND | 8595580558505 | 32 |
| P139-ND | 8595580560065 | 83 |
| P140-ND | 8595580560072 | 73 |
| P141-ND | 8595580560416 | 62 |
| P146-ND | 8595580562472 | 37 |
| P165-ND | 8595580566784 | 6 |
| P167-ND | 8595580568108 | 6 |
| P168-ND | 8595580568153 | 6 |
| P171-BLACK-ND | 8595580580070 | 88 |
| P171-B-ND | 8595580580087 | 88 |
| P171-ND | 8595580569402 | 88 |
| P172-ND | 8595580570750 | 73 |
| P175-ND | 8595580571375 | 11 |
| P176-ND | 8595580572013 | 6 |
| P177-ND | 8595580572471 | 38 |
| P178-ND | 8595580572464 | 38 |
| S0003-ND | 8595580533946 | 71 |
| S0004-ND | 8595580536855 | 71 |
| S0005-L1000-ND | 8595580558758 | 86 |
| S0006-ND | 8595580536749 | 4 |
| S0007-ND | 8595580536879 | 86 |

| | | |
|----------------|---------------|----|
| S0008-ND | 8595580536893 | 71 |
| S0009-ND | 8595580536404 | 71 |
| S0012-ND | 8595580533953 | 4 |
| S0013-ND | 8594045934106 | 4 |
| S0014-ND | 8595580539092 | 71 |
| S0015-ND | 8595580536961 | 86 |
| S0016-ND | 8595580536411 | 84 |
| S0017-ND | 8595580536886 | 88 |
| S0030-ND | 8595580536718 | 80 |
| S0031-ND | 8595580536701 | 79 |
| S0032-ND | 8595580533960 | 7 |
| S0034-ND | 8595580533977 | 5 |
| S0035-ND | 8595580533984 | 5 |
| S0036K-ND | 8595580522452 | 5 |
| S0036-ND | 8595580562328 | 5 |
| S0053-ND | 8595580533991 | 81 |
| S0054-ND | 8595580535742 | 81 |
| S0055-ND | 8595580534004 | 81 |
| S0061A-ND | 8595580543952 | 5 |
| S0061-ANTIC-ND | 8595580543969 | 5 |
| S0061-ND | 8595580534028 | 5 |
| S0065-ND | 8595580534035 | 78 |
| S0074-ND | 8595580537289 | 72 |
| S0079-ND | 8595580534042 | 72 |
| S0082-ND | 8595580536428 | 73 |
| S0084-ND | 8595580534059 | 72 |
| S0085-ND | 8595580536435 | 71 |
| S0090-ND | 8595580536442 | 74 |
| S0100-ND | 8595580536459 | 71 |
| S0103-ND | 8595580534066 | 72 |
| S0109-ND | 8595580534073 | 71 |
| S0115-ND | 8595580536954 | 4 |
| S0116-ND | 8594045934144 | 4 |
| S0120-ND | 8595580536848 | 87 |
| S0121-ND | 8595580534080 | 87 |
| S0133-ND | 8595580565312 | 96 |
| S0160-ND | 8595580534097 | 72 |
| S0168-ND | 8595580536732 | 4 |
| S0183-ND | 8595580536657 | 81 |
| S0221-ND | 8594045935233 | 5 |
| S0236-ANTIC-ND | 8595580543921 | 5 |
| S0236-BLACK-ND | 8595580559410 | 5 |
| S0237-ANTIC-ND | 8595580543938 | 72 |
| S0237-BLACK-ND | 8595580559427 | 72 |
| S0237-ND | 8595580534103 | 72 |
| S0281-BLACK-ND | 8595580565688 | 81 |
| S0281-ND | 8595580534110 | 5 |
| S0309-ND | 8595580536862 | 84 |
| S0316-ND | 8595580542245 | 4 |
| S0317-ND | 8595580534127 | 83 |
| S0321-ND | 8595580534134 | 4 |
| S0323-ND | 8595580536800 | 85 |
| S0327-ND | 8595580534141 | 92 |
| S0335-ND | 8595580536794 | 72 |

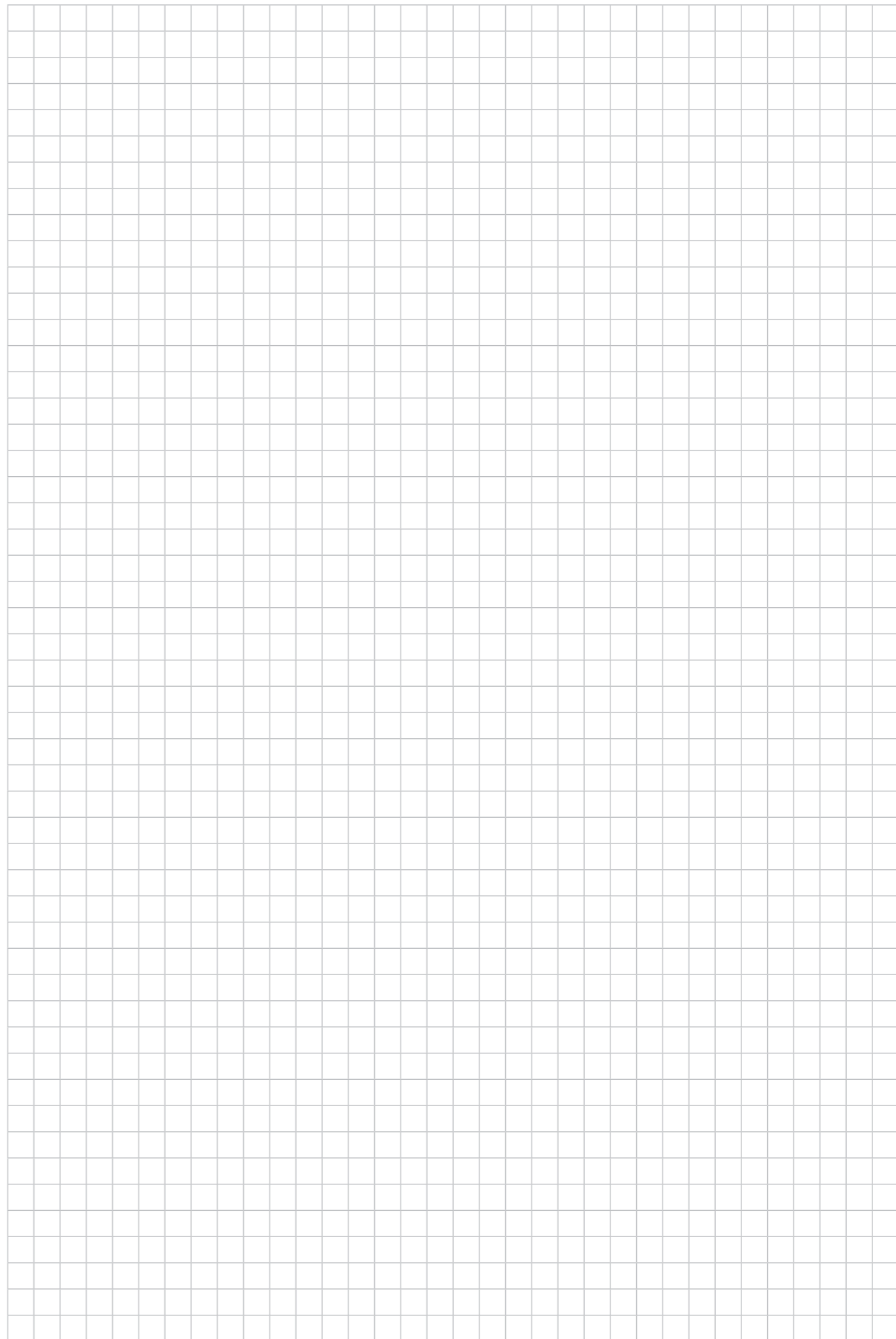
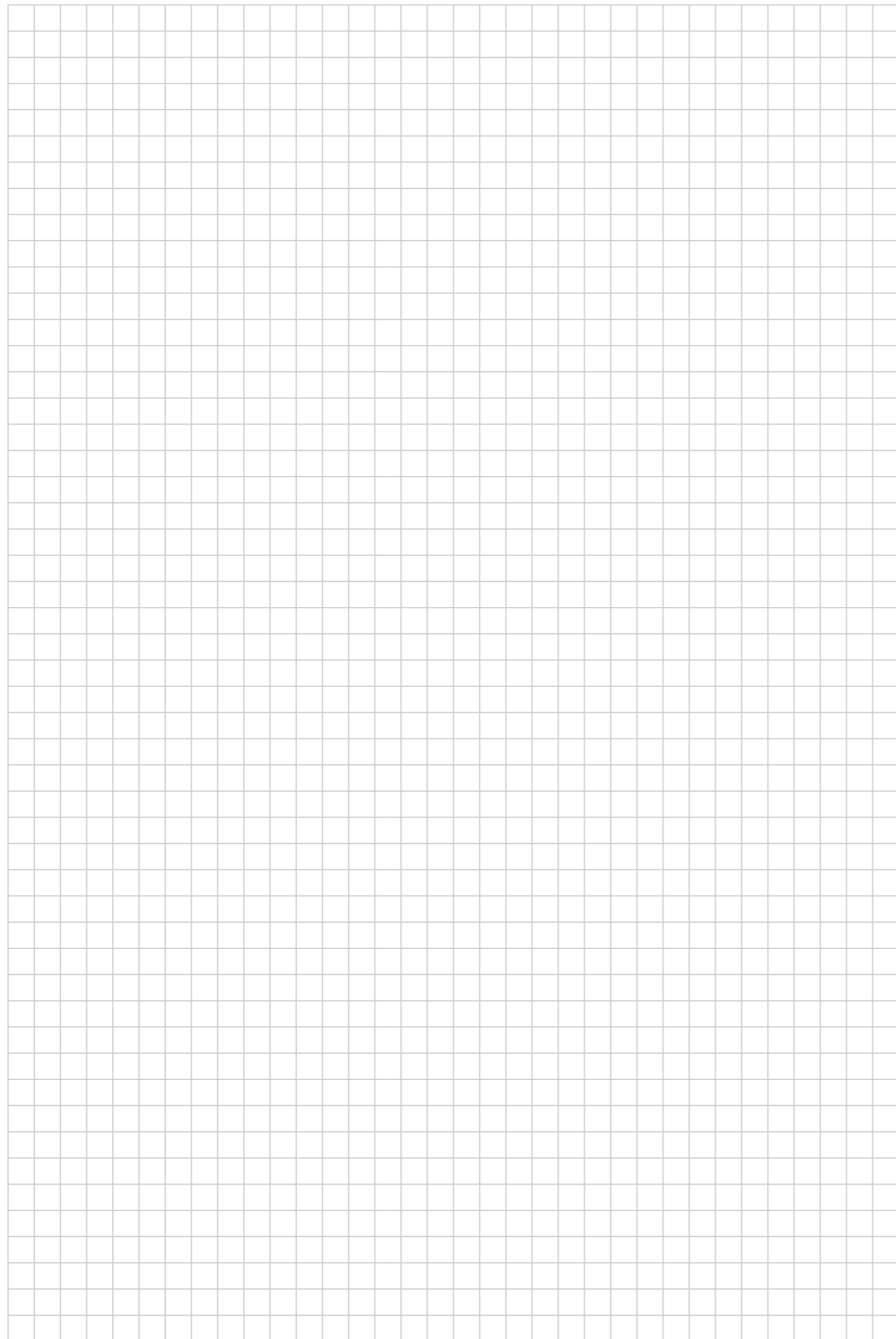
| | | |
|----------------|---------------|----|
| S0336-ND | 8595580534158 | 86 |
| S0337-ND | 8595580534165 | 5 |
| S0338-ND | 8595580536992 | 5 |
| S0352-ND | 8595580534172 | 89 |
| S0355-ND | 8595580536824 | 89 |
| S0364-ND | 8595580534189 | 71 |
| S0365-ND | 8595580534196 | 4 |
| S0372-ND | 8595580534202 | 71 |
| S0373-ND | 8595580534219 | 80 |
| S0379-ND | 8595580535803 | 89 |
| S0380-ND | 8595580534226 | 94 |
| S0381-ND | 8595580536770 | 89 |
| S0384-ND | 8595580507428 | 4 |
| S0385-ND | 8595580512149 | 89 |
| S0388-ND | 8595580536541 | 89 |
| S0399-ND | 8595580534233 | 71 |
| S0400-ND | 8595580537029 | 69 |
| S0401-ND | 8595580537036 | 69 |
| S0436-ND | 8595580534240 | 5 |
| S0437-ND | 8595580535810 | 73 |
| S0440-ND | 8595580543747 | 73 |
| S0442-ND | 8595580539054 | 85 |
| S0445-ND | 8595580539894 | 76 |
| S0446-ND | 8595580534257 | 73 |
| S0447-ND | 8595580536725 | 73 |
| S0453-BLACK-ND | 8595580559465 | 73 |
| S0453-ND | 8595580534264 | 73 |
| S0454-ND | 8595580534271 | 73 |
| S0457-ND | 8595580534288 | 73 |
| S0460-BLACK-ND | 8595580559441 | 73 |
| S0460-ND | 8595580534295 | 73 |
| S0461-BLACK-ND | 8595580559458 | 73 |
| S0461-ND | 8595580534301 | 73 |
| S0511-ND | 8595580537272 | 88 |
| S0513-ND | 8595580534318 | 73 |
| S0514-ND | 8594045938708 | 88 |
| S0515-ND | 8595580534325 | 72 |
| S0516-ND | 8595580534332 | 78 |
| S0517-ND | 8595580534349 | 50 |
| S0525-ND | 8595580534356 | 73 |
| S0528BLACK-ND | 8595580562168 | 54 |
| S0528-ND | 8595580531829 | 54 |
| S0529BLACK-ND | 8595580562205 | 54 |
| S0529-ND | 8595580534363 | 54 |
| S0536-ND | 8595580534370 | 54 |
| S0542-ND | 8595580534387 | 94 |
| S0557-BLACK-ND | 8595580563585 | 75 |
| S0574-ND | 8595580537012 | 88 |
| S0647-ND | 8595580534400 | 69 |
| S0663BLACK-ND | 8595580562175 | 54 |
| S0663-ND | 8595580534417 | 54 |
| S0686-ND | 8595580534424 | 95 |
| S0687-ND | 8595580534431 | 95 |
| S0720-ND | 8595580534455 | 84 |

| | | |
|----------------|---------------|----|
| S0736-ND | 8595580535889 | 70 |
| S0741-ND | 8595580534462 | 70 |
| S0767-ND | 8595580548506 | 70 |
| S0788-ND | 8595580534493 | 74 |
| S0789-ND | 8595580537388 | 88 |
| S0816-ND | 8595580522445 | 88 |
| S0851-ND | 8595580547936 | 83 |
| S0852-ND | 8595580534011 | 5 |
| S0855-ND | 8595580534516 | 83 |
| S0859-ND | 8595580547226 | 84 |
| S0870-ND | 8595580533205 | 76 |
| S0871-ND | 8595580533199 | 76 |
| S0876-ND | 8595580548513 | 70 |
| S0879-ND | 8595580547660 | 83 |
| S0880-BLACK-ND | 8595580563578 | 75 |
| S0889-ND | 8595580534523 | 96 |
| S0899-ND | 8595580534530 | 93 |
| S0900-ND | 8595580539252 | 95 |
| S0901-ND | 8595580539245 | 95 |
| S0906-ND | 8595580534547 | 95 |
| S0915-ND | 8595580539214 | 95 |
| S0916-ND | 8595580539276 | 95 |
| S0918-ND | 8595580539184 | 76 |
| S0921-ND | 8595580534554 | 96 |
| S0938-ND | 8595580534561 | 95 |
| S0942-ND | 8595580539207 | 95 |
| S0945-ND | 8595580534578 | 72 |
| S0946-ND | 8595580534585 | 72 |
| S0949-ND | 8595580542054 | 88 |
| S0950-ND | 8595580542061 | 88 |
| S0952-ND | 8595580539191 | 76 |
| S0955-ND | 8595580539900 | 4 |
| S0956-ND | 8595580539917 | 4 |
| S0957-ND | 8595580539924 | 4 |
| S0965-ND | 8595580550318 | 72 |
| S0972-ND | 8595580558185 | 88 |
| S0973-ND | 8595580558161 | 88 |
| S0974-ND | 8595580543754 | 93 |
| S0975-ND | 8595580540005 | 76 |
| S0981-ND | 8595580541279 | 89 |
| S0982-BLACK-ND | 8595580564070 | 88 |
| S0982B-ND | 8595580546786 | 88 |
| S0982-ND | 8595580543761 | 88 |
| S0983-ND | 8595580543778 | 88 |
| S0985-ND | 8595580543792 | 88 |
| S0986-ND | 8595580543808 | 5 |
| S0993-ND | 8595580547240 | 88 |
| S1004B-ND | 8595580548889 | 87 |
| S1004-ND | 8595580548872 | 87 |
| S1010-ND | 8595580548896 | 87 |
| S1022-ND | 8595580554798 | 5 |
| S1025-ND | 8595580555191 | 72 |
| S1076-ANTIC-ND | 8595580555900 | 72 |
| S1076-BLACK-ND | 8595580559403 | 5 |

| | | |
|------------------|---------------|----|
| S1076-ND | 8595580555917 | 5 |
| S1095-ND | 8595580554729 | 5 |
| S1113-ND | 8595580554767 | 5 |
| S1182-ND | 8595580568122 | 71 |
| S1184-ND | 8595580571382 | 84 |
| S1383-ND | 8595580562373 | 88 |
| S1402-ND | 8595580564032 | 73 |
| S1403-ND | 8595580564049 | 88 |
| S1404-ND | 8595580564056 | 73 |
| S1425A-ND | 8595580574031 | 73 |
| S1425-BLACK-ND | 8595580568115 | 73 |
| S1513-ND | 8595580565985 | 96 |
| S1521-ND | 8595580568603 | 4 |
| S1522-ND | 8595580568610 | 5 |
| S1523-ND | 8595580565350 | 4 |
| S1530-ND | 8595580565831 | 88 |
| S1542-ND | 8595580568092 | 88 |
| S1544-ND | 8595580571399 | 92 |
| S1566-ND | 8595580574413 | 73 |
| S1567-ND | 8595580574420 | 73 |
| S1586-ND | 8595580580247 | 95 |
| SHADE-1050 | 8595580546687 | 58 |
| SHADE-650 | 8595580546694 | 58 |
| SHADE-750 | 8595580546700 | 58 |
| SHADE-850 | 8595580546717 | 58 |
| SHADE-950 | 8595580546724 | 58 |
| SP201BLACK-ND | 8595580562229 | 54 |
| SP201-ND | 8595580502331 | 54 |
| SP203BLACK-ND | 8595580562182 | 54 |
| SP203-ND | 8595580504694 | 54 |
| SP207-ND | 8595580534592 | 54 |
| SP208-ND | 8595580534608 | 54 |
| SPZ12 KOMBI-ND | 8595580548667 | 61 |
| TWIN-1050 | 8595580546632 | 58 |
| TWIN-650 | 8595580546649 | 58 |
| TWIN-750 | 8595580546656 | 58 |
| TWIN-850 | 8595580546663 | 58 |
| TWIN-950 | 8595580546670 | 58 |
| V0001-ND | 8595580534615 | 46 |
| V0009-ND | 8595580534622 | 46 |
| V0010-ND | 8595580534639 | 46 |
| V0011B-ND | 8594045930283 | 46 |
| V0013-ND | 8595580534646 | 46 |
| V0014-ND | 8594045932447 | 46 |
| V0016-ND | 8595580536831 | 46 |
| V0019-ND | 8595580534653 | 46 |
| V0020 M6X65 A-ND | 8595580535131 | 4 |
| V0020 M6X80 A-ND | 8595580535148 | 4 |
| V0020 M6X80 B-ND | 8595580535186 | 4 |
| V0020 M8X65 A-ND | 8595580535155 | 4 |
| V0020 M8X80 A-ND | 8595580535162 | 4 |
| V0020 M8X80 B-ND | 8595580535179 | 4 |
| V0021-ND | 8595580534660 | 50 |
| V0022-ND | 8595580534677 | 50 |

| | | |
|----------------|---------------|----|
| V0023-ND | 8595580536633 | 50 |
| V0024-ND | 8595580534684 | 47 |
| V0032-ND | 8595580534691 | 46 |
| V0037-ND | 8595580534707 | 46 |
| V0038-ND | 8595580534714 | 46 |
| V0056-ND | 8594045932157 | 4 |
| V0058-ND | 8594045936742 | 4 |
| V0060-ND | 8595580507800 | 4 |
| V0072-ND | 8595580534721 | 46 |
| V0087-ND | 8595580534738 | 47 |
| V0088-ND | 8594045939132 | 4 |
| V0094-ND | 8595580534745 | 4 |
| V0096-ND | 8595580534752 | 47 |
| V0119-ND | 8595580534776 | 50 |
| V0121-ND | 8595580536589 | 50 |
| V0122-ND | 8595580536671 | 50 |
| V0146-ND | 8595580534783 | 47 |
| V0156-ND | 8595580534790 | 46 |
| V0173-ND | 8595580534806 | 48 |
| V0229-ND | 8595580534813 | 47 |
| V0233-ND | 8595580534820 | 47 |
| V0235-ND | 8595580534837 | 47 |
| V0303-ND | 8595580548766 | 48 |
| Z0002-ND | 8594045936544 | 4 |
| Z0005-ND | 8595580547233 | 4 |
| Z0007-ND | 8595580539061 | 5 |
| Z0012-ND | 8595580522391 | 52 |
| Z0013-ND | 8595580536640 | 5 |
| Z0014-ND | 8595580534851 | 52 |
| Z0015-ND | 8595580534868 | 52 |
| Z0023-ND | 8595580534875 | 52 |
| Z0024-ND | 8595580534882 | 52 |
| Z0034-ND | 8595580522407 | 54 |
| Z0036-ND | 8595580536046 | 97 |
| Z0044-ND | 8595580534899 | 52 |
| Z0047-ND | 8595580534905 | 52 |
| Z0048-ND | 8595580536053 | 52 |
| Z0069-ND | 8595580536664 | 52 |
| Z0073KARTUS-ND | 8595580548704 | 4 |
| Z0108-ND | 8595580534912 | 54 |
| Z0216-ND | 8595580534929 | 60 |
| Z0232-ND | 8595580522414 | 60 |
| Z0234-ND | 8595580552923 | 60 |
| Z0262-ND | 8595580568290 | 55 |
| Z0263-ND | 8595580535124 | 55 |
| Z0317-ND | 8595580534936 | 60 |
| Z0318-ND | 8595580534943 | 60 |
| Z0319-ND | 8595580534950 | 60 |
| Z0320-ND | 8595580534967 | 60 |
| Z0321-ND | 8595580534974 | 60 |
| Z0322-ND | 8595580534981 | 60 |
| Z0631-ND | 8595580534998 | 58 |
| Z0641-ND | 8595580548193 | 53 |
| Z0646-ND | 8595580542252 | 4 |

| | | |
|---------------|---------------|----|
| Z0648-ND | 8595580548520 | 53 |
| Z0653-ND | 8595580548544 | 53 |
| Z0654-ND | 8595580548537 | 53 |
| Z0694BRASS-ND | 8595580577254 | 60 |
| Z0694-ND | 8595580539023 | 60 |
| Z0695BRASS-ND | 8595580577261 | 60 |
| Z0695-ND | 8595580539030 | 60 |
| Z0696BRASS-ND | 8595580577278 | 60 |
| Z0696-ND | 8595580539047 | 60 |
| Z0745-ND | 8595580539948 | 60 |
| Z0746-ND | 8595580539955 | 60 |
| Z0747-ND | 8595580539962 | 60 |
| Z0748-ND | 8595580539979 | 60 |
| Z0749BRASS-ND | 8595580577285 | 60 |
| Z0749-ND | 8595580539986 | 60 |
| Z0750BRASS-ND | 8595580577292 | 60 |
| Z0750-ND | 8595580539993 | 60 |
| Z0757-ND | 8595580548773 | 61 |
| Z0782-ND | 8595580543822 | 64 |
| Z0789-ND | 8595580545536 | 55 |
| Z0909-ND | 8595580548551 | 53 |
| Z0914-ND | 8595580548568 | 53 |
| Z0915-ND | 8595580548575 | 53 |
| Z0928-ND | 8595580548582 | 53 |
| Z0989-ND | 8595580552817 | 57 |
| Z0994-ND | 8595580548919 | 64 |
| Z1000-ND | 8595580548902 | 64 |
| Z1020-ND | 8595580552855 | 57 |
| Z1021-ND | 8595580552879 | 57 |
| Z1022-ND | 8595580552992 | 57 |
| Z1023-ND | 8595580552824 | 57 |
| Z1024-ND | 8595580552831 | 57 |
| Z1025-ND | 8595580552848 | 57 |
| Z1027-ND | 8595580552862 | 57 |
| Z1127-ND | 8595580552886 | 57 |
| Z1239-ND | 8595580558451 | 60 |
| Z1240-ND | 8595580558468 | 60 |
| Z1241-ND | 8595580558475 | 60 |
| Z1242-ND | 8595580558482 | 60 |
| Z1243-ND | 8595580558499 | 60 |
| Z1371-ND | 8595580562199 | 54 |
| Z1376-ND | 8595580580544 | 54 |
| Z1431-ND | 8595580568368 | 57 |
| Z1480-ND | 8595580568252 | 57 |
| Z1581-ND | 8595580570811 | 56 |
| Z1582-ND | 8595580570828 | 56 |
| Z1583-ND | 8595580570835 | 56 |
| Z1584-ND | 8595580570842 | 56 |
| Z1585-ND | 8595580570859 | 56 |
| Z1586-ND | 8595580570866 | 56 |
| Z1587-ND | 8595580572624 | 56 |
| Z1588-ND | 8595580572631 | 56 |



alca GROUP

alcadrain

Szsaniter berendezés

Cseh Köztársaság
Alcadrain s.r.o.
Komunardů 1626/35
170 00 Praha 7 – Holešovice
T: +420 519 821 117 – Sales Dept. CZ
T: +420 519 821 041 – Export Dept.
alcadrain@alcadrain.cz
www.alcadrain.cz

Magyarország
Alcadrain HU Kft.
Báthori István u. 24/C, 2900 Komárom
T: +36 34346031
T: +36 20 3815782
alcadrain@alcadrain.hu
www.alcadrain.hu

alcapipe

Csővezeték rendszerek

Cseh Köztársaság
FV – Plast, a.s.
Kozovazská 1049/3
250 88 Čelákovice
T: +420 326 706 711
fv-plast@fv-plast.cz
www.fv-plast.com

alcafix

Fal rendszerek

Cseh Köztársaság
Alcadrain s.r.o.
Komunardů 1626/35
170 00 Praha 7 – Holešovice
alcafix@alcafix.cz
www.alcafix.com

Az gyár szakértői csoportja mindig készen áll segítséget nyújtani a tervezés, beépítés, illetve termékeink projektárának megállapítása során.



Cseh gyártó, ISO 9001:2015
Edition 1/2022/2023 HU, © Alcadrain s.r.o.
Fenntartjuk a jogot a termékek kivitelének és méreteinek módosítására.